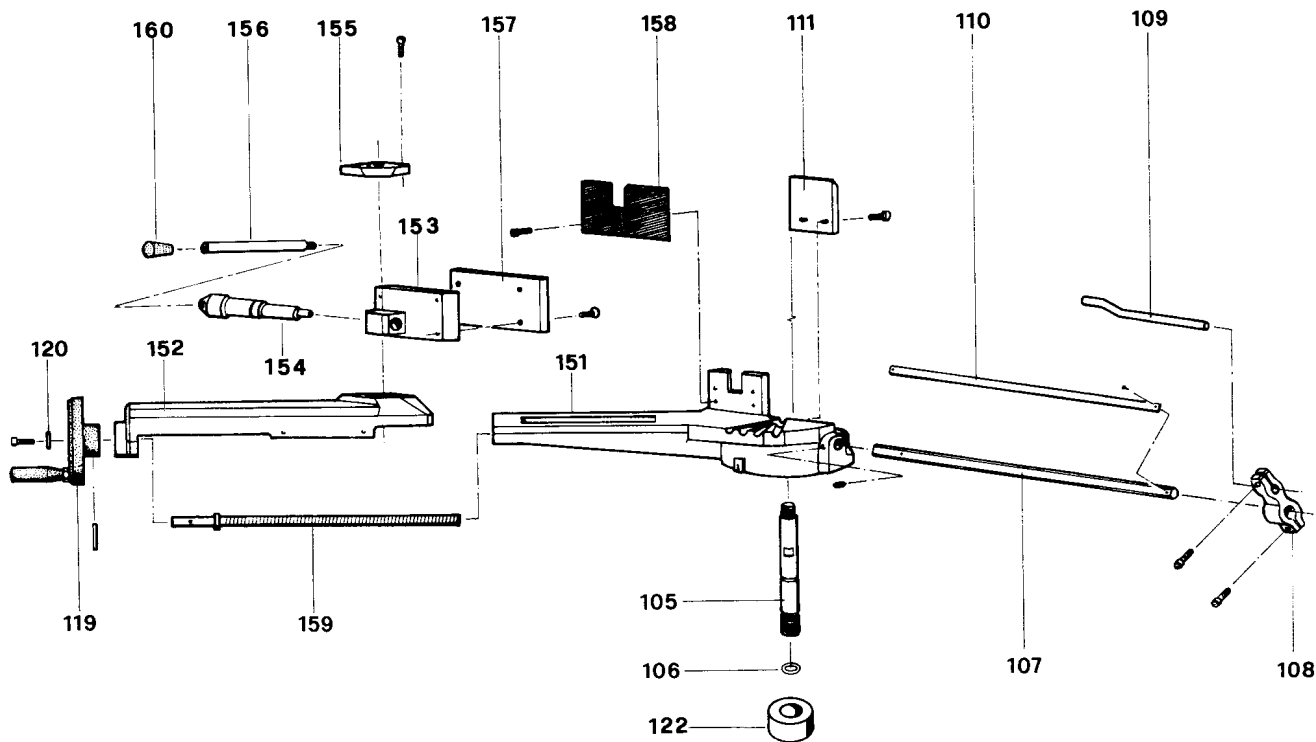


INCLINED VICE ASSEMBLY



| REF.NR. | DESCRIPTION | CODE |
|---------|-------------|------|
|---------|-------------|------|

| | | |
|-----|----------------------------|----------|
| 105 | Revolving arm lock.pin. | AFA40019 |
| 106 | OR ring 4081 | 86002004 |
| 107 | Bar stop rod | AFB80024 |
| 108 | Bar stop body | AG660047 |
| 109 | Bar stop push rod | AFC40109 |
| 110 | Bar stop rod scale | AHB80026 |
| 111 | Countervise r.h. jaw | AGA40037 |
| 119 | Vice handwheel | 44116418 |
| 120 | Washer | 82100000 |
| 122 | Revol.arm lock. bushing | AFB80032 |

| REF.NR. | DESCRIPTION | CODE |
|---------|-------------|------|
|---------|-------------|------|

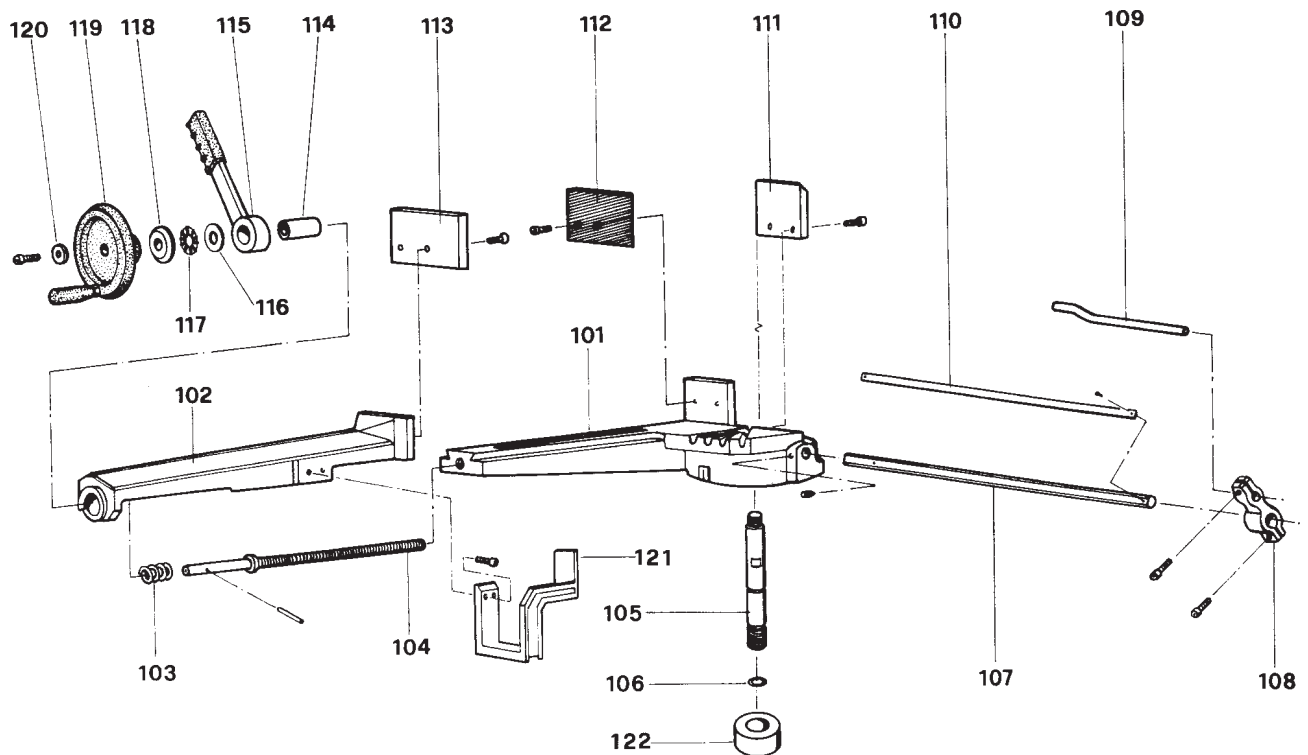
| | | |
|-----|----------------------------|----------|
| 151 | Inclined countervise | AGA40007 |
| 152 | Inclined vice | AGA40008 |
| 153 | Quick lock support..... | AG750053 |
| 154 | Locking cam | AF750055 |
| 155 | Plate on vice | AF750056 |
| 156 | Quick lock handle | AF750059 |
| 157 | Inclined vice jaw | AFA40054 |
| 158 | Inclined c.vice jaw | AFA40052 |
| 159 | Inclined vice screw | AFA40057 |
| 160 | Handgrip | 44111512 |

- List of spare parts SAR 270

BEDPLATE ASSEMBLY

| REF.NR. | DESCRIPTION | CODE | REF.NR. | DESCRIPTION | CODE |
|---------|-------------------------|----------|---------|------------------------|----------|
| 01 | Bedplate | 010A0005 | 12 | Pump | 88140002 |
| 02 | Arm locking lever | 120A0001 | 13 | NILOS ring 32010 | 86005005 |
| 03 | Bushing | AFB80012 | 14 | Bearing 32010 X | 84320047 |
| 04 | Lever grip | ANA40023 | 15 | Eccentric bush | 080A0003 |
| 05 | | | 16 | GUK nut M 45 | 81700045 |
| 06 | Regulator | 88900004 | 17 | Revolving arm | 020A0001 |
| 07 | Roller arm | E20A0004 | 18 | Electric box | 170E0011 |
| 08 | Roller | 49001001 | 19 | Bearing 32009 X | 84320039 |
| 09 | OR ring 4081 | 86002004 | 20 | NILOS ring 32009 | 86005005 |
| 10 | Revolving arm pin | AFA40019 | | | |
| 11 | Crucible | 180A0005 | | | |

STRAIGHT VICE ASSEMBLY



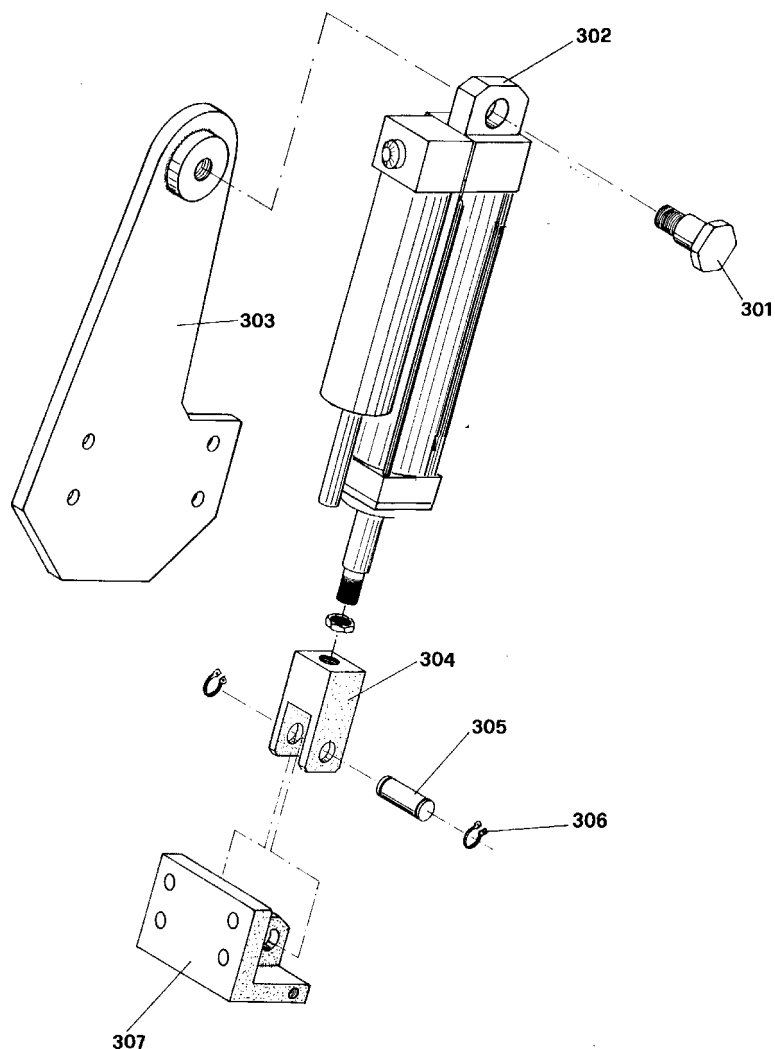
| REF.NR. | DESCRIPTION | CODE |
|---------|-------------|------|
|---------|-------------|------|

| | | |
|-----|----------------------------|----------|
| 101 | Straight countervice | AGA40070 |
| 102 | Straight vice | AGA40071 |
| 103 | Quick locking vice spring | AFB80035 |
| 104 | Straight vice screw | AFA40091 |
| 105 | Pin | AFA40019 |
| 106 | OR ring 4081 | 86002004 |
| 107 | Bar stop rod | AFB80024 |
| 108 | Bar stop body | AG660047 |
| 109 | Bar stop push rod | AFC40109 |
| 110 | Bar stop rod scale | AHB80026 |
| 111 | Countervice r.h. jaw | AGA40037 |

| REF.NR. | DESCRIPTION | CODE |
|---------|-------------|------|
|---------|-------------|------|

| | | |
|-----|----------------------------|----------|
| 112 | 90° countervice jaw | AFA40074 |
| 113 | 90° vice jaw | AFA40072 |
| 114 | Quick lock vice bush | AFB80032 |
| 115 | Quick lock vice lever | AGB80031 |
| 116 | Fifth wheel AX 30 47+ | |
| 117 | Bearing CP 30 47 | 84500001 |
| 118 | Washer | AFB80033 |
| 119 | Vice handwheel | 44116418 |
| 120 | Washer | 82100000 |
| 121 | Anti-burr plate | AFA40076 |
| 122 | Arm locking bushing | AFB80012 |

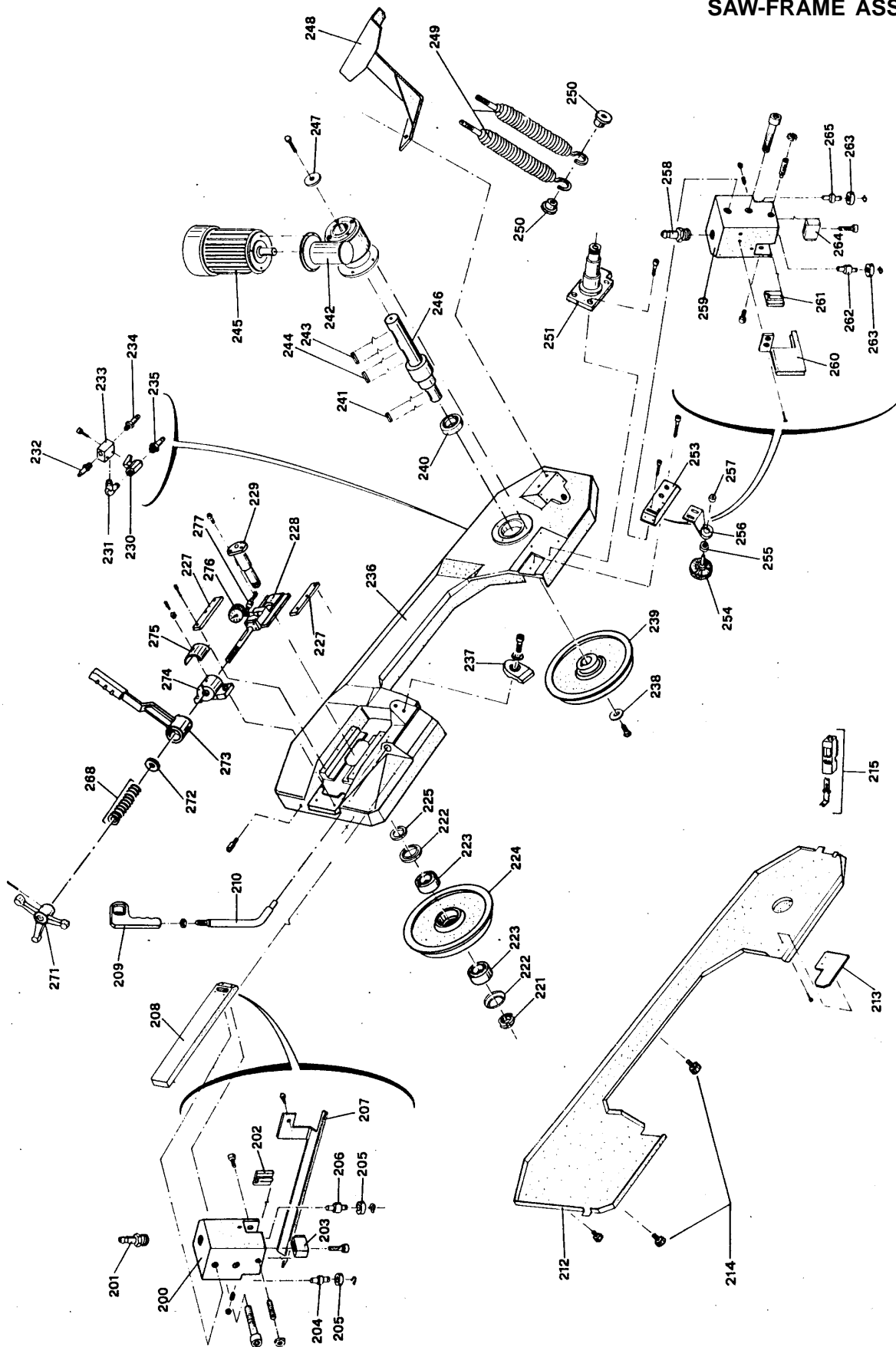
BRAKE ASSEMBLY

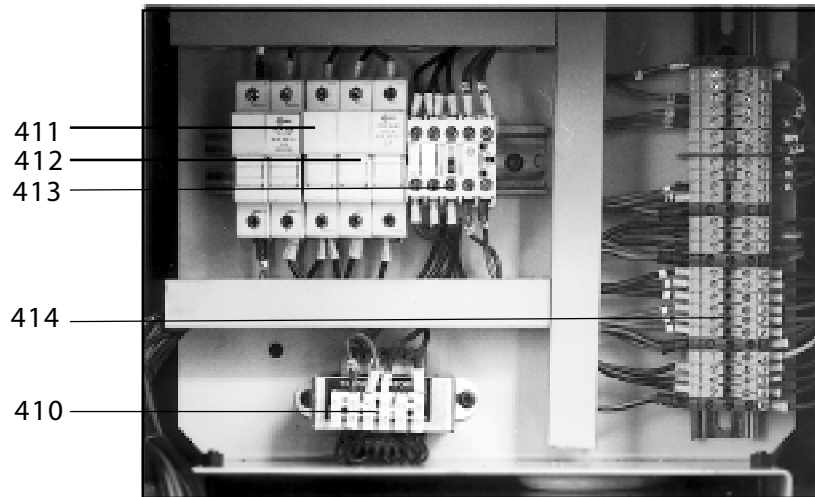


| REF.NR. | DESCRIPTION | CODE |
|---------|-------------|------|
|---------|-------------|------|

| | | |
|-----|-----------------------------|----------|
| 301 | Cylinder articulation | 080H0004 |
| 302 | Brake cylinder | 200H0004 |
| 303 | Plate | 110H0005 |
| 304 | Cylinder fork | 110H0004 |
| 305 | Cylinder pin | AF880080 |
| 306 | Seeger ring Ø 20 | 82600000 |
| 307 | Cylinder bracket | 110A0001 |

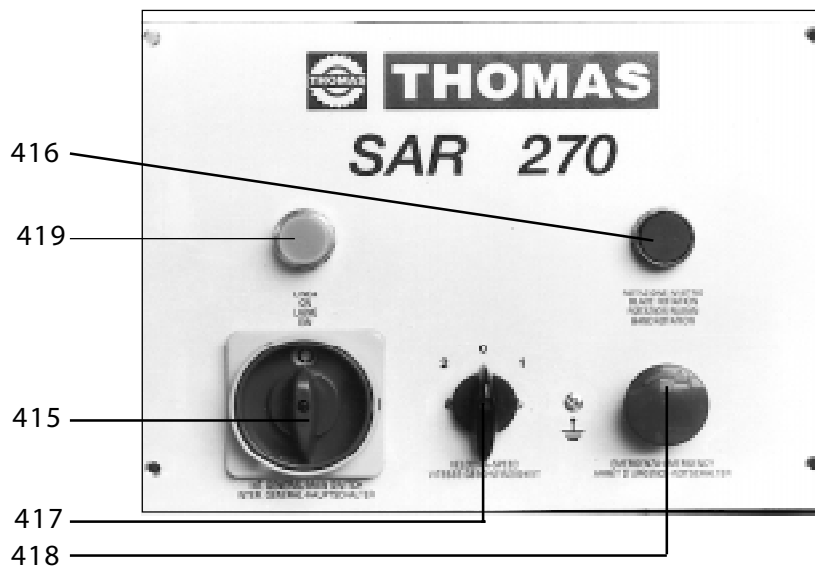
SAW-FRAME ASSEMBLY





KEY

- 410 Transformer 73327011
- 411 Fuse-holder 73142005
- 412 Fuse-holder 73142005
- 413 Remote control switch 73401001
- 414 Terminal board 68303012



KEY

- 415 Main switch 70201000
- 416 Start push-button 70101000
- 417 Speed selector 70201015
- 418 Emergency push-button 70101000
- 419 Warning light 70651000