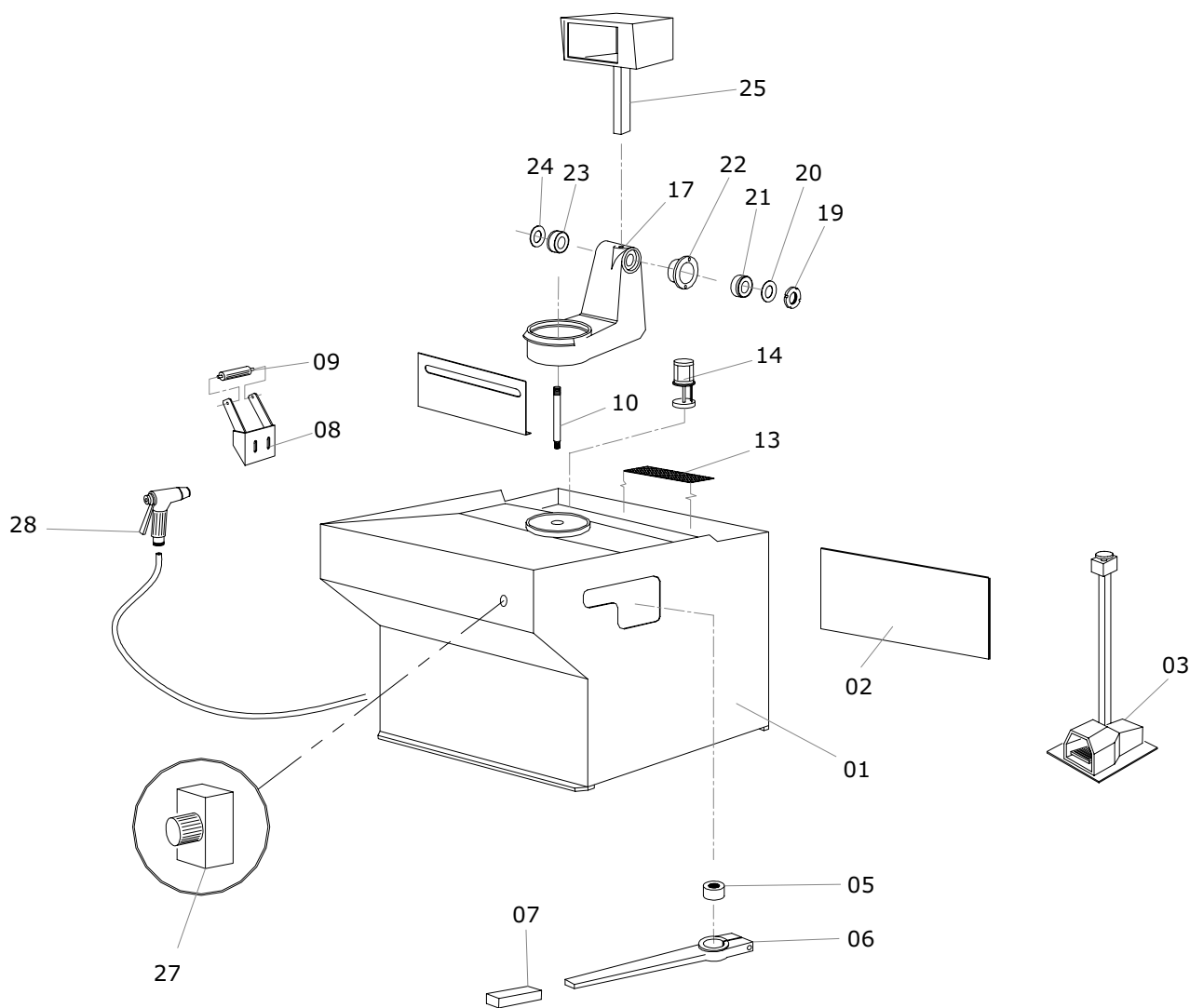


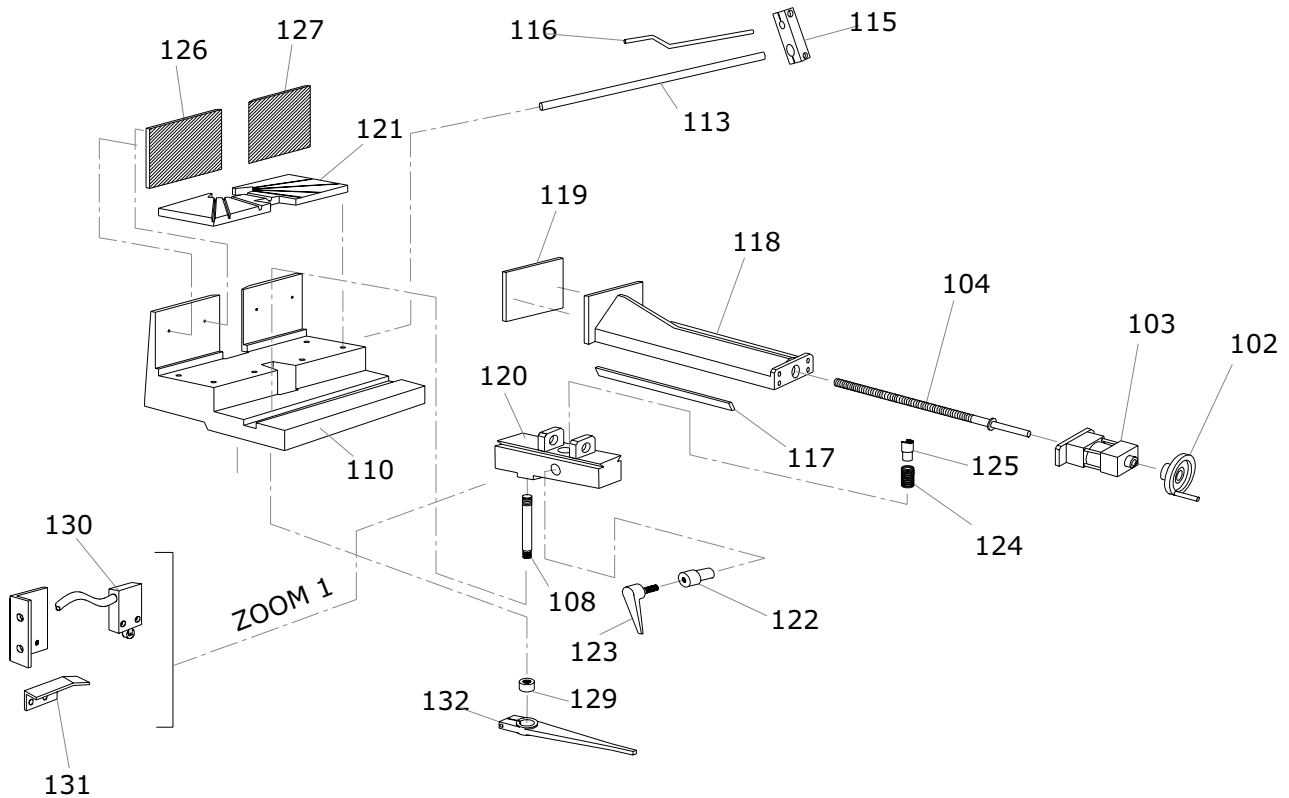
10 MACHINE COMPONENTS

10.1 - List of spare parts



REFERENCE N°	DESCRIPTION	REFERENCE N°	DESCRIPTION
001	Bed	019	Ring nut GUK M 45 x 1,5
002	Hydraulic unit housing guard	020	Nilos ring 32009 XAV
003	START CYCLE pedal	021	Bearing 30009 X
004		022	Eccentric bushing
005	Arm lock bush	023	Bearing 32010 X
006	Revolving arm lock lever	024	Nilos ring 32010 XAV
007	Lever grip	025	Electric box
008	Roller holding arm	027	Regulator
009	Roller	028	Spry gun
010	Revolving arm pin		
013	Crucible		
014	Electropump		

HYDRAULIC VICE



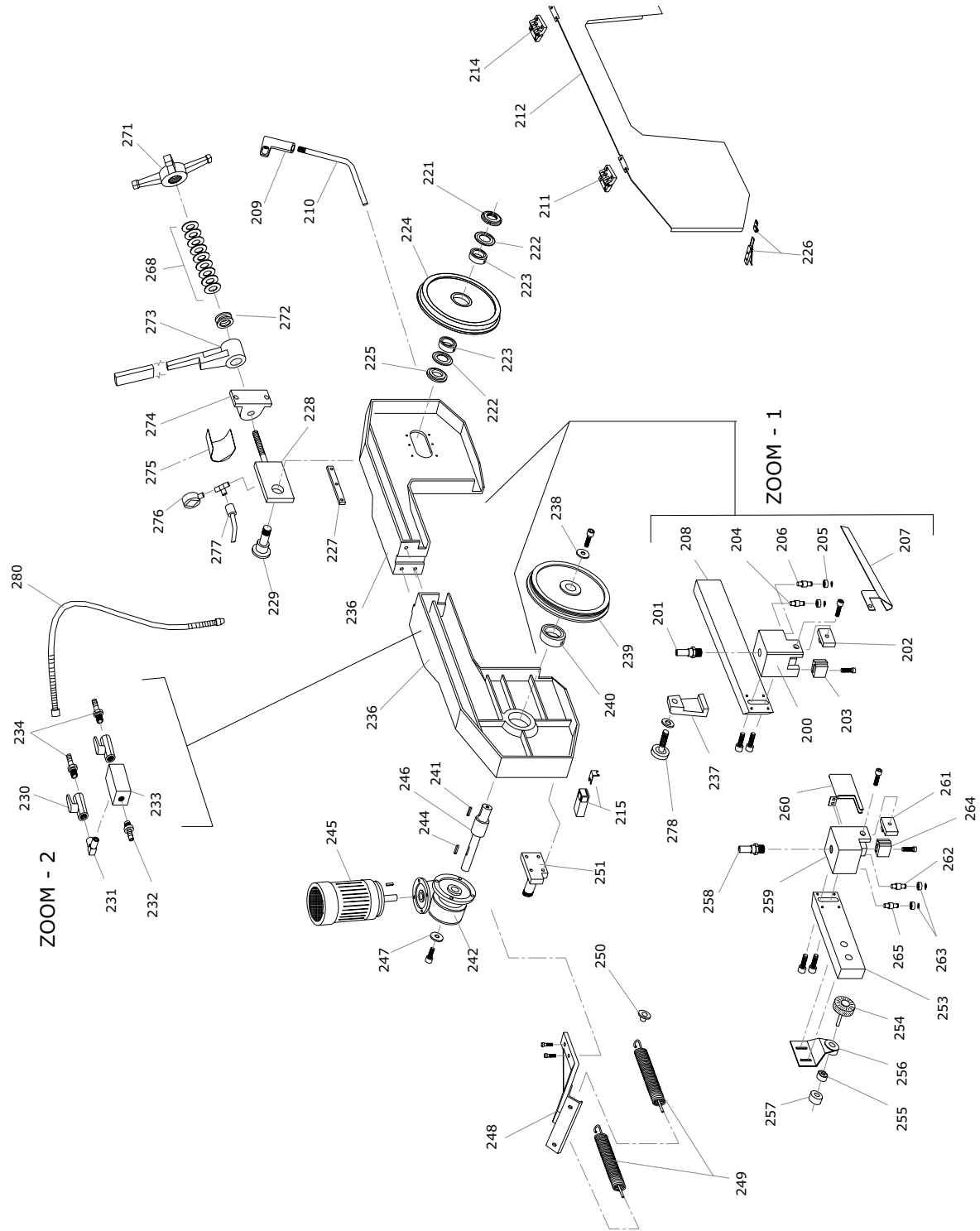
REFERENCE N°	DESCRIPTION	REFERENCE N°	DESCRIPTION
100.....	Washer	118.....	Vice
101.....	TCEI M8 screw	119.....	Vice jaw
102.....	Vice handwheel	120.....	Vice support
103.....	Hydraulic vice cylinder	121.....	Plate
104.....	Hydraulic vice screw	122.....	Feed nut pin
		123.....	Handle
108.....	Vice positioning pin	124.....	Spring
109.....	Collapsible block	125.....	Vice position feed nut
110.....	Countervise	126.....	Countervise l.h. jaw
111.....	Square	127.....	Countervise r.h. jaw
112.....	Block	128.....	Vice locking lever
113.....	Bar stop rod	129.....	Bushing
114.....	Bar stop rod ruler	130.....	Microswitch
115.....	Bar stop body	131.....	Square
116.....	Bar stop push rod	132.....	Locking lever
117.....	Vice gib		



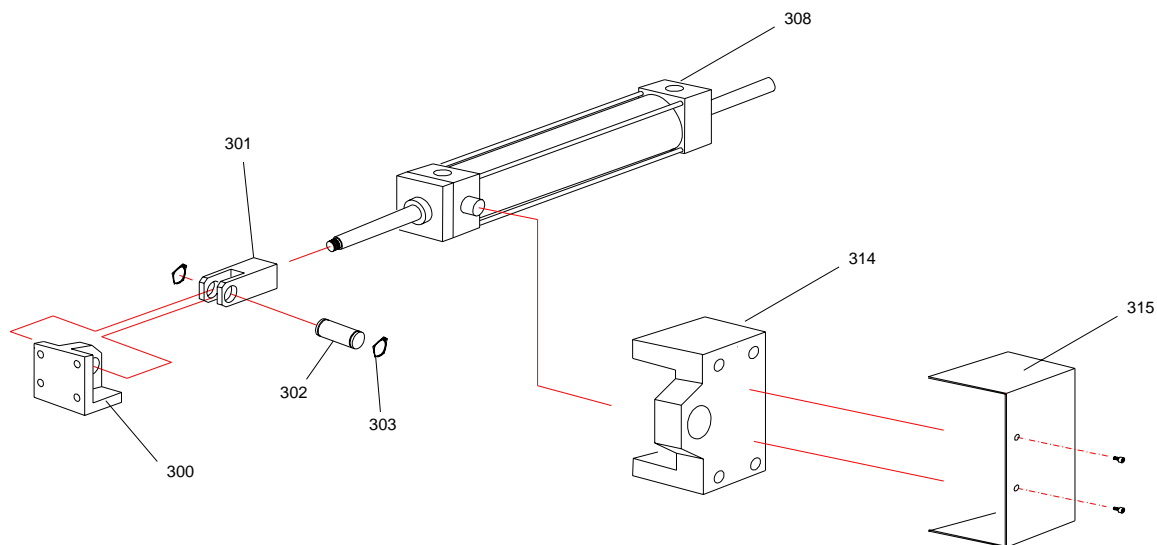
REFERENCE N°	DESCRIPTION
200	Adjustable blade guide block
201	Coupling
202	Fixed blade guide plate
203	Movable blade guide plate
204	Short eccentric pin
205	Bearing 608 2RS
206	Long eccentric pin
207	Blade guard on adjustable block
208	Blade guide adjustable rod
209	Handgrip with STZ switch
210	
211	Saw frame guard l.h. hinge
212	Saw frame guard
213	Fixed block l.h. blade guard
214	Saw frame r.h. hinge
215	Safety microswitch
216	
217	
218	
219	
220	
221	GUK M 30x1.5 ring nut
222	Nilos 32006 XAV ring
223	Bearing 32006
224	Transmission flywheel
225	Transmission flywheel spacer ring
226	Guard closing clip
227	Blade tightening gib
228	Blade tension cylinder
229	Transmission flywheel pin
230	Cooling liquid cock
231	Union
232	Coupling
233	Cooling distributor
234	Coupling
235	Coupling
236	Flywheel saw frame
237	Adjustable rod block bracket
238	Motor flywheel washer
239	Motor flywheel
240	Bearing 6208 2RS
241	Key
242	Reduction unit
243	Key
244	Key
245	Three-phase motor
246	Motor flywheel shaft
247	Washer
248	Spring coupling blade
249	Saw frame spring
250	Saw frame return spring bushing

REFERENCE N°	DESCRIPTION
251	Hinge pin
252	
253	Blade guide fixed rod
254	Blade cleaning brush
255	Bearing 626 2RS
256	Blade cleaning brush support
257	Brush return ring
258	Coupling
259	Fixed blade guide block
260	Additional protection
261	Fixed blade guide plate
262	Long eccentric pin
263	Bearing 608 2RS
264	Movable blade guide plate
265	Short eccentric pin
266	
267	
268	Spring
269	
270	
271	Blade tension handwheel
272	Bearing AX 2542+CP
273	Quick blade tension lever
274	Lever support
275	Protection
276	Pressure gauge
277	Pressure switch
280	Flexible pipe

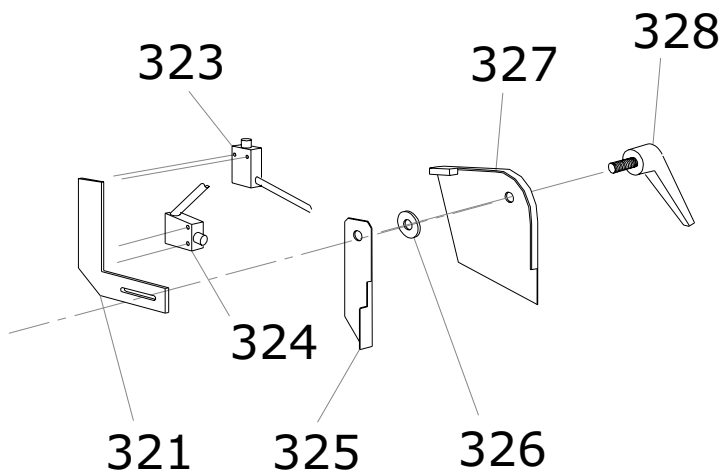
SAWFRAME



SAWFRAME DRIVE CYLINDER



STROKE ADJUSTMENT UNIT



REFERENCE N°	DESCRIPTION
--------------	-------------

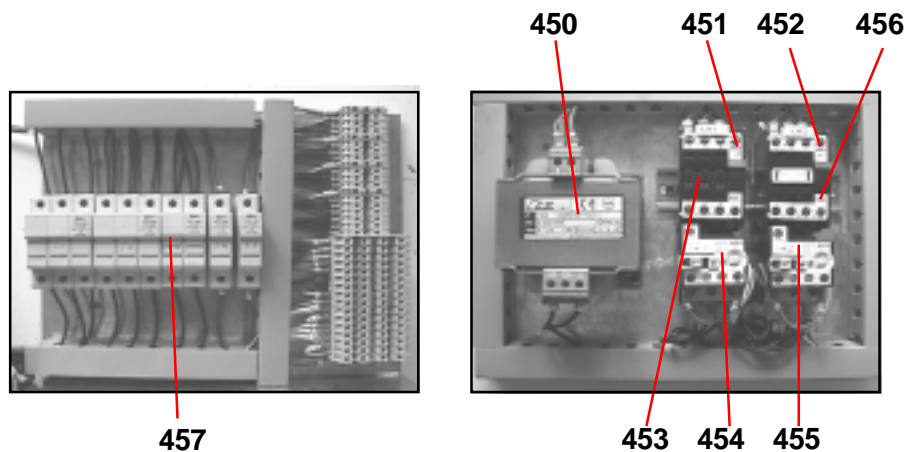
300	Front attachment boit
301	Cylinder fork
302	Fork pin
303	Seeger ring Ø 20
308	Cylinder
314	Cylinder coupling boit
315	Cylinder guard

REFERENCE N°	DESCRIPTION
--------------	-------------

321	Microswitch plate
322	Bushing
323	Upper endstroke microsw.
324	Lower endstroke microsw.
325	Plate for sawframe low pos.
326	Washer
327	Plate
328	Handle

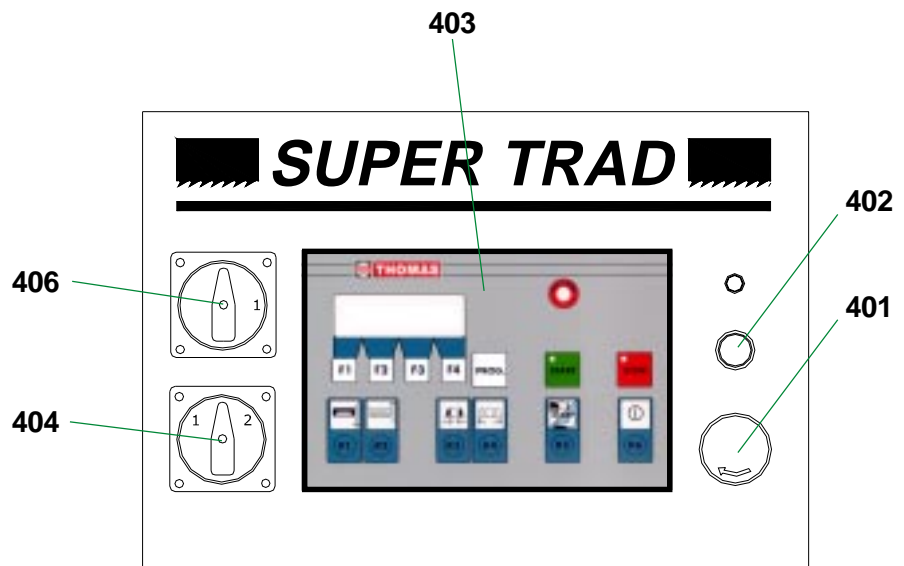
WIRING

- 450 Transformer TC
- 451 Contact aux.
- 452 Contact aux.
- 453 Remote switch KM1
- 454 Thermal relay FR1
- 455 Thermal relay FR2
- 456 Remote switch KM2
- 457 Fuse cartridge



LEGENDA CONTROL UNIT

- 401 Emergency push-button
- 402 Line push-button
- 403 Controller
- 404 Speed switch
- 406 Main switch



HYDRAULIC PUMP

- 501 Electrovalve -Vice-
- 502 Electrovalve -Sawframe-
- 503 Oil level
- 504 Manometer
- 505 Motor

