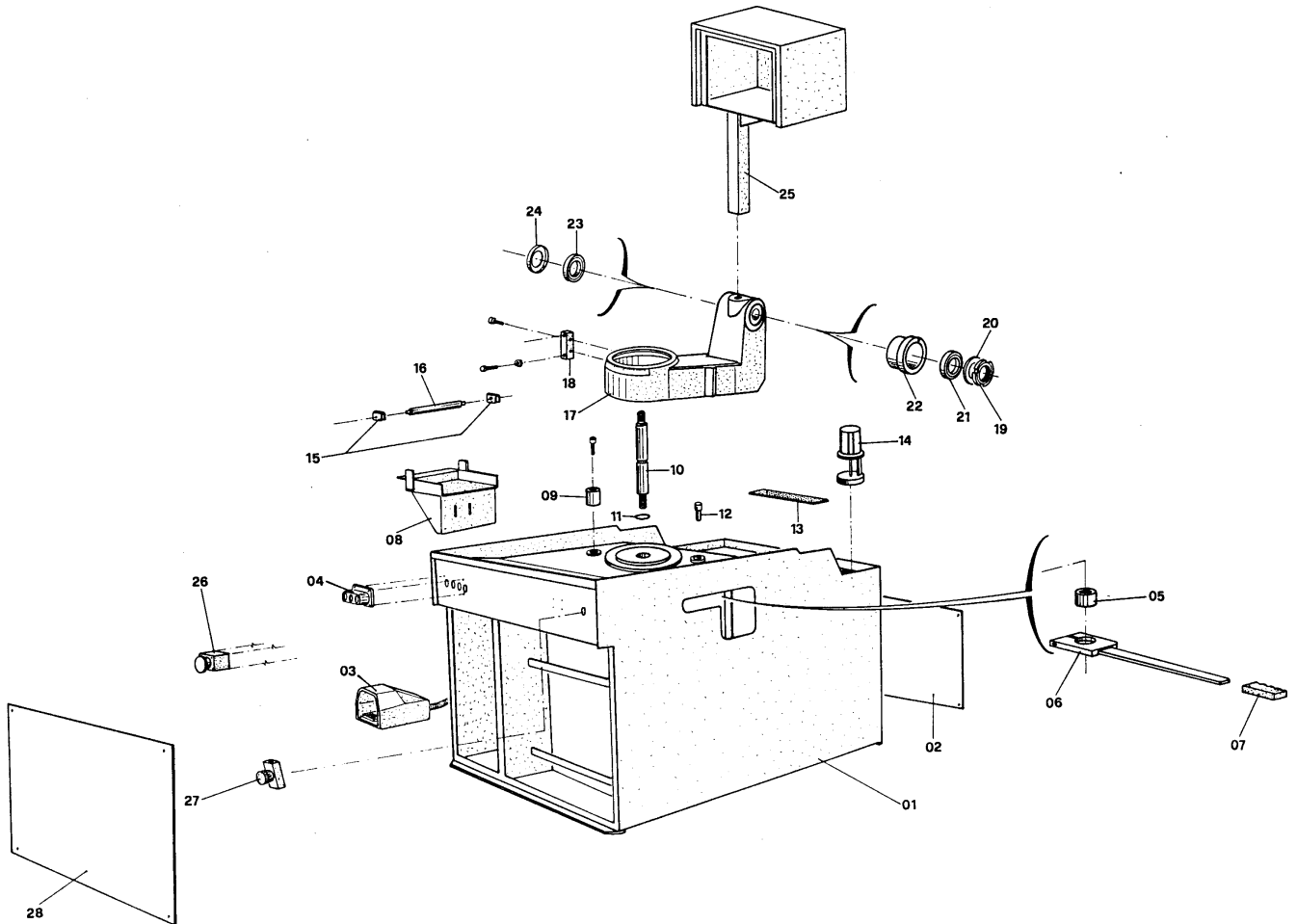




LIST OF SPARE PARTS SUPER TRAD 350 SO

BEDPLATE ASSEMBLY

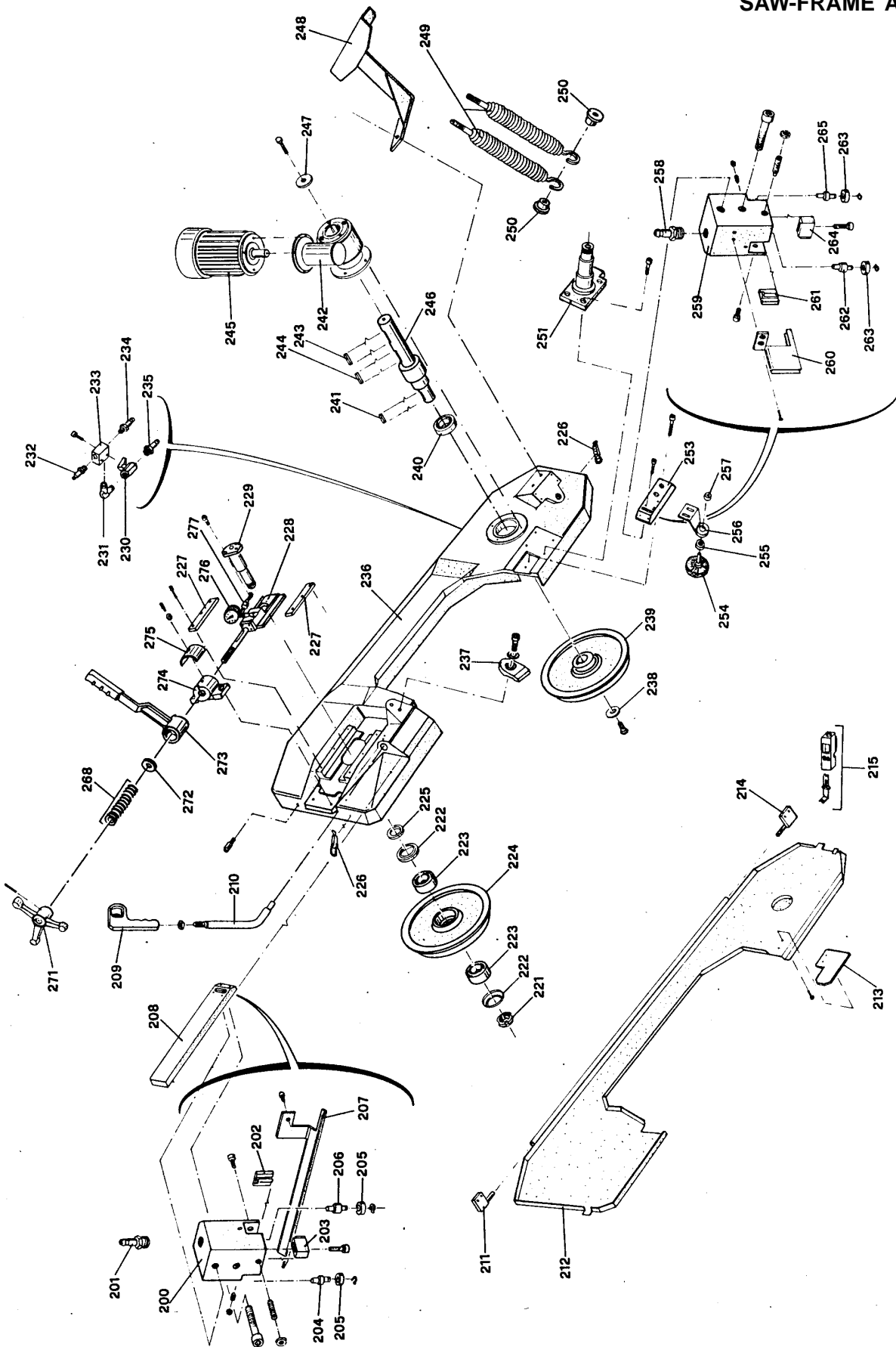


REF.NR.	DESCRIPTION	CODE
01	Bedplate	010A0001
02	Hydraulic unit guard	160A0004
03	Start cycle foot-control ..	73901000
04	3-Way junction box	170E 0013
05	Arm lock bush	AFB80012
06	Arm lock lever	120A0001
07	Handgrip	ANA40023
08	Roller arm	E 20A0005
09		
10	Roller arm pin	AFA40019
11	OR ring 4081	86002004
12	Pin	060A0004
13	Crucible	180A0005
14	Pump	88140002

REF.NR.	DESCRIPTION	CODE
15	Roller holder	49100010
16	Roller	49001001
17	Arm	020A0001
18		
19	Guk ring nut M45	81700045
20	NILOS ring	86005005
21	Bearing 32009X	84320039
22	Eccentric bush	080A0003
23	Bearing 32010X	84320047
24	Nilos ring 32010	86005005
25	Electric box	170E 0011
26	Emergency push-button ..	70101000
27	Speed regulator	88900003
28	Electric unit guard	160A0005

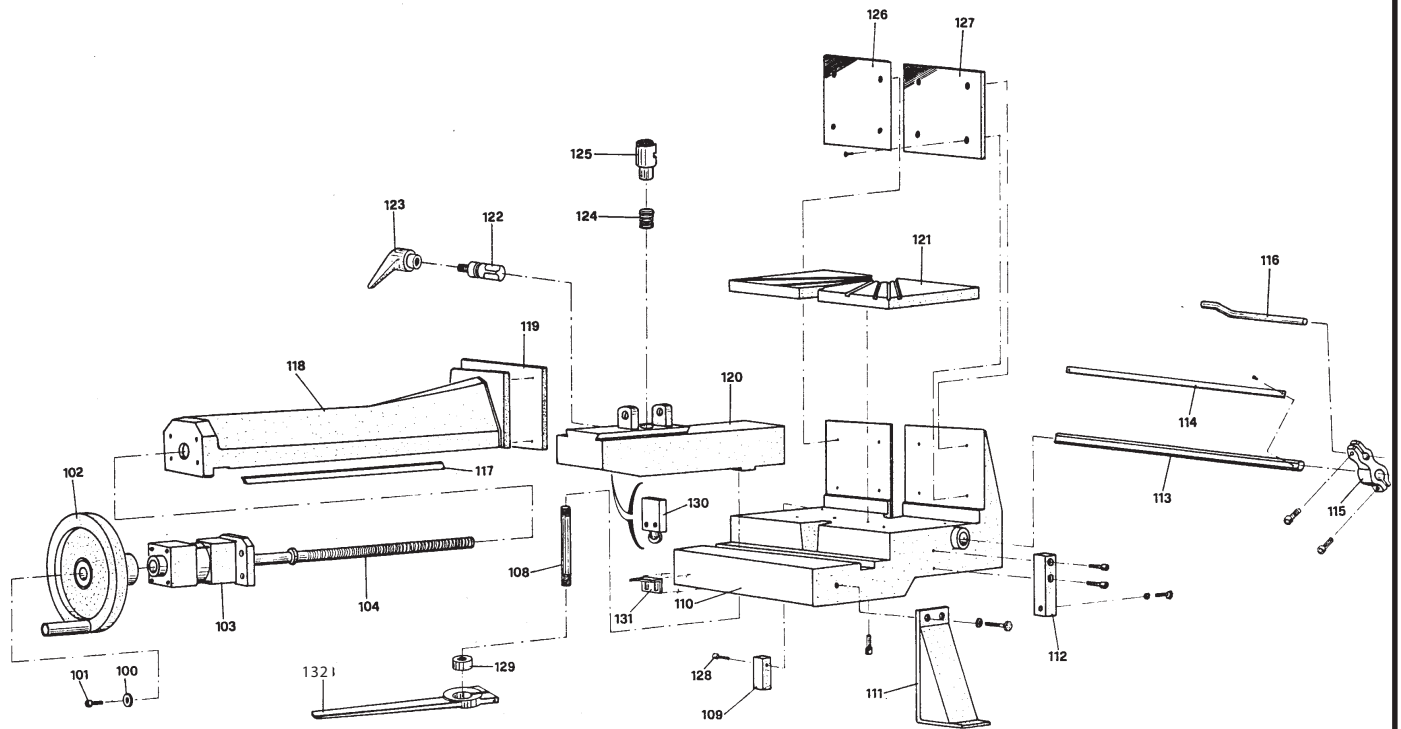


SAW-FRAME ASSEMBLY





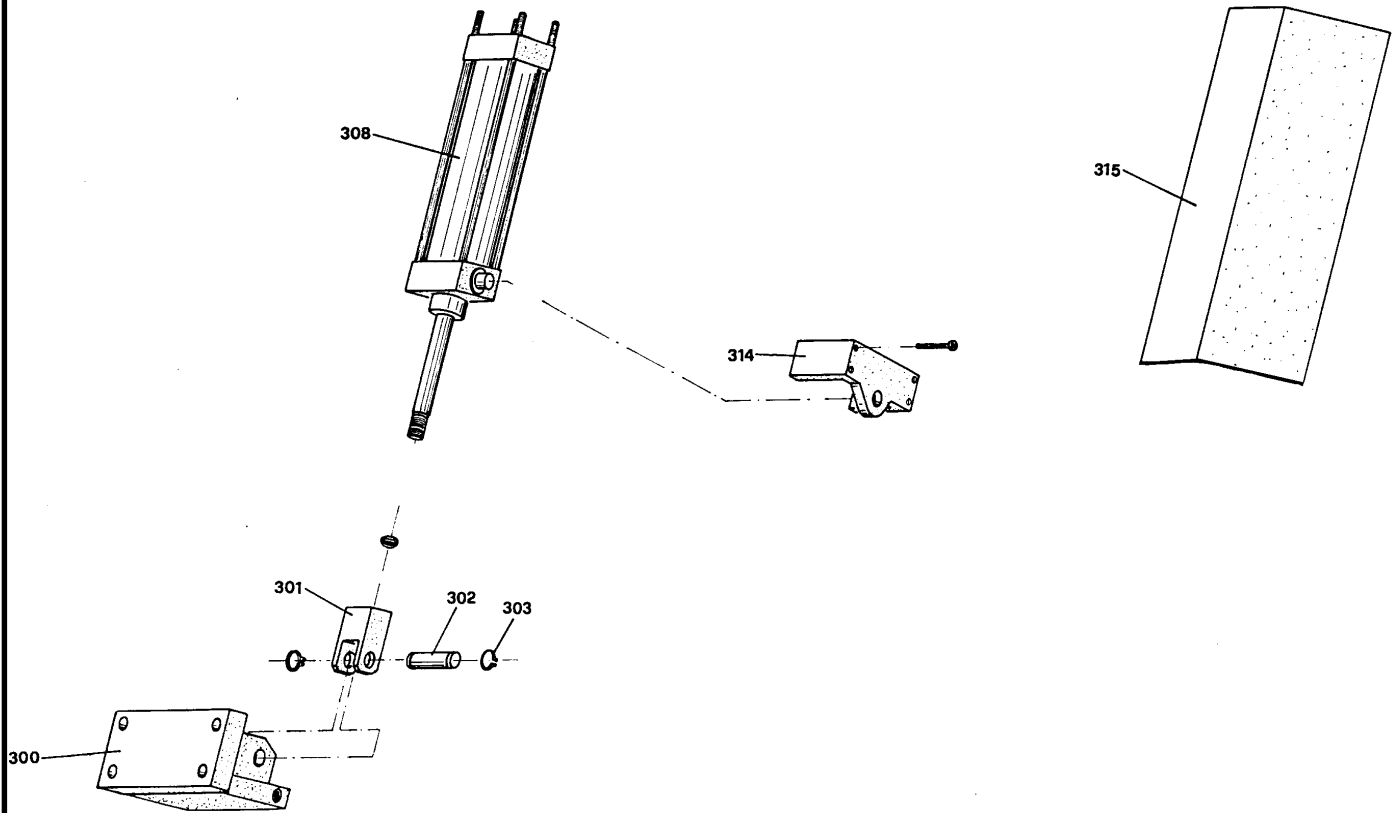
VICE ASSEMBLY



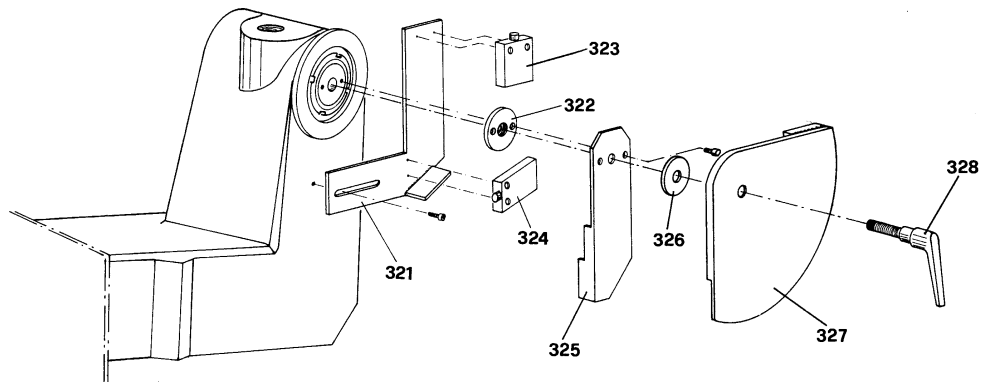
REF.NR.	DESCRIPTION	CODE
100	Washer	8210000
101	Screw TCCE M8	81110080
102	Vice handwheel	44116418
103	Vice cylinder	78100051
104	Vice screw	060G0003
105		
108	Vice lock pin	060B0005
109		
110	Countervise	050B0002
111	Square	110A0002
112		
113	Bar stop rod	AFB80024
114	Scale	AHB80026
115	Bar stop body	AG660047
116	Bar stop push-rod ...	AFC40109
117	Vice gib	140B0001

REF.NR.	DESCRIPTION	CODE
118	Vice	050B0001
119	Vice jaw	130B0001
120	Vice holder	050B0003
121	Interchangeable plate ..	050B0004
122	Block pin	060B0004
123	Handle	46112000
124	Spring	190B0001
125	Block	060B0002
126	Countervise left jaw	130B0003
127	Countervise right jaw ...	130B0002
128		
129	Bush	AFB80012
130	Microswitch	72212000
131	Microswitch square	110B0002
132.1	Vice locking lever	AG160022

SAW-FRAME CYLINDER ASSEMBLY



SAW-FRAME STROKE ADJUSTMENT ASSEMBLY

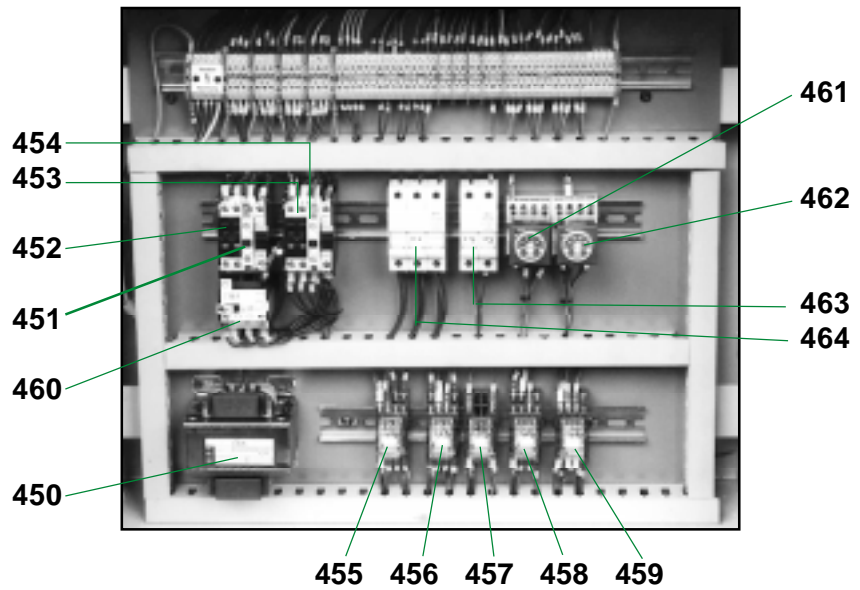


REF.NR.	DESCRIPTION	CODE
300	Front bracket.....	110A0001
301	Cylinder fork.....	110H0006
302	Fork pin.....	AF880080
303	Seeger ring Ø 20.....	82600000
308	Cylinder.....	200H0002
314	Cylinder bracket.....	110C0001
315	Cylinder guard.....	160H0002

REF.NR.	DESCRIPTION	CODE
321	Microswitch hold plate .	110H0010
322	Bush.....	080H0001
323	Microswitch.....	72212000
324	Microswitch.....	72212000
325	Plate for saw-fr.low pos.	110H0009
326	Washer.....	82100000
327	Plate for saw-fr.up. pos.	110H0008
328	Handle.....	46108000

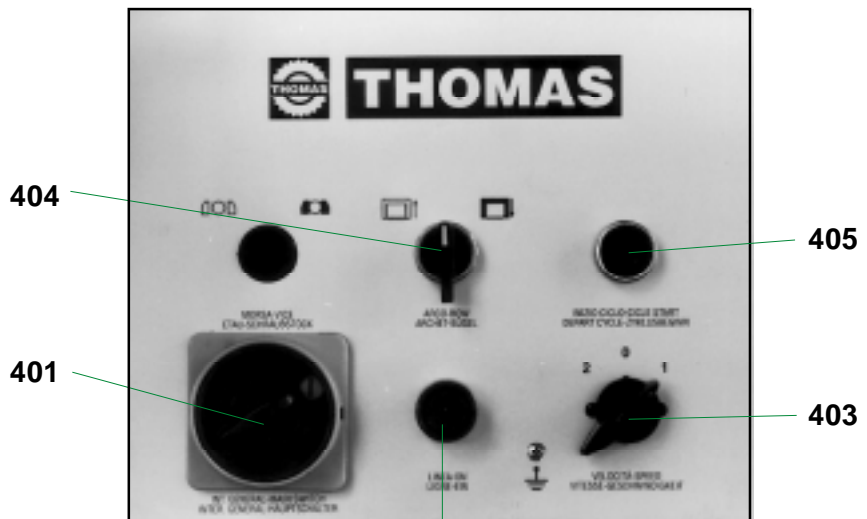
KEY

- 450 TC transformer
- 451 Auxiliary relay
- 452 KM1 remote control switch
- 453 KM2 remote control switch
- 454 Auxiliary relay
- 455 KA1 auxiliary relay
- 456 KA2 auxiliary relay
- 457 KA3 auxiliary relay
- 458 KA4 auxiliary relay
- 459 KA5 auxiliary relay
- 460 FRI thermal relay
- 461 KT timer
- 462 KT timer
- 463 Fuse holder
- 464 Fuse holder



KEY

- 401 Main switch
- 402 Start push-button
- 403 Speed switch
- 404 Saw-frame selector
- 405 Start push-button



KEY

- 501 Vice hydraulic solenoid valve
- 502 Saw-frame hydraulic solenoid valve
- 503 Hydraulic unit oil level
- 504 Pressure gauge
- 505 Hydraulic unit motor

