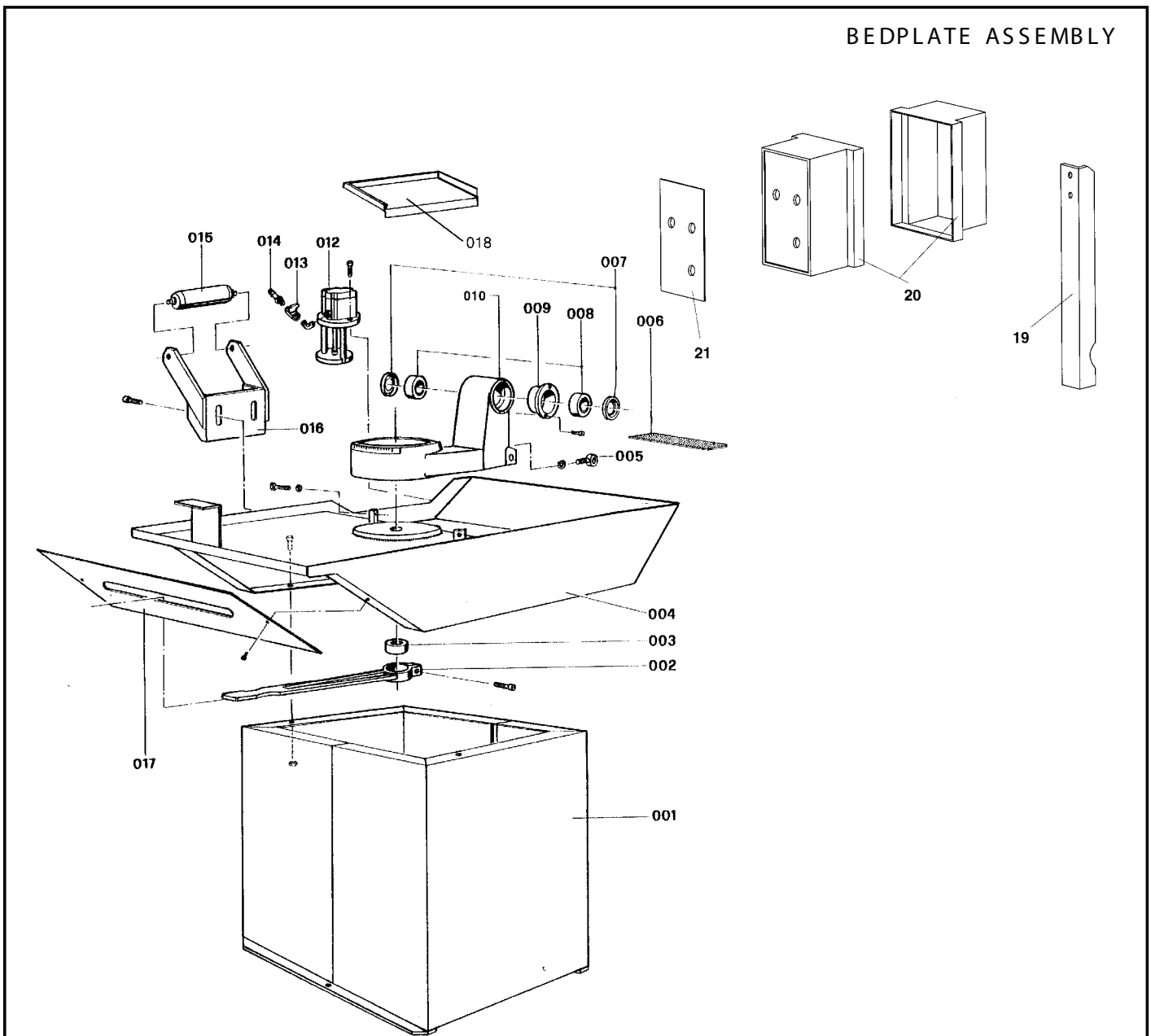


LIST OF SPARE PARTS SWING 270



BEDPLATE ASSEMBLY

REF.NR.	DESCRIPTION	CODE
---------	-------------	------

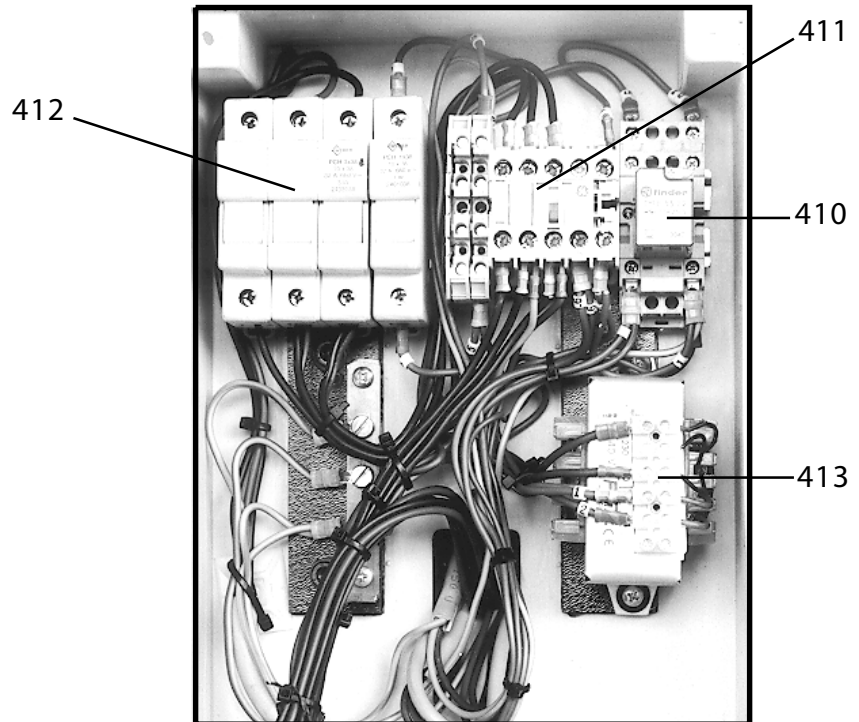
001	Pedestal	010A0009
002	Arm locking lever	AG260027
003	Locking bush	AFB80012
004	Bedplate	010A0008
005	Spring attachment	AF750024
006	Filter	180A0005
007	Nilos ring 32006	86005005
008	Bearing 32006 X	84320017
009	Bushing	D80A0011

PRICE ITL.

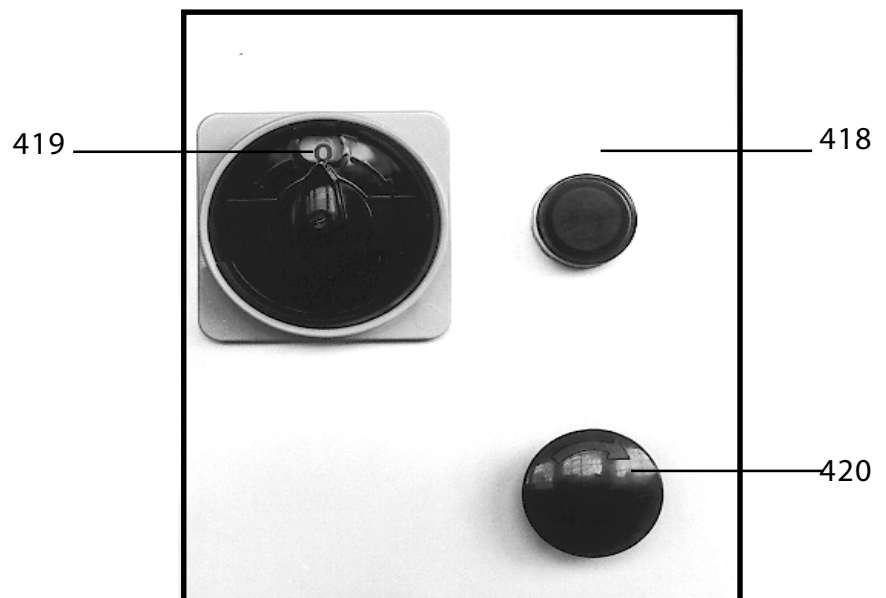
REF.NR.	DESCRIPTION	CODE
---------	-------------	------

010	Arm for 0°-60°	020A0003
012	Pump	88140020
013	Coolant liquid tap	88600000
014	Rubber ring coupl.	69501000
015	Roller	49001003
016	Roller holding arm	D80A0006
017	Locking lever guard	D80A0005
018	Filter	160A0082
019	Electric box support	170E0030
020	Electric box + cover	230E0010
021	Control board	220X0094

PRICE ITL.

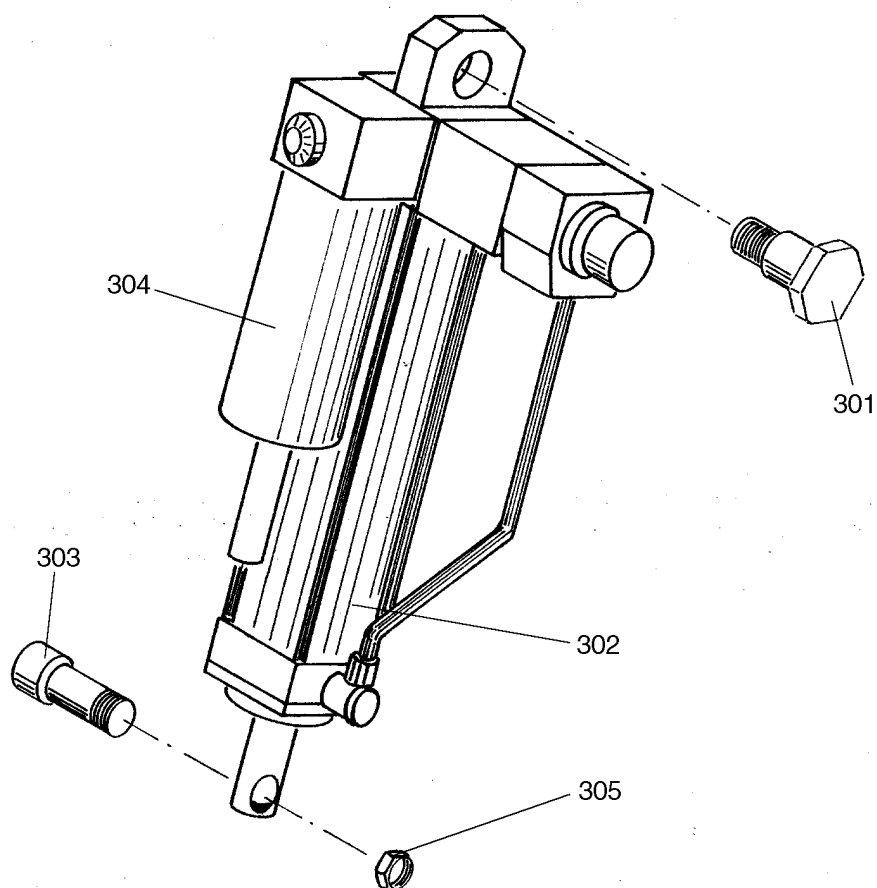


- 410 Auxiliary relay 72300000
- 411 Remote control switch 73401001
- 412 Fuse holder 73142005
- 413 Transformer 73327012



- 418 Reset button 70101000
- 419 Speed switch 70221015
- 420 Emergency button 70101000

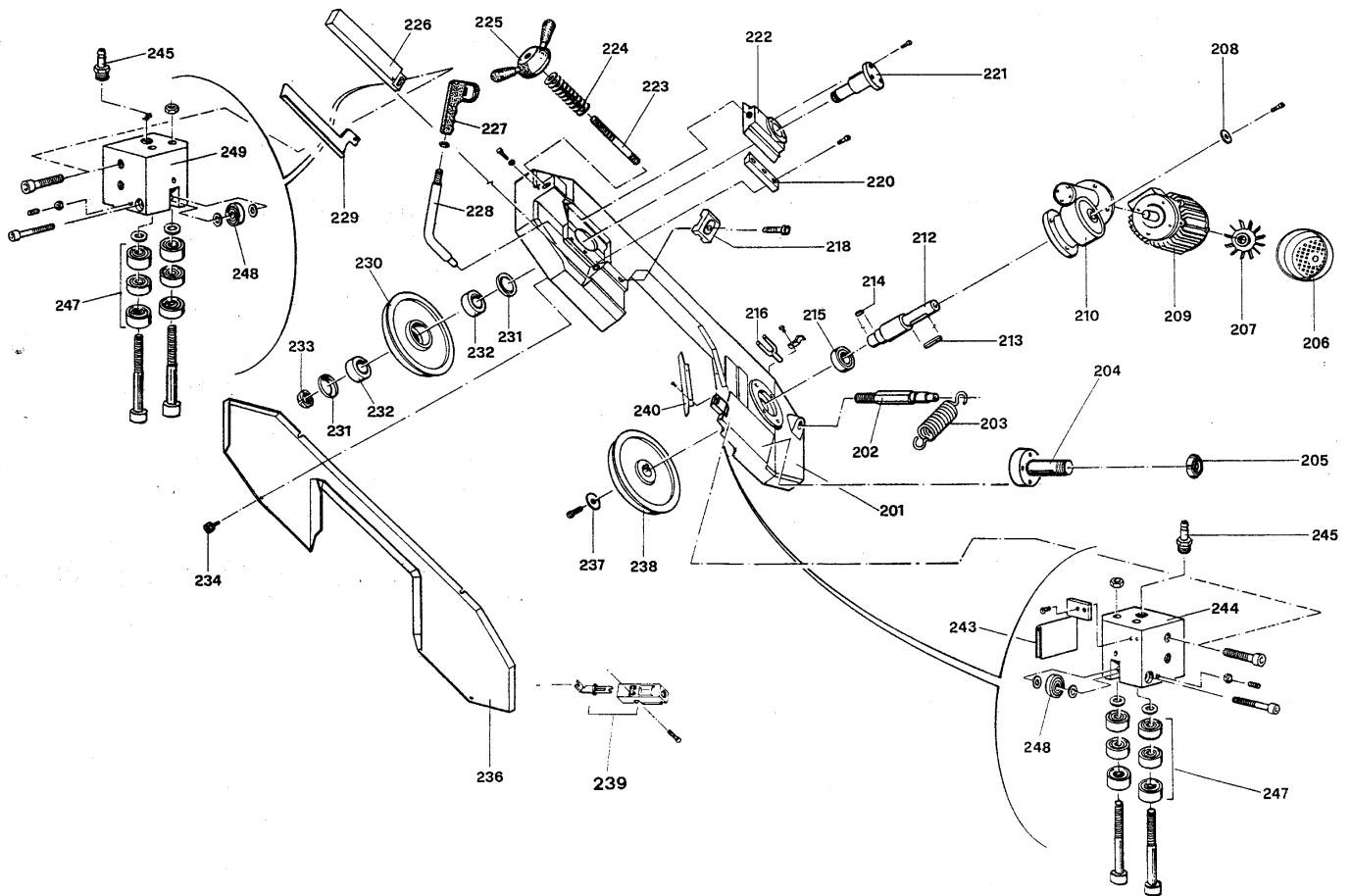
ELECTRO-BRAKE ASSEMBLY



REF.NR	DESCRIPTION	CODE	PRICE ITL.
--------	-------------	------	------------

301	Cylinder articulation	AF750022	
302	Electro-brake	78102003	
303	Pin	D80H0262	
304	Tank	53400209	
305	Nut M 10	81600010	

SAW-FRAME ASSEMBLY



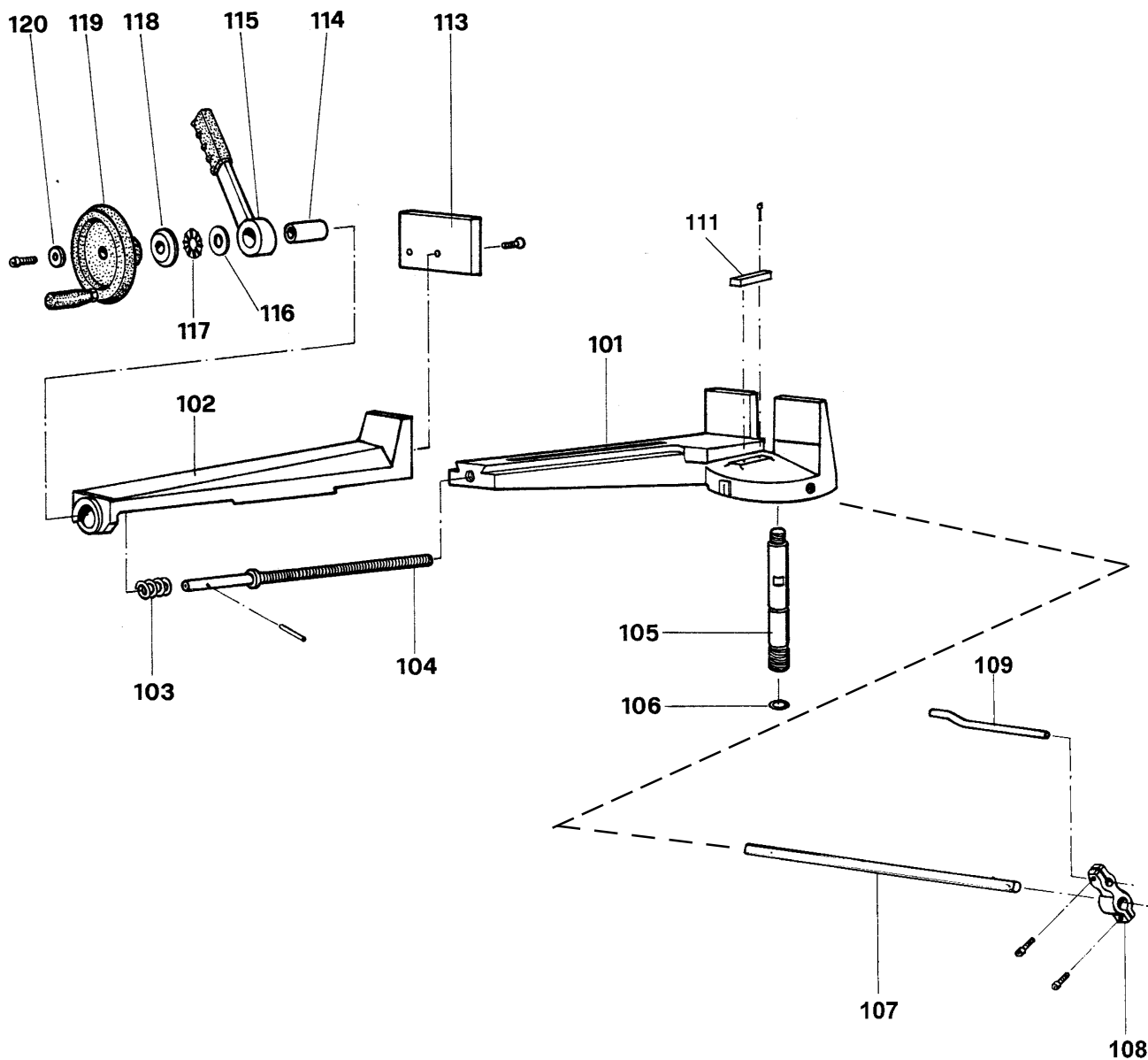
REF.NR.	DESCRIPTION	CODE
---------	-------------	------

201	Saw-frame	030C0004
202	Spring attachment.....	AFC40131
203	Spring	E 20C0068
204	Hinge pin.....	060C0012
205	Ring nut GUK 35	81700035
206	Motor cover	53500112
207	Motor fan.....	53500128
208	Washer	D80C0083
209	Motor 3ph CE	74322090
210	Reduction unit 3ph	76200003
211		
212	Motor shaft	E 20C1062
213	Key 8 x 7 x 50	82502082
214	Key 8 x 7 x 25	82502082
215	Bearing 6208-2RS	84113062
216	Two-way distributor	AFC40052
217		
218	Mobile rod loking dowelAGC40051	
219		
220	Blade tension slide gib .	AFC40033
221	Return flywheel slide	AFC40035
222	Blade slide	AGC40032
223	Bl.slide threaded-rod.....	AFC40034
224	Belleville washer.....	82505101

REF.NR.	DESCRIPTION	CODE
---------	-------------	------

225	Blade tens.handwheel ..	47200000
226	Bladeguide head mov.rod	E 20C0064
227	Handgrip with STZ	44600001
228	Saw-frame mov.lever	AFA40127
229	Blade-guide rod guard..	E 20C0070
230	Return flywheel.....	AGC40031
231	Nilos ring 32006XAV	86005005
232	Bearing 32006 X.....	84320017
233	GUK ring nut 30.....	81700030
234	Knob	44114512
235		
236	Flywheel guard	AFC40013
237	Motor flywheel washer .	D80C0083
238	Motor flywheel	AGC40021
239	Microswitch	72212000
240	Motor flywheel guard ...	AFC40017
241		
243	Blade add.protection	160C0030
244	Bl.-guide fixed head	E 20C0065
245	Rubber holder coupling	69501000
246		
247	Bearing 608-2RS	84113010
248	Bearing 626-2RS	84113005
249	Bl.-guide mobile head ..	E 20C0066

STRAIGHT VICE ASSEMBLY



REF.NR	DESCRIPTION	CODE
--------	-------------	------

PRICE ITL.

REF.NR	DESCRIPTION	CODE
--------	-------------	------

PRICE ITL.

101	Counterservice 90°	050B0010
102	Vice 90°	050B0011
103	Spring	AFB80035
104	Vice screw	060B0008
105	Rotation pin	060C0011
106	OR ring 3081	86002004
107	Bar stop rod	AFC10047
108	Bar stop	230B0001
109	Bar stop push rod	AFC40109
110		

111	Plate	050B0012
112		
113	Vice jaw	130B0020
114	Vice lever bushing	AFB80032
115	Quick lock vice lever	AGB80031
116	Fifth wheel AX 3047 +	
117	CP 3047 bearing	845000001
118	Quick l.l. washer	AFB80033
119	Vice handwheel	44116418
120	Handwheel washer	AFC40083