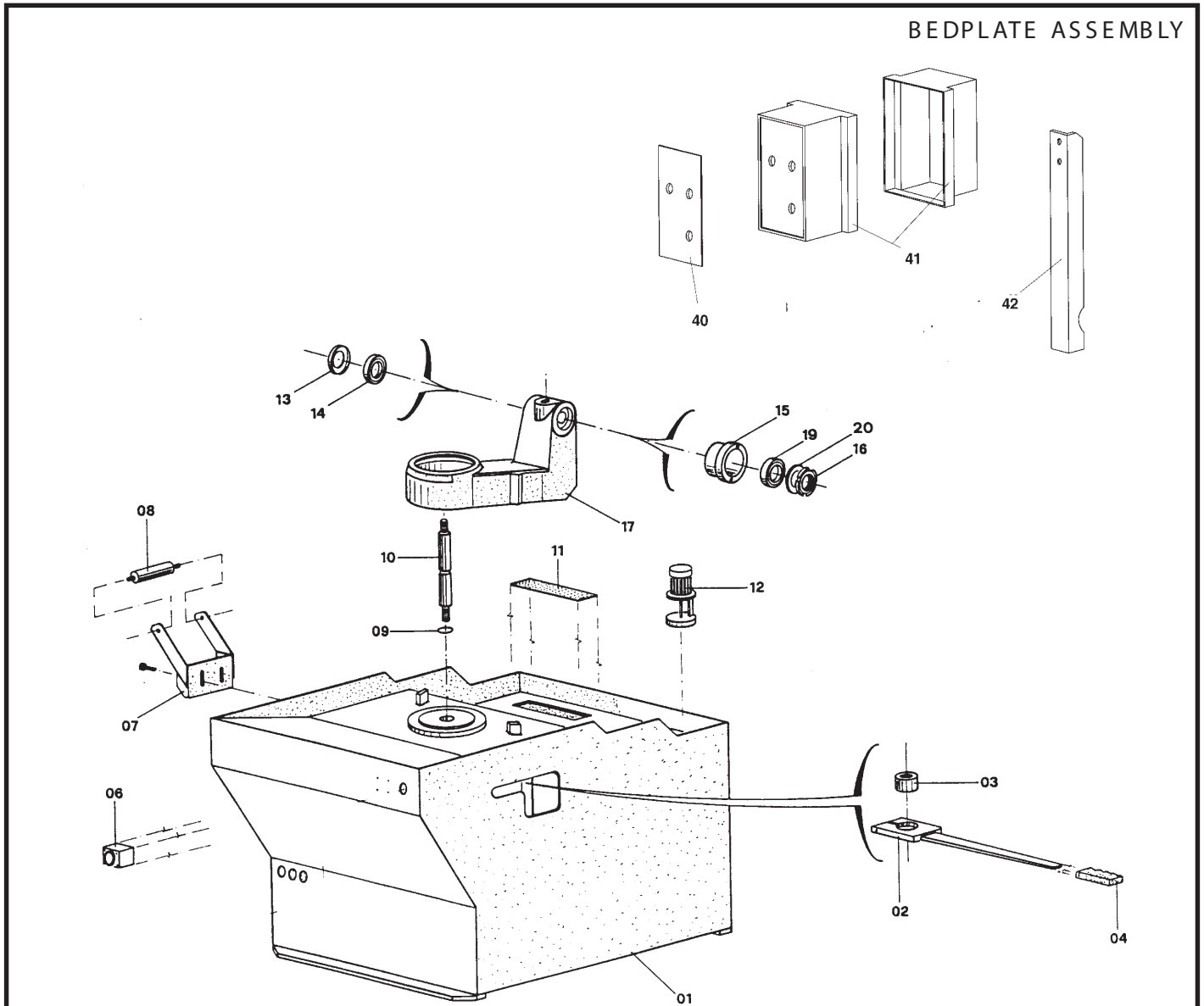


### LIST OF SPARE PARTS SWING 350



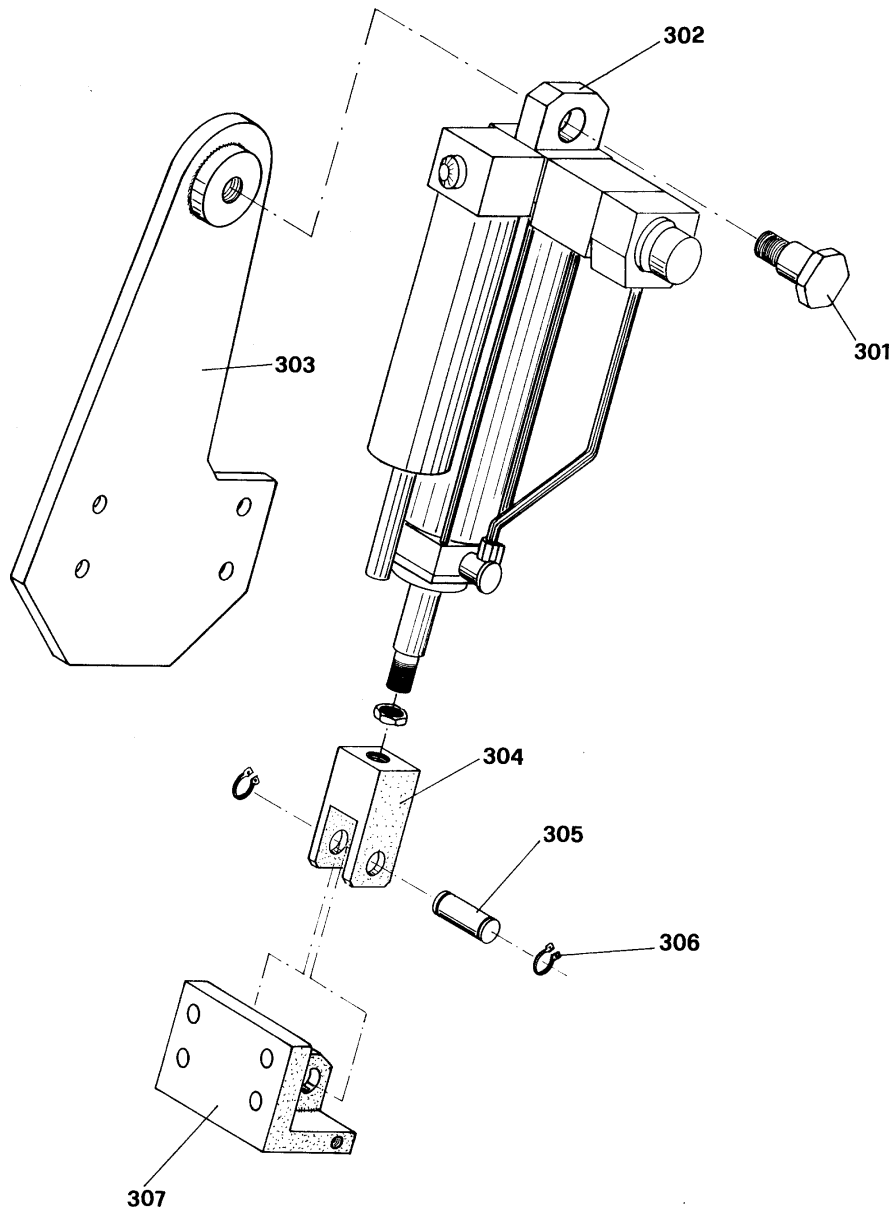
REF.NR.	DESCRIPTION	CODE
---------	-------------	------

01	Bedplate .....	010A0002
02	Arm locking lever .....	120A0001
03	Arm locking bush .....	AFB80012
04	Lever handgrip .....	ANA40023
05		
06	Emergency psh-button .....	70101000
07	Roller holding arm .....	E20A0004
08	Roller .....	49001001
09	O-Ring 4081 .....	86002004
10	Roller arm pin .....	AFA40019
11	Crucible .....	180A0005

REF.NR.	DESCRIPTION	CODE
---------	-------------	------

12	Pump .....	88140002
13	NILOS ring .....	86005005
14	Bearing 32010 X .....	84320047
15	Eccentric bush .....	080A0003
16	GUK ring nut M 45 .....	81700045
17	Arm .....	020A0001
18		
19	Bearing 32009 X .....	84320039
20	NILOS ring .....	86005005

### ELECTRO-BRAKE ASSEMBLY

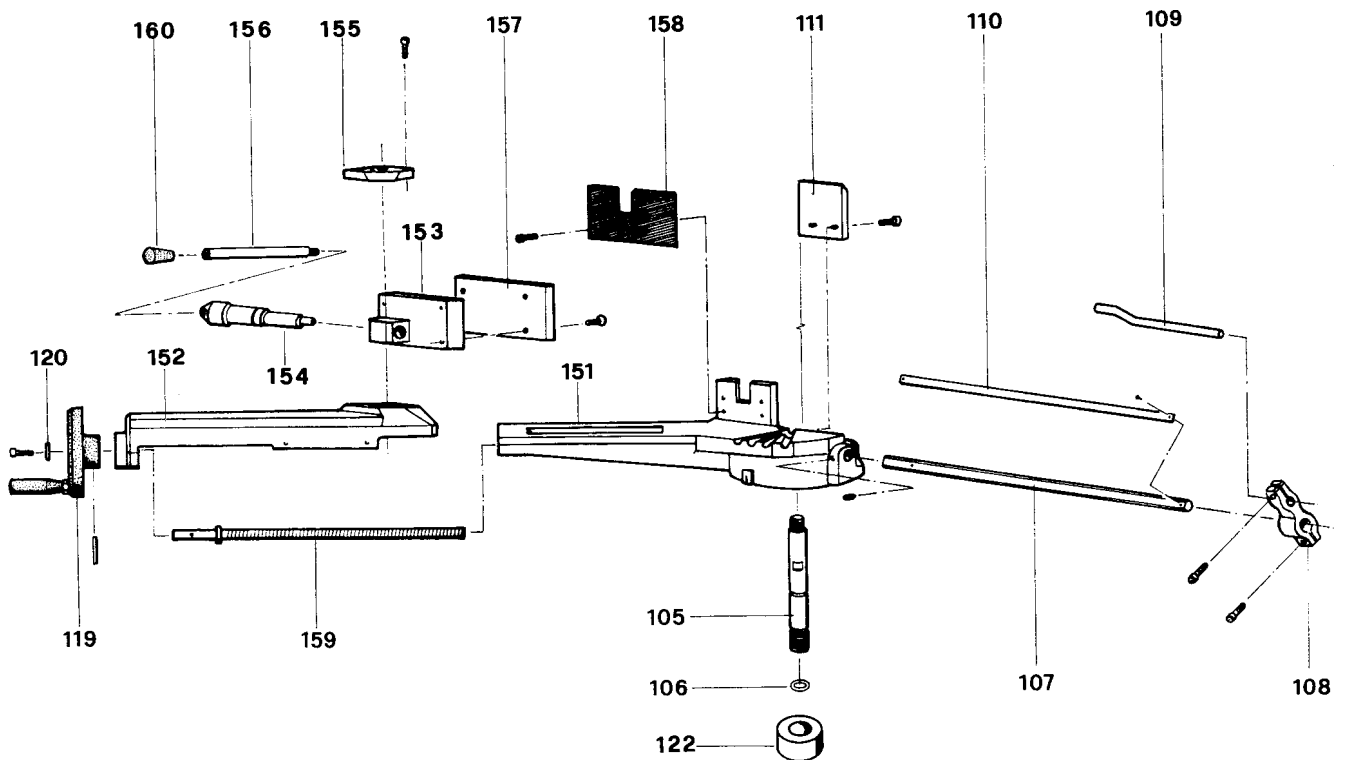


REF.NR.	DESCRIPTION	CODE
---------	-------------	------

- |     |                             |          |
|-----|-----------------------------|----------|
| 301 | Cylinder articulation ..... | AF750022 |
| 302 | Electro-bake .....          | 78102005 |
| 303 | Plate .....                 | 110H0005 |
| 304 | Cylinder fork .....         | 110H0004 |
| 305 | Cylinder pin .....          | AF880080 |
| 306 | Seeger ring Ø 20 .....      | 82600000 |
| 307 | Cylinder bracket .....      | 110A0001 |

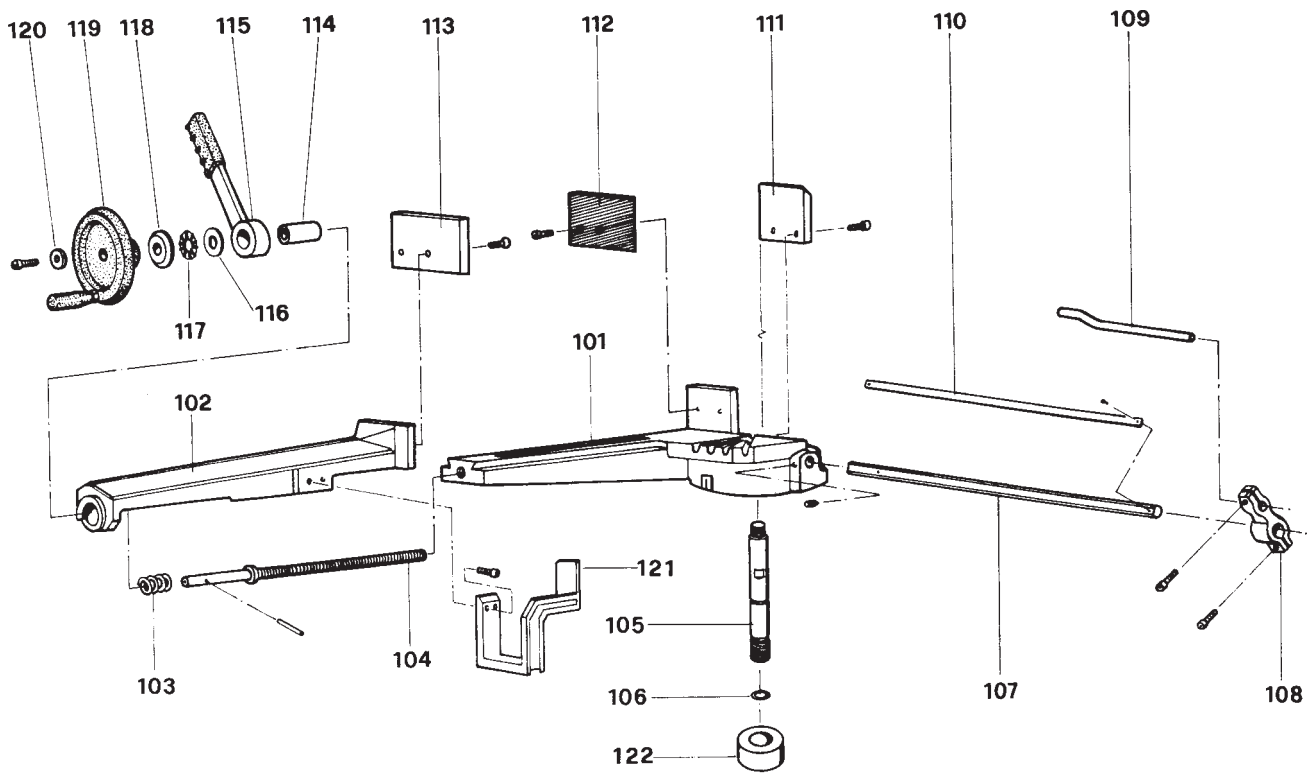


### INCLINED VICE ASSEMBLY



REF.NR.	DESCRIPTION	CODE	PRICE ITL.	REF.NR.	DESCRIPTION	CODE
105	Revolving arm lock.pin.	AFA40019		151	Inclined countervice .....	AGA40007
106	OR ring 4081 .....	86002004		152	Inclined vice .....	AGA40008
107	Bar stop rod.....	AFB80024		153	Quick lock support .....	AG750053
108	Bar stop body .....	AG660047		154	Locking cam .....	AF750055
109	Bar stop push rod .....	AFC40109		155	Plate on vice .....	AF750056
110	Bar stop rod scale .....	AHB80026		156	Quick lock handle .....	AF750059
111	Countervice r..h. jaw .....	AGA40037		157	Inclined vice jaw .....	AFA40054
119	Vice handwheel.....	44116418		158	Inclined c.vice jaw .....	AFA40052
120	Washer.....	82100000		159	Inclined vice screw .....	AFA40057
122	Revol.arm lock. bushing	AFB80032		160	Handgrip .....	44411512

### STRAIGHT VICE ASSEMBLY



REF.NR.	DESCRIPTION	CODE
---------	-------------	------

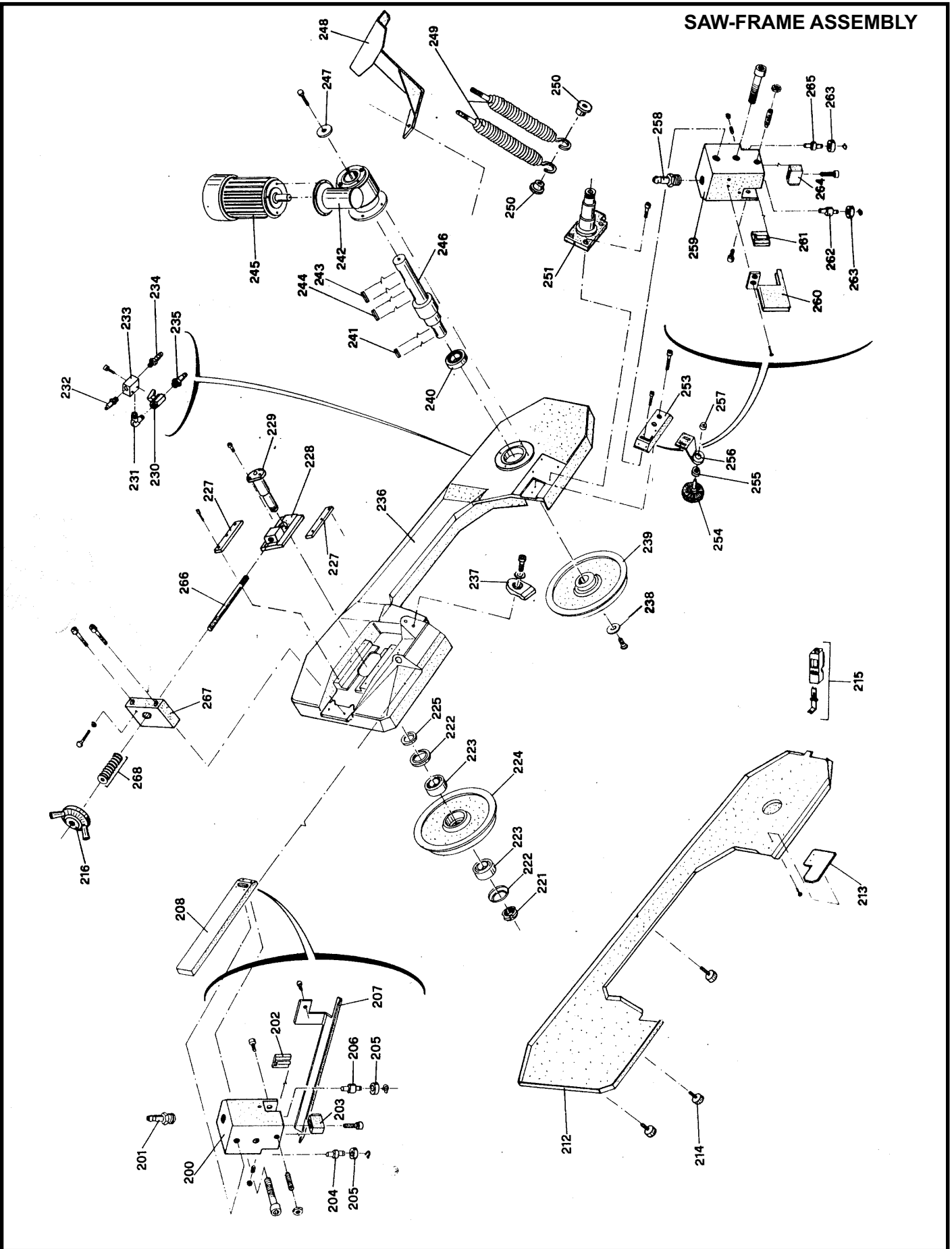
101	Straight countervice .....	AGA40070
102	Straight vice .....	AGA40071
103	Quick locking vice spring	AFB80035
104	Straight vice screw .....	AFA40091
105	Pin .....	AFA40019
106	OR ring 4081 .....	86002004
107	Bar stop rod .....	AFB80024
108	Bar stop body .....	AG660047
109	Bar stop push rod .....	AFC40109
110	Bar stop rod scale .....	AHB80026
111	Countervice r.h. jaw .....	AGA40037

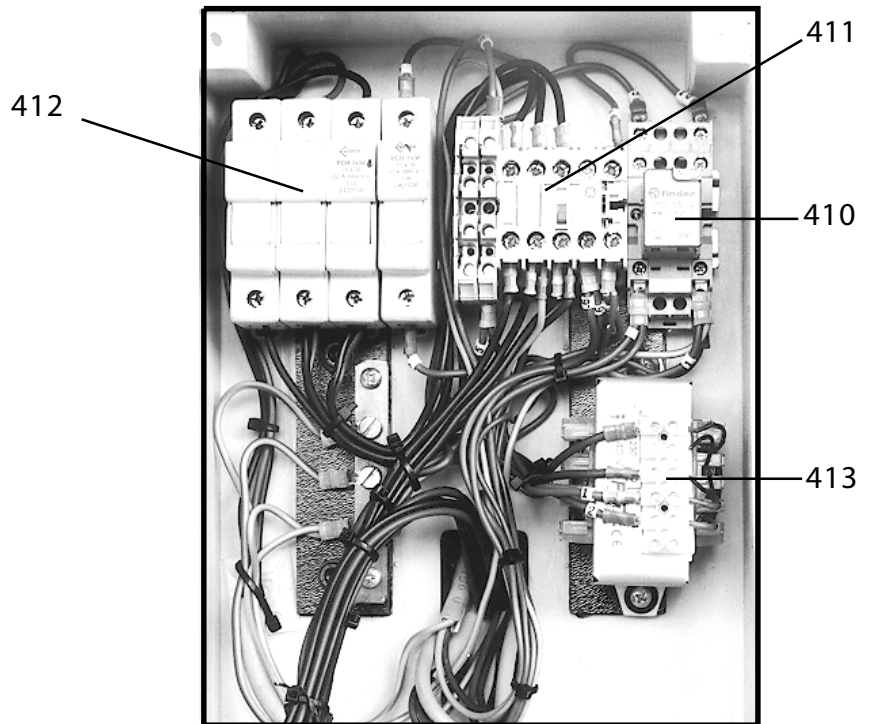
REF.NR.	DESCRIPTION	CODE
---------	-------------	------

112	90° countervice jaw .....	AFA40074
113	90° vice jaw .....	AFA40072
114	Quick locking vice bush	AFB80032
115	Quick locking vice lever	AGB80031
116	Fifth wheel AX 30 47+	
117	Bearing CP 30 47 .....	84500001
118	Washer .....	AFB80033
119	Vice handwheel .....	44116418
120	Washer .....	82100000
121	Anti-burr plate .....	AFA40076
122	Arm locking bushing ....	AFB80012



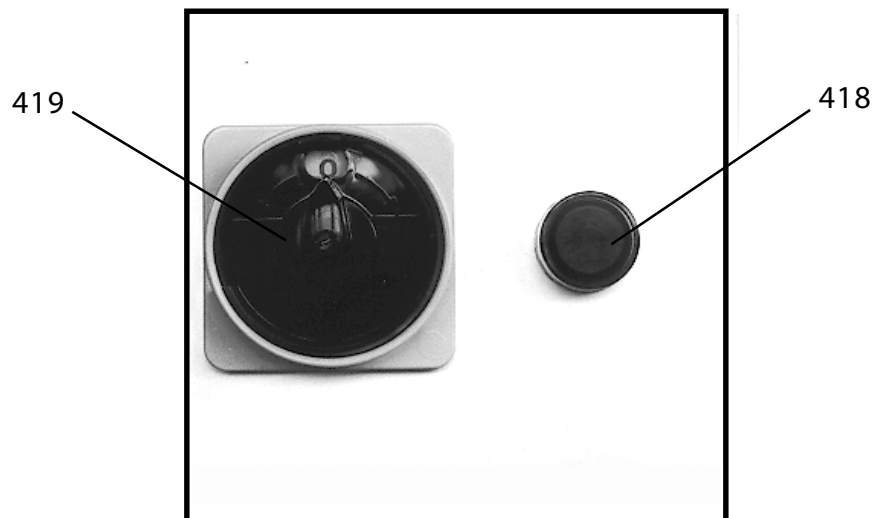
## SAW-FRAME ASSEMBLY





KEY

- 410 Auxiliary relay ..... 72300000
- 411 Remote con.switch . 73401001
- 412 Fuse-holder ..... 73142005
- 413 Transformer ..... 73327012



KEY

- 418 Reset button..... 70101000
- 419 Speed switch ..... 70221015