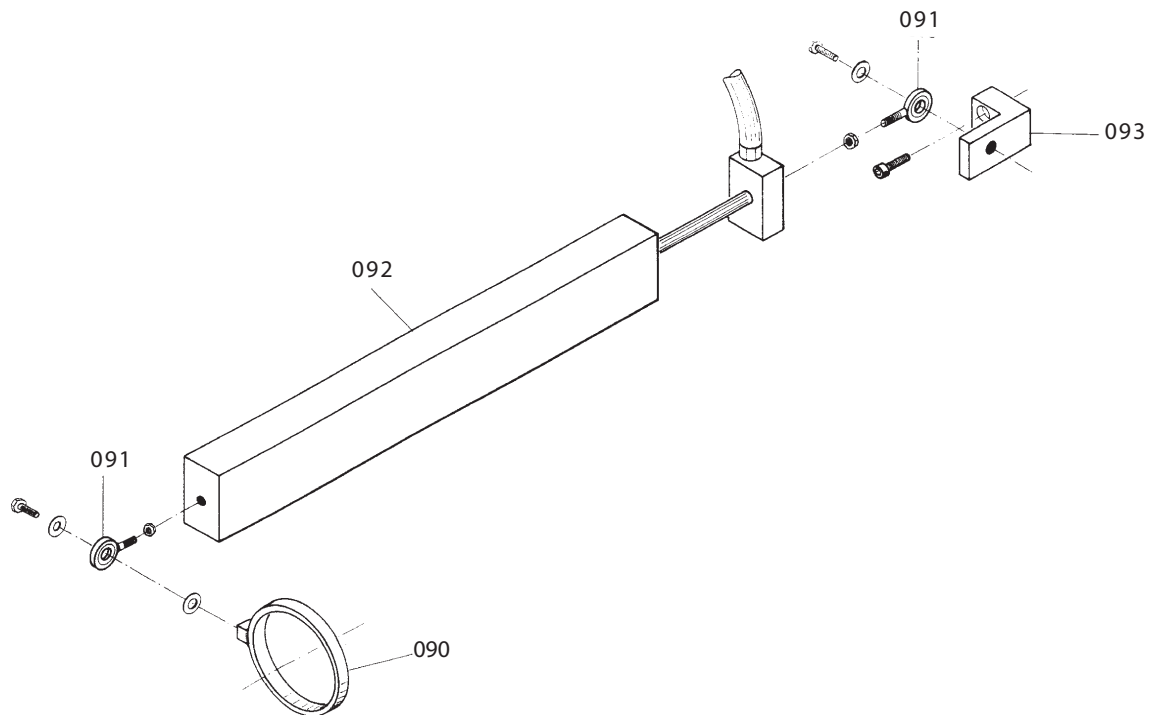


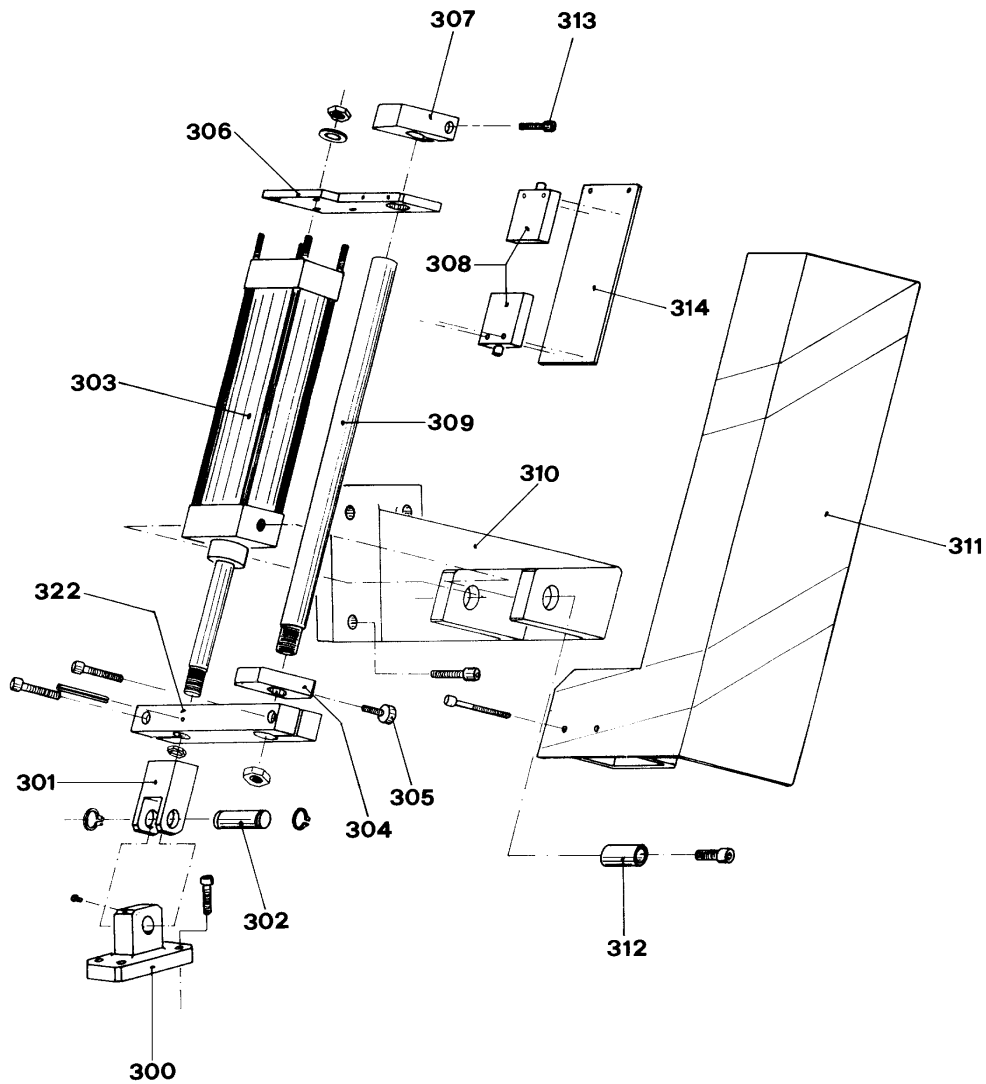
### MEASUREMENT ASSEMBLY



REF.NR	DESCRIPTION	CODE
--------	-------------	------

090	Transducer rear coupling	E 70W0932
091		
092	Linear transducer	73700003
093	Transducer front coupling	E 70W0931

### SAW-FRAME CYLINDER ASSEMBLY



REF.NR	DESCRIPTION	CODE
--------	-------------	------

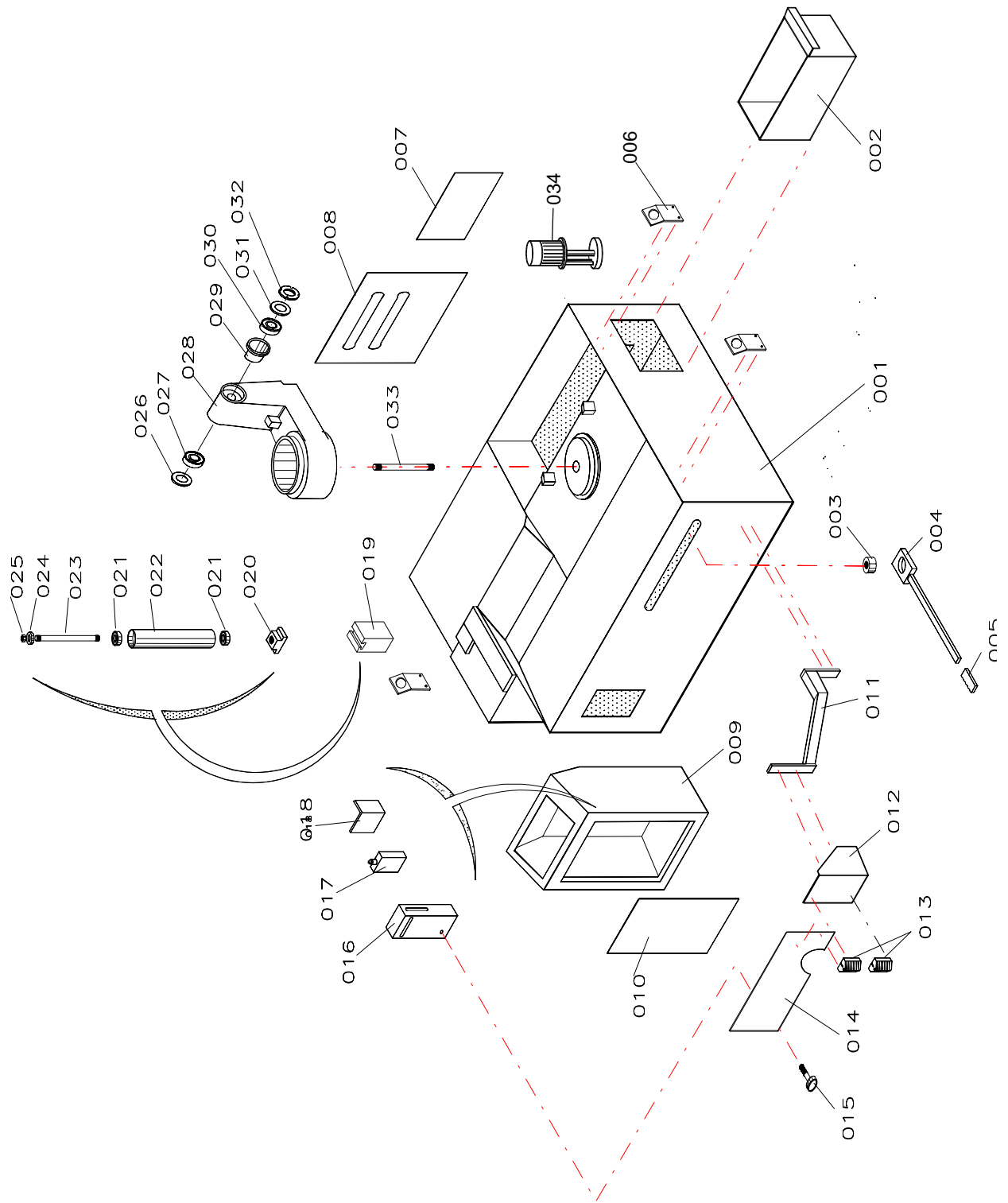
300	Cylinder dowel .....	AGC80221
301	Cylinder fork .....	AF880082
302	Fork pin .....	AF880080
303	Saw-frame cylinder .....	78100056
304	Lower adjustable stop..	AF88D085
306	Upper plate .....	AFB40089

REF.NR	DESCRIPTION	CODE
--------	-------------	------

307	Upper adjustable stop..	E50H0264
308	Microswitch .....	72212000
309	Stop bar .....	AFC90222
310	Cylinder joint .....	110H0007
311	Cylinder guard .....	AFC90225
312	Cylinder articulation .....	AFC80176
313	Screw TCEI M 10 .....	81110110
314	Microswitch holder plate .....	AF88C085
322	Rod holder block .....	AFB40085

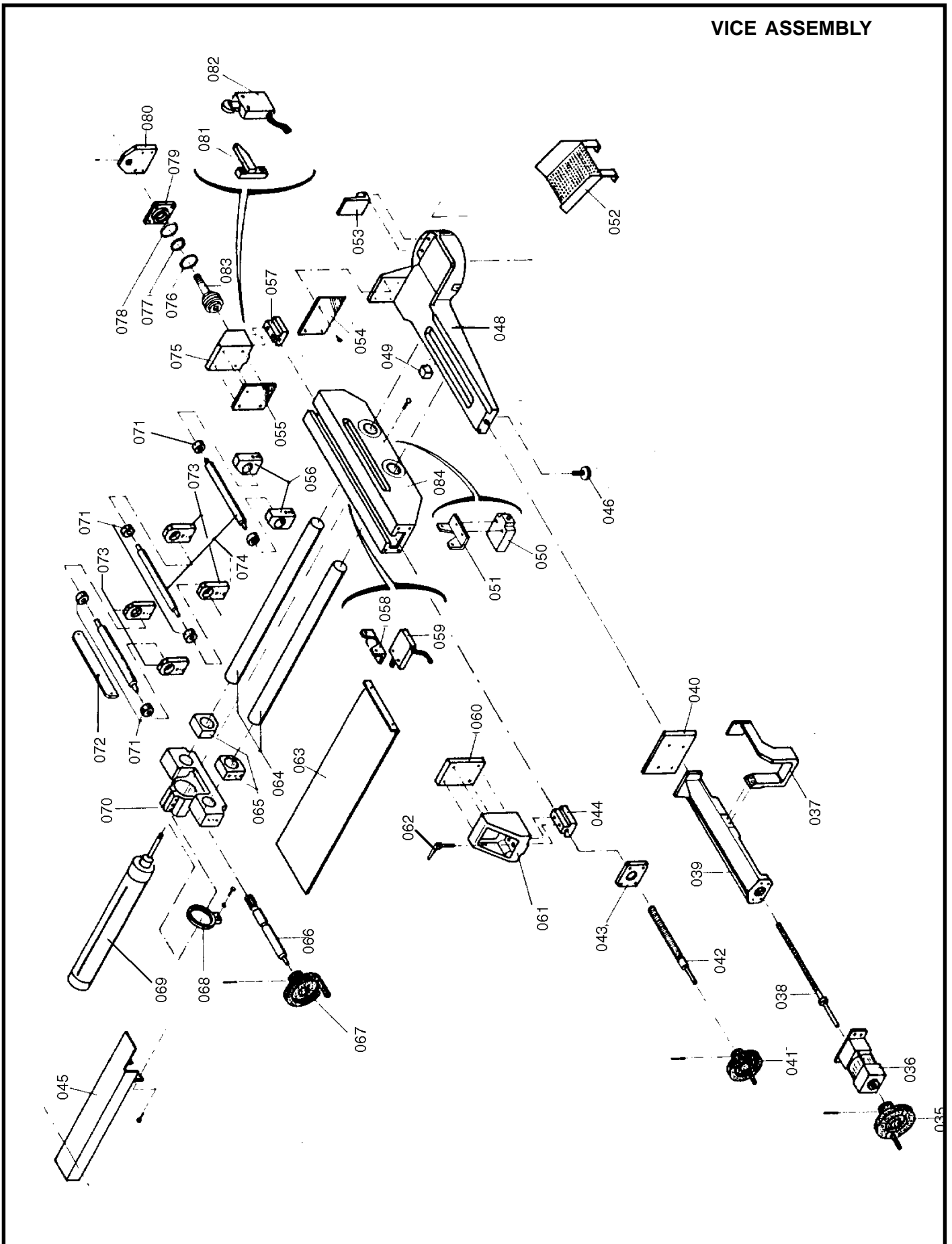
PRICE I.T.L.

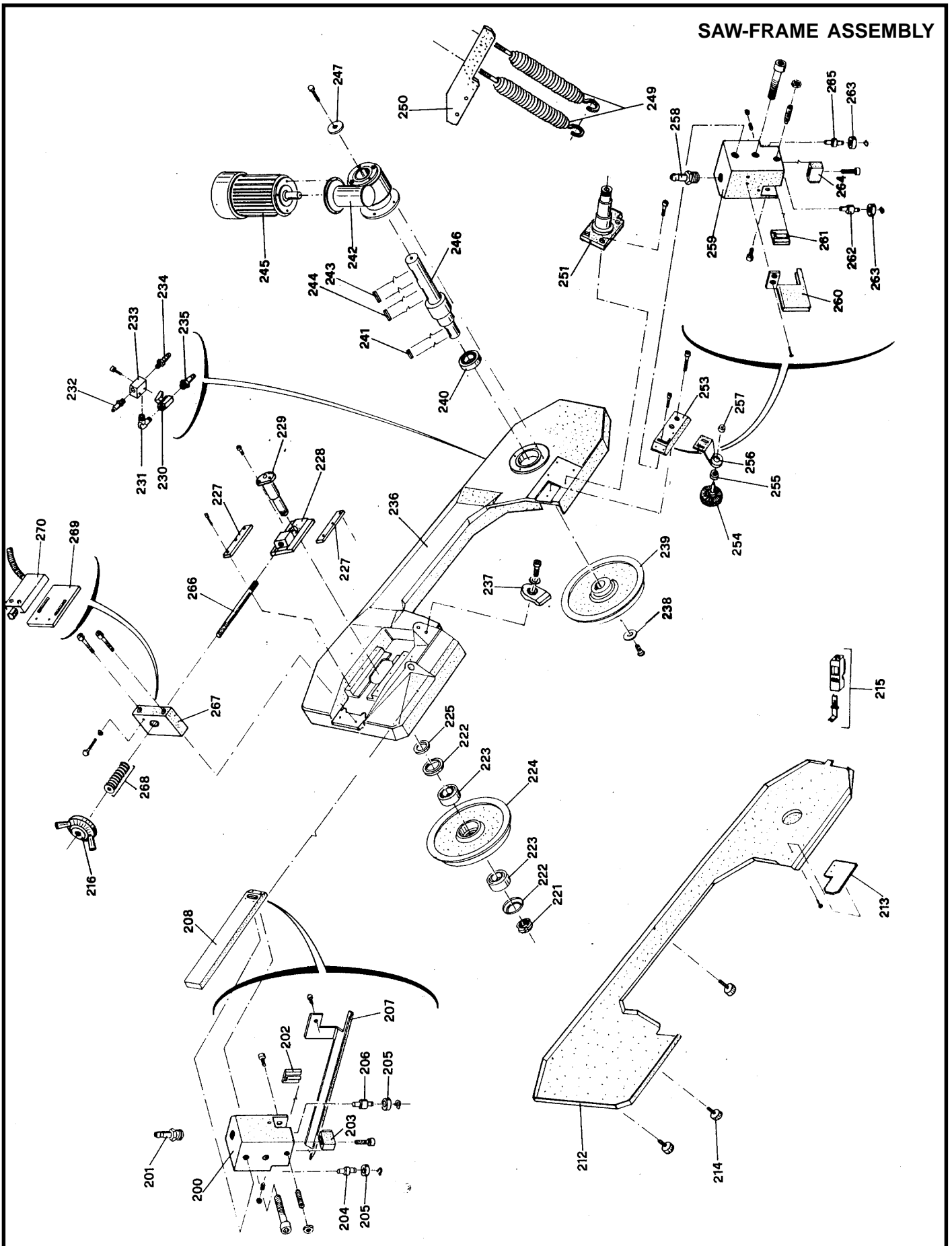
### BEDPLATE ASSEMBLY





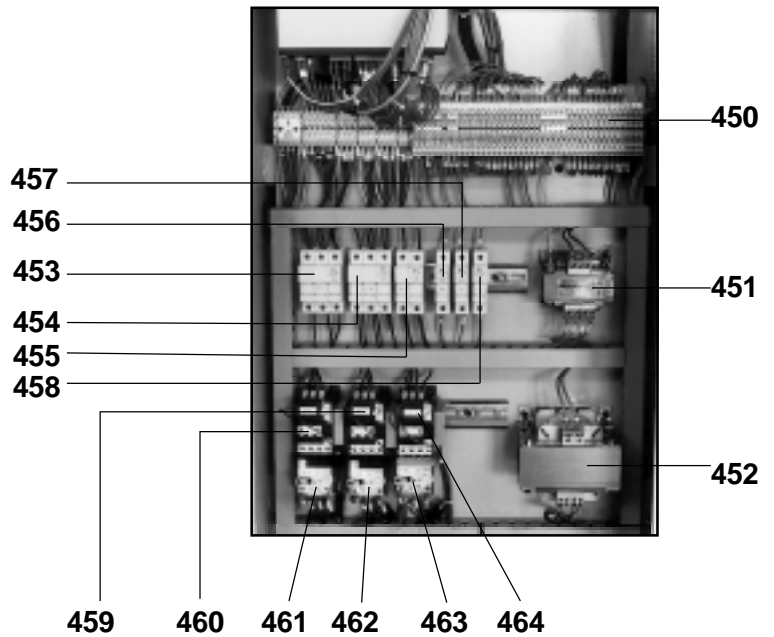
### VICE ASSEMBLY





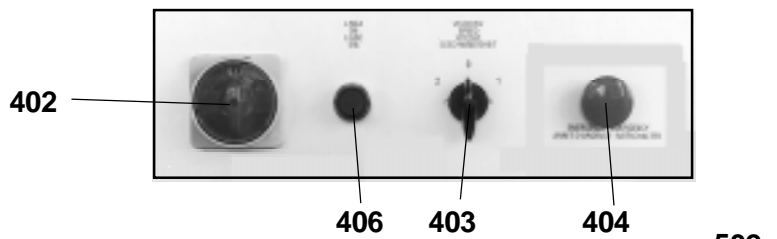
### KEY

- 450 Terminal board
- 451 Transformer
- 452 TC transformer
- 453 FU1 fuse holder
- 454 FU2 fuse holder
- 455 FU3 fuse holder
- 456 FU4 fuse holder
- 457 FU5 fuse holder
- 458 FU6 fuse holder
- 459 KM2 remote control switch
- 460 KM1 remote control switch
- 461 FR1 thermal relay
- 462 FR2 thermal relay
- 463 FR3 thermal relay
- 464 KM3 remote control switch



### KEY

- 401 SAW2 electronic instrument
- 402 Main switch
- 403 Speed switch
- 404 Emergency push-button
- 405 Saw-frame regulator
- 406 Light push-button



### KEY

- 501 Pressure gauge
- 502 Electric motor
- 503 Plug

