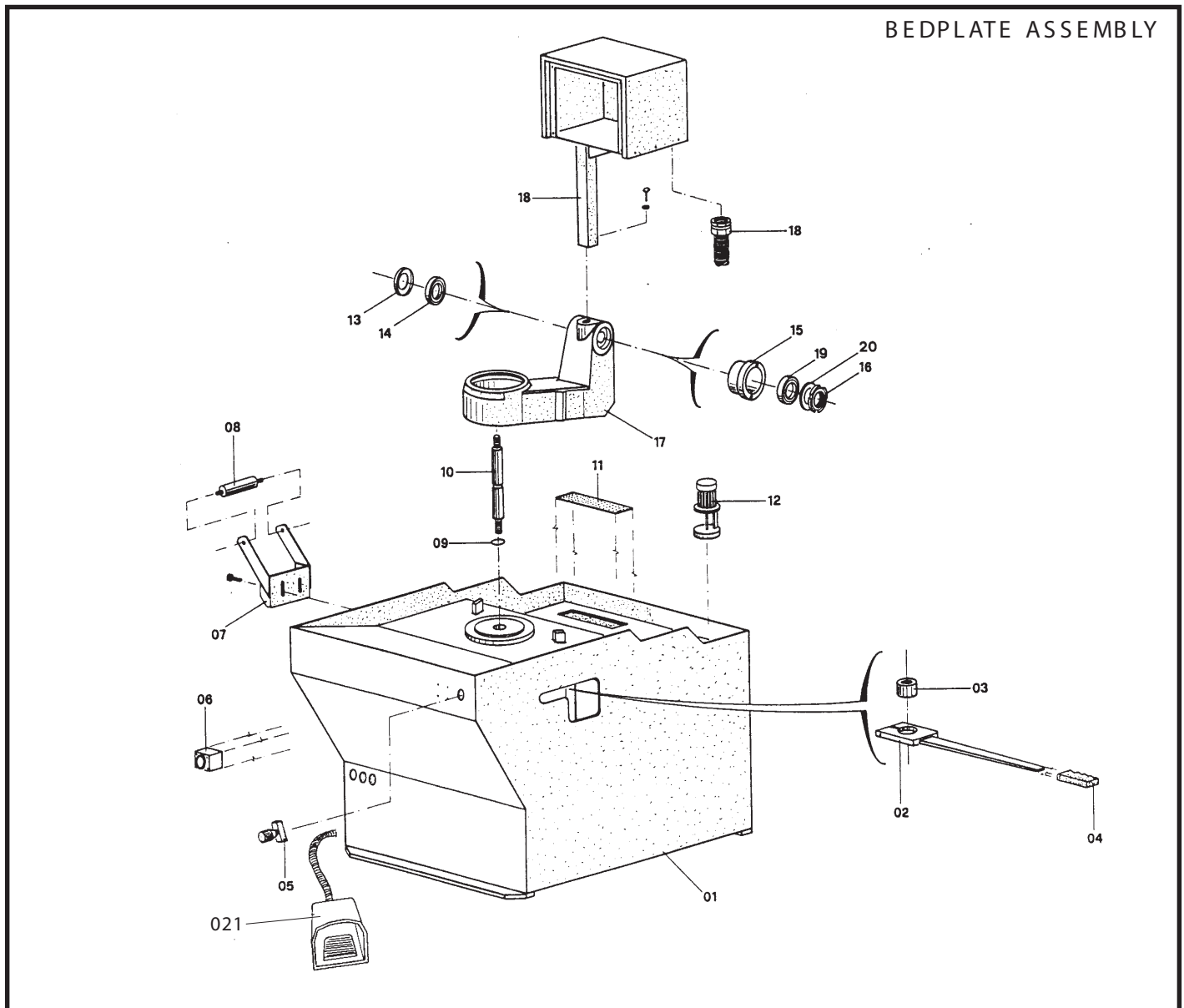


LIST OF SPARE PARTS TRAD 350 SO



BEDPLATE ASSEMBLY

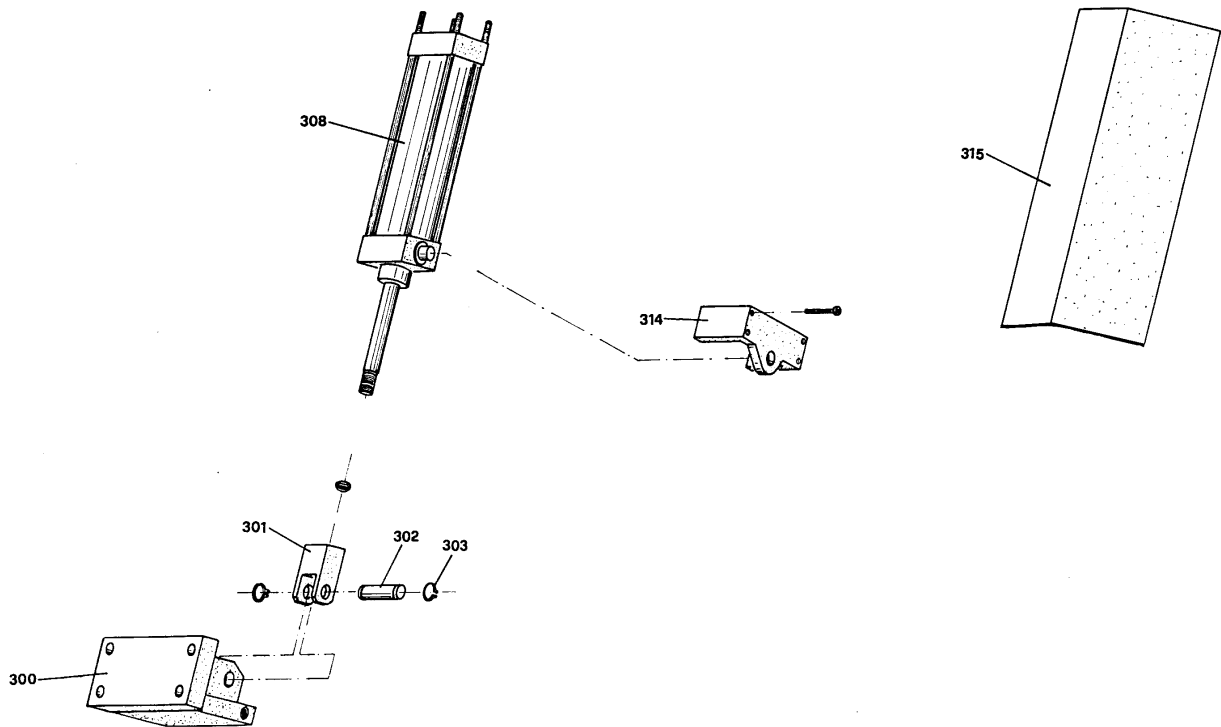
REF.NR.	DESCRIPTION	CODE
---------	-------------	------

01	Bedplate	010A0002
02	Arm locking lever.....	120A0001
03	Arm locking bush.....	AFB80012
04	Lever handgrip	ANA40023
05	Regolator.....	88900004
06	Emergency psh-button..	70101000
07	Roller holding arm	E20A0004
08	Roller	49001001
09	O-Ring 4081	86002004
10	Roller arm pin.....	AFA40019
11	Crucible	180A0005

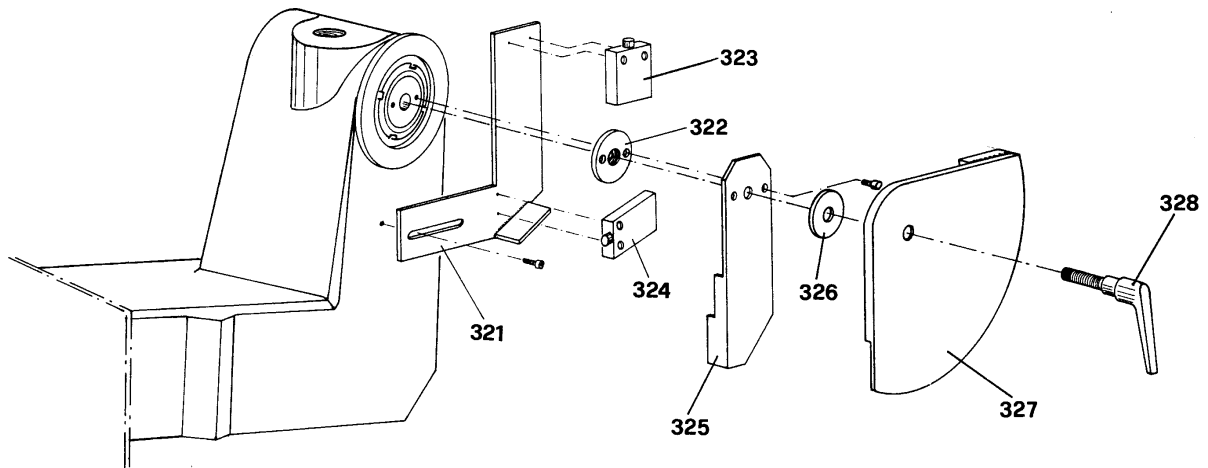
REF.NR.	DESCRIPTION	CODE
---------	-------------	------

12	Pump	88140002
13	NILOS ring	86005005
14	Bearing 32010 X	84320047
15	Eccentric bush.....	080A0003
16	GUK ring nut M 45	81700045
17	Arm	020A0001
18	Electric box	170E0011
19	Bearing 32009 X	84320039
20	NILOS ring	86005005
21	Start cycle foot-control..	73901000

SAW-FRAME CYLINDER ASSEMBLY



SAW-FRAME STROKE ADJUSTING ASSEMBLY



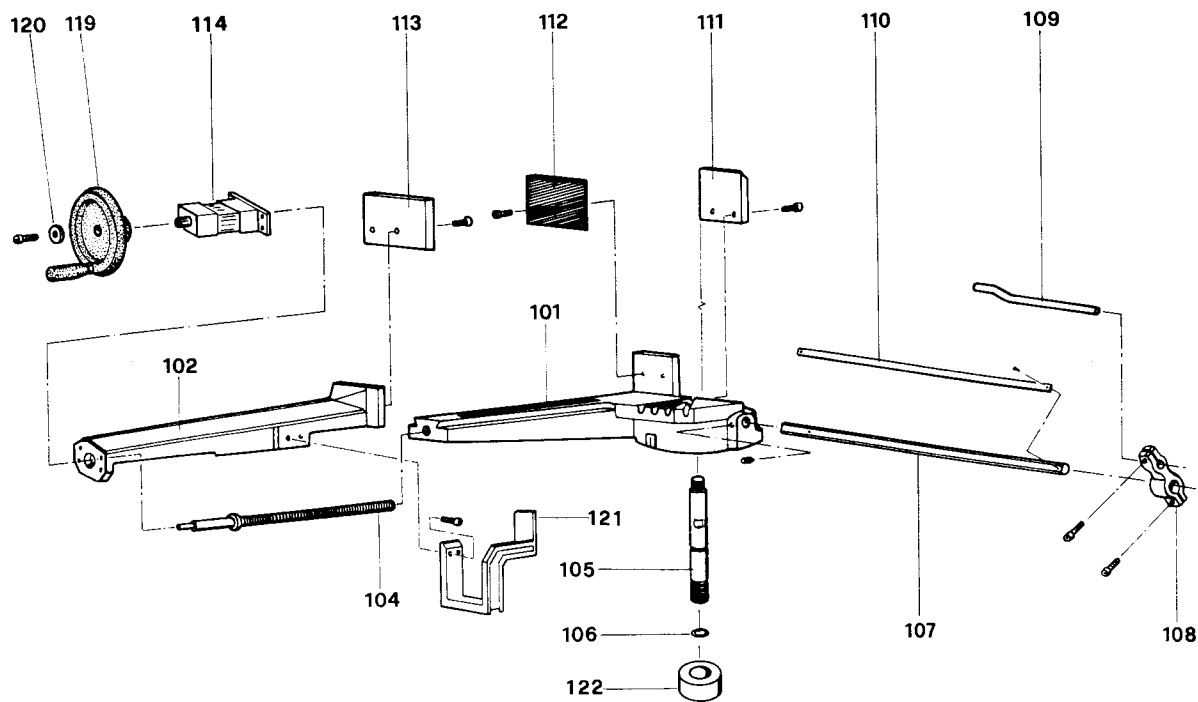
REF.NR.	DESCRIPTION	CODE
---------	-------------	------

300	Front bracket.....	110A0001
301	Cylinder fork	110H0006
302	Fork pin.....	AF880080
303	Seeger ring Ø 20	82600000
308	Cylinder	200H0002
314	Cylinder bracket	110C0001
315	Cylinder guard	160H0002

REF.NR.	DESCRIPTION	CODE
---------	-------------	------

321	Microswitch hold plate .	110H0010
322	Bush	080H0001
323	Microswitch.....	72212000
324	Microswitch.....	72212000
325	Plate for saw-fr.low pos.	110H0009
326	Washer	82100000
327	Plate for saw-fr.up. pos.	110H0008
328	Handle	46108000

VICE ASSEMBLY



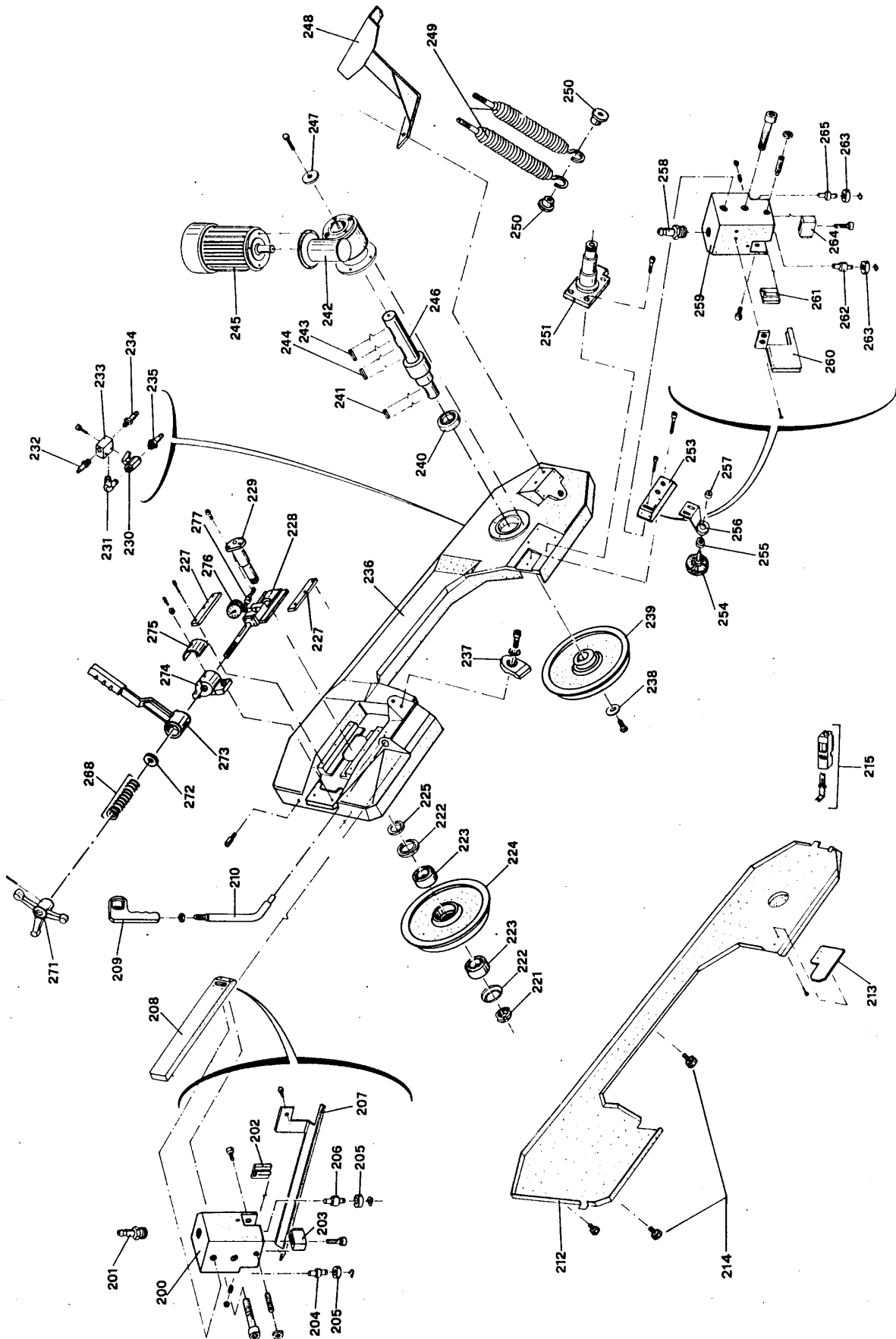
REF.NR.	DESCRIPTION	CODE
---------	-------------	------

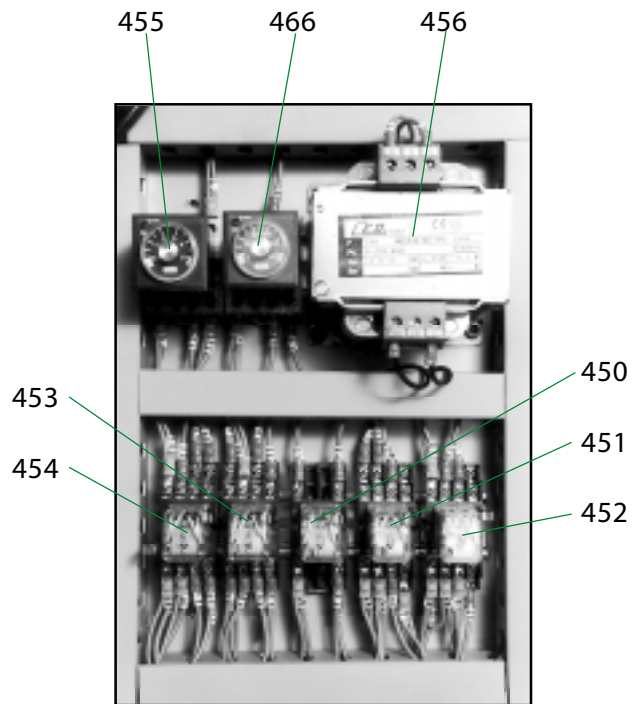
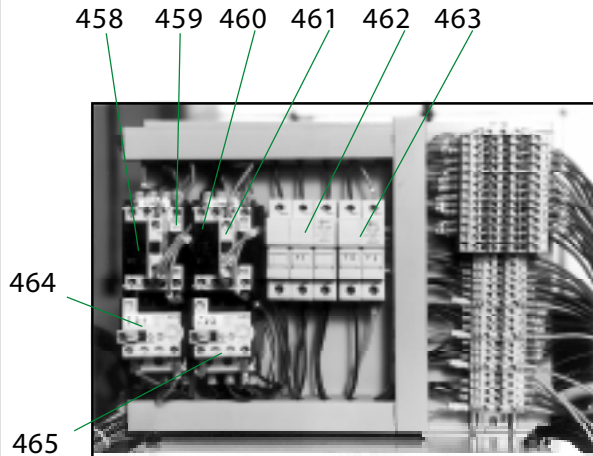
101	Straight countervise	AGA40070
102	Straight vice	AGA40071
103		
104	Vice screw	AFB40032
105	Pin	AFA40019
106	OR ring 4081	86002004
107	Bar stop rod	AFB80024
108	Bar stop body	AG660047
109	Bar stop push rod	AFC40109
110	Bar stop rod scale	AHB80026
111	Countervise r.h. jaw	AGA40037

REF.NR.	DESCRIPTION	CODE
---------	-------------	------

112	Countervise jaw	AFA40074
113	Vice jaw	AFA40072
114	Vice cylinder	78100051
115		
116		
119	Vice handwheel	44116418
120	Washer	82100000
121	Anti-burr plate	AFA40076
122	Arm locking bushing	AFB80012

SAW-FRAME ASSEMBLY



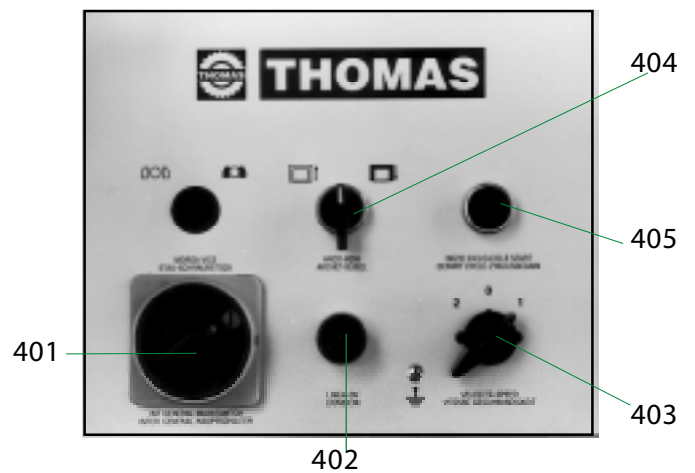


KEY

450 Auxiliary relay	72300000
451 Auxiliary relay	72300000
452 Auxiliary relay	72300000
453 Auxiliary relay	72300000
454 Auxiliary relay	72300000
455 KT Timer	73500000
456 TC1 transformer	73320011
457 Terminal board	68303012
458 KM1 remote control switch	73401001
459 Auxiliary contact	72610001
460 KM2 remote control switch	73401001
461 Auxiliary contact	72610001
462 Fuse holder	73142005
463 Fuse holder	73142005
464 FR1 temperature relay	72607001
465 FR2 temperature relay	72607001
466 KT Timer	73500000

KEY

401 Main switch	70201001
402 Start push-button	70101000
403 Speed switch	70201015
404 Saw-frame selector	71100000
405 Cycle start push-button	70101000



KEY

501 Vice hydraulic solenoid valve	88121027
502 Saw-frame hydraulic solenoid v. ...	88121027
503 Unit oil level	88121017
504 Pressure gauge	88101000
505 Hydraulic unit motor	74302060
506 Plug	88121016

