

### - LIST OF SPARE PARTS TRAD 350

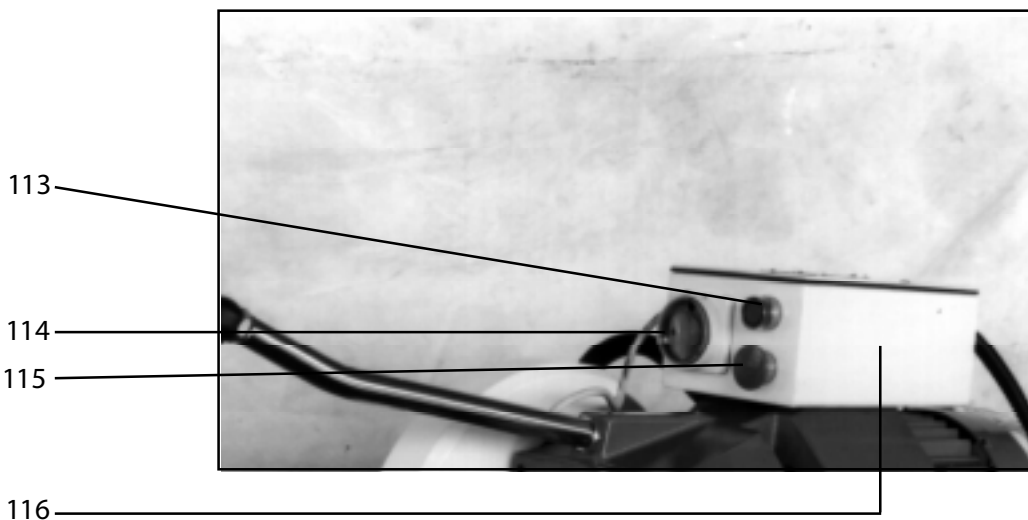
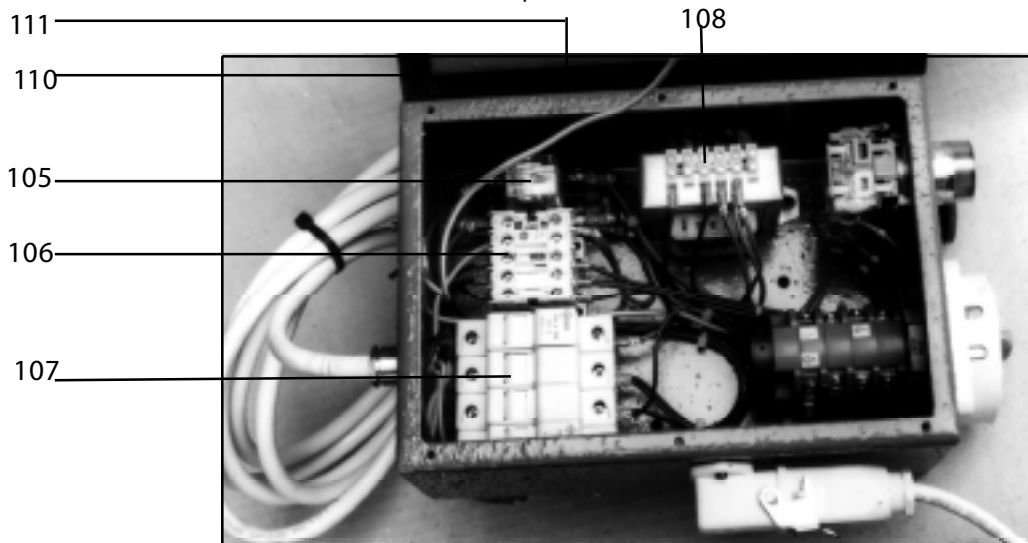
BEDPLATE ASSEMBLY

REF.NR.	DESCRIPTION	CODE	REF.NR.	DESCRIPTION	CODE
01	Bedplate .....	010A0002	12	Pump .....	88140002
02	Arm locking lever.....	120A0001	13	NILOS ring .....	86005005
03	Arm locking bush.....	AFB80012	14	Bearing 32010 X .....	84320047
04	Lever handgrip .....	ANA40023	15	Eccentric bush .....	080A0003
05			16	GUK ring nut M 45 .....	81700045
06	Emergency psh-button .	70101000	17	Arm .....	020A0001
07	Roller holding arm .....	E20A0004	18	Electric box .....	170E0011
08	Roller .....	49001001	19	Bearing 32009 X .....	84320039
09	O-Ring 4081 .....	86002004	20	NILOS ring .....	86005005
10	Roller arm pin .....	AFA40019			
11	Crucible .....	180A0005			

### ELECTRICS COMPONENTS TRAD 350 ECO.

#### KEY

- 105 Auxiliry relay ..... 72300000
- 106 Remote control switch ..... 73401001
- 107 Fuse holder ..... 73142005
- 108 Transforer ..... 73327011
- 110 Cover gasket..... D80E0306
- 111 Cover ..... included part. 116

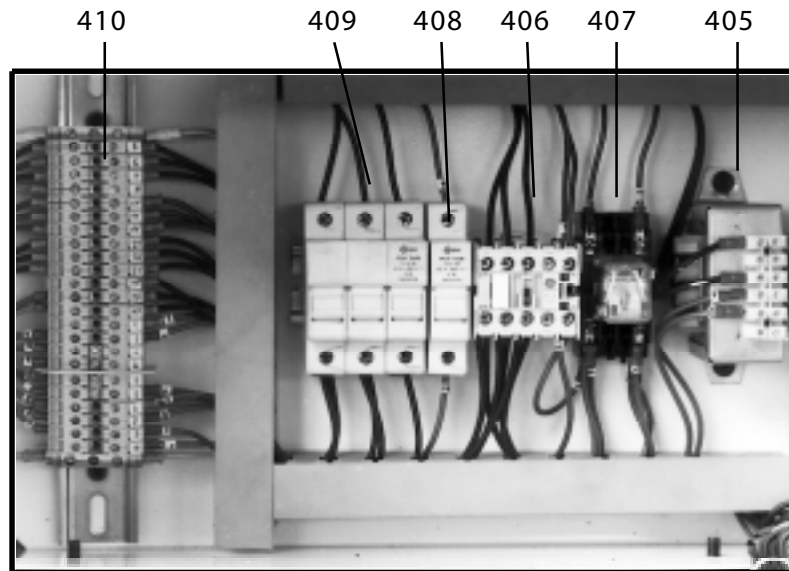


#### KEY

- 113 Reset push-button ..... 70101000
- 114 Speed switch ..... 70221018
- 115 Emergency push-button ..... 70101000
- 116 Electric box ..... D80E0305

KEY

- 405 Transformer ..... 73327012
- 406 Remote control switch ..... 73401001
- 407 Auxiliary relay ..... 72300000
- 408 Fuse holder ..... 73142005
- 409 Fuse holder ..... 73142005
- 410 Terminal board ..... 68303012



401

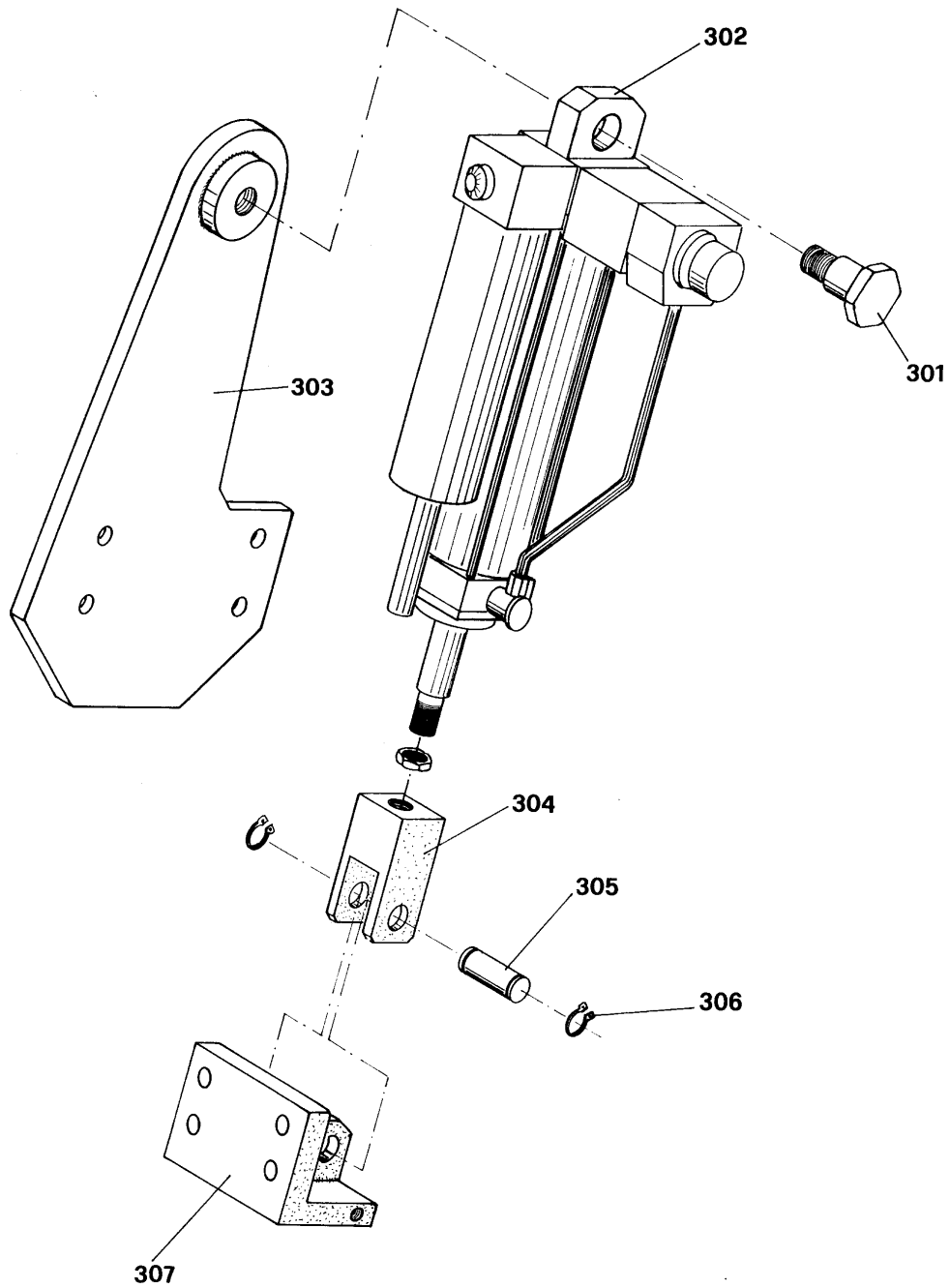
402

403

KEY

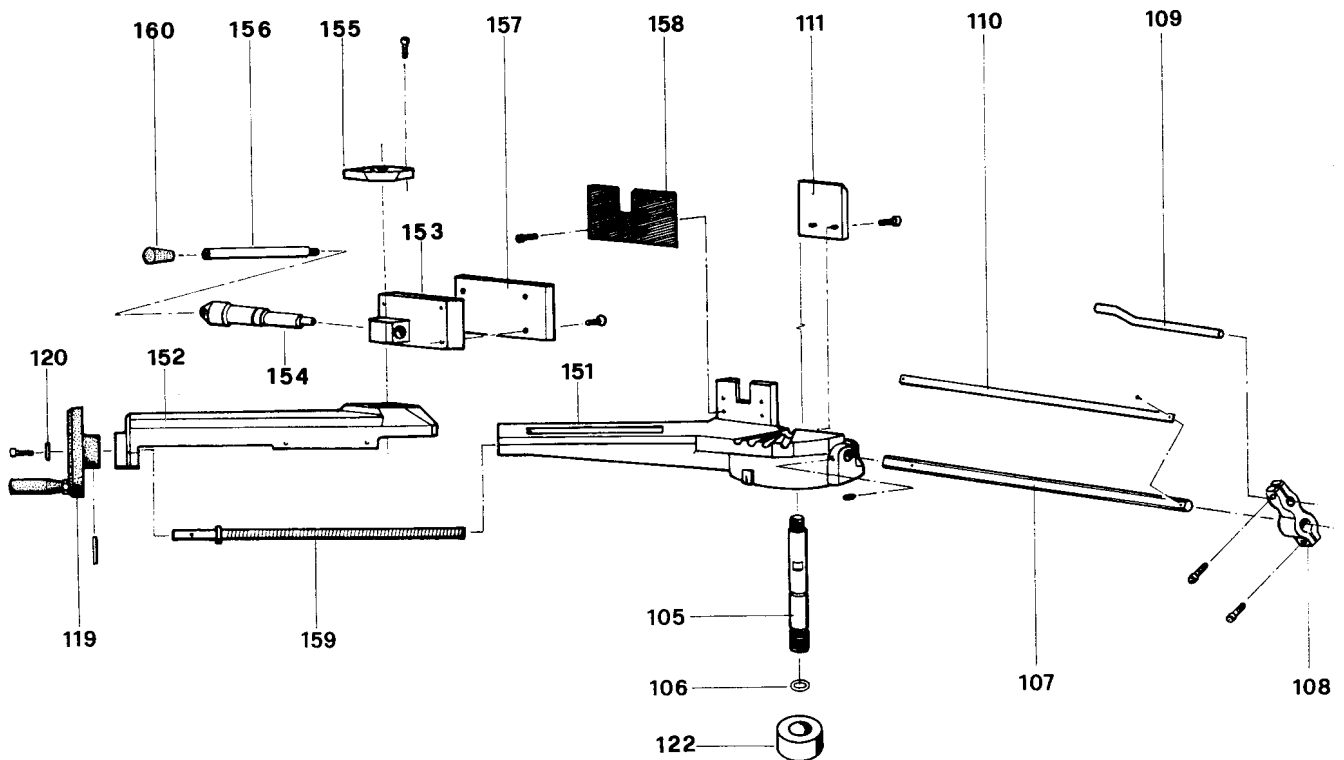
- 401 Main switch 70201001
- 402 Reset push-button 70101000
- 403 Speed switch 70201016

### BRAKE ASSEMBLY



REF.NR.	DESCRIPTION	CODE
301	Cylinder articulation .....	AF750022
302	Electro-bake .....	78102005
303	Plate .....	110H0005
304	Cylinder fork .....	110H0004
305	Cylinder pin .....	AF880080
306	Seeger ring Ø 20 .....	82600000
307	Cylinder bracket .....	110A0001

### INCLINED VICE ASSEMBLY



REF.NR.	DESCRIPTION	CODE
---------	-------------	------

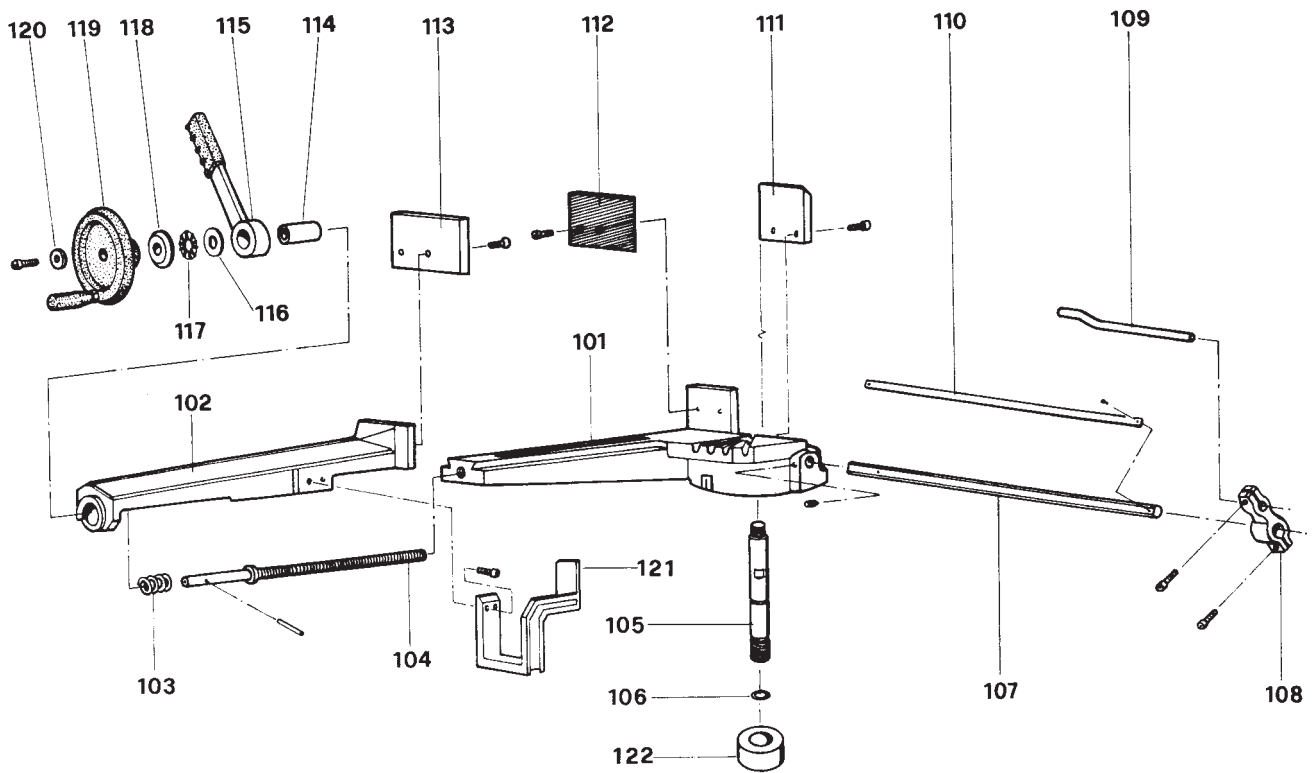
105	Revolving arm lock.pin.	AFA40019
106	OR ring 4081 .....	86002004
107	Bar stop rod .....	AFB80024
108	Bar stop body .....	AG660047
109	Bar stop push rod .....	AFC40109
110	Bar stop rod scale .....	AHB80026
111	Countervise r..h. jaw .....	AGA40037
119	Vice handwheel .....	44116418
120	Washer .....	82100000
122	Revol.arm lock. bushing	AFB80032

REF.NR.	DESCRIPTION	CODE
---------	-------------	------

151	Inclined countervise .....	AGA40007
152	Inclined vice .....	AGA40008
153	Quick lock support.....	AG750053
154	Locking cam .....	AF750055
155	Plate on vice .....	AF750056
156	Quick lock handle .....	AF750059
157	Inclined vice jaw .....	AFA40054
158	Inclined c.vice jaw .....	AFA40052
159	Inclined vice screw .....	AFA40057
160	Handgrip .....	44411512



### STRAIGHT VICE ASSEMBLY



REF.NR.	DESCRIPTION	CODE
---------	-------------	------

101	Straight countervise .....	AGA40070
102	Straight vice .....	AGA40071
103	Quick locking vice spring	AFB80035
104	Straight vice screw .....	AFA40091
105	Pin .....	AFA40019
106	OR ring 4081 .....	86002004
107	Bar stop rod .....	AFB80024
108	Bar stop body .....	AG660047
109	Bar stop push rod .....	AFC40109
110	Bar stop rod scale .....	AHB80026
111	Countervise r.h. jaw .....	AGA40037

REF.NR.	DESCRIPTION	CODE
---------	-------------	------

112	90° countervise jaw .....	AFA40074
113	90° vice jaw .....	AFA40072
114	Quick locking vice bush	AFB80032
115	Quick locking vice lever	AGB80031
116	Fifth wheel AX 30 47+	
117	Bearing CP 30 47 .....	84500001
118	Washer .....	AFB80033
119	Vice handwheel .....	44116418
120	Washer .....	82100000
121	Anti-burr plate .....	AFA40076
122	Arm locking bushing ....	AFB80012

## SAW-FRAME ASSEMBLY

