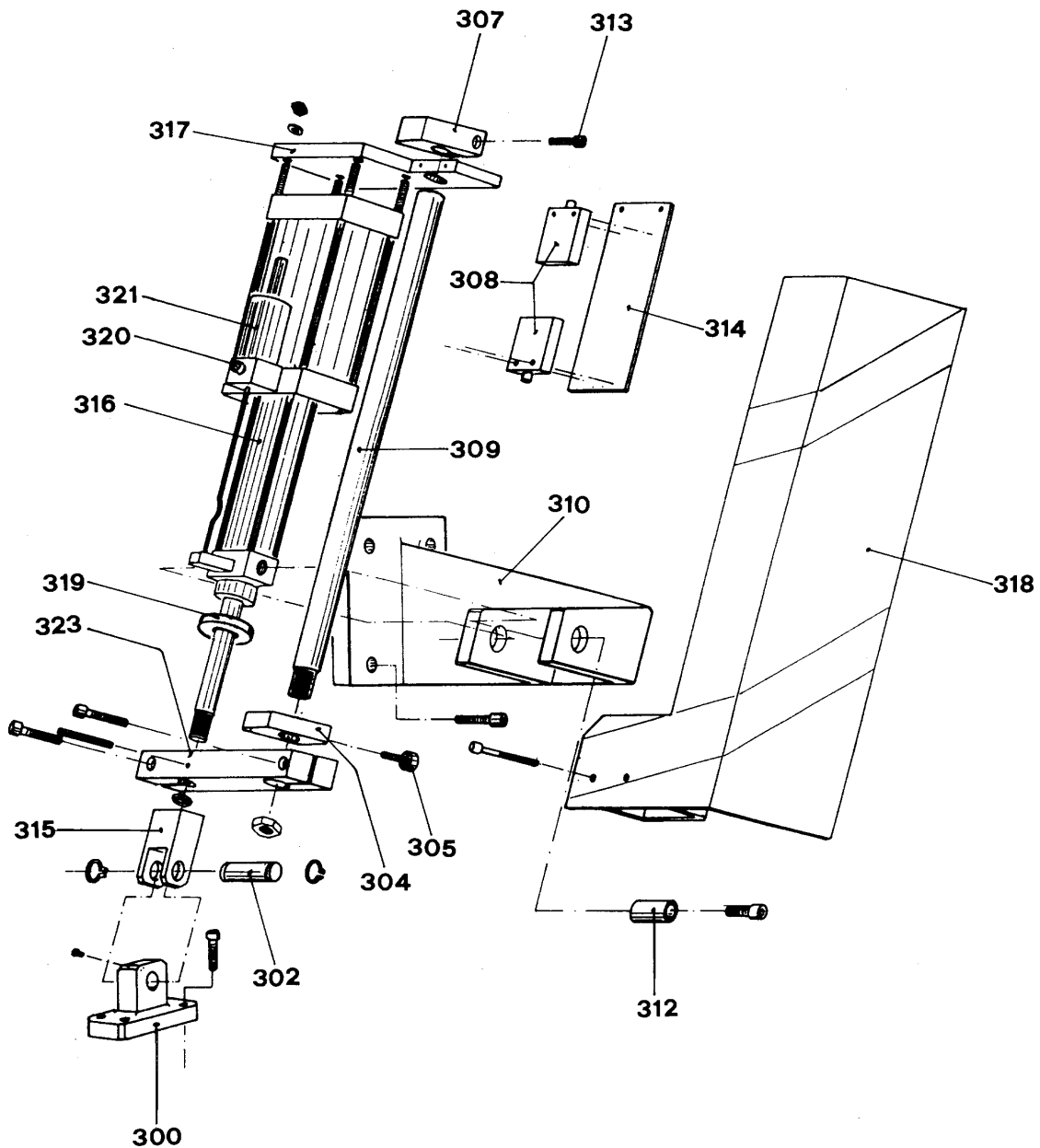


### LIST OF SPARE PARTS ZIP 290 I

BEDPLATE ASSEMBLY

REF .NR.DESCRPTION	CODE	PRICE ITL.	REF.NR.DESCRPTION	CODE	PRICE IT
002 Arm locking lever.....	AG280027		010 Arm for 0° - 45° .....	AGC40056	
004 Bedplate .....	E30A0001		011 Arm for 0° - 60° .....	AGC40120	
005 Spring attachment .....	AF750024		012 Pump .....	88140020	
006 Filter .....	AF750107		013 Cooling liquid tap .....	88600000	
007 Nilos ring 32007XAV ....	86005005		014 Rubber ring coupling ...	69501000	
008 Bearing 32007 X .....	84320025		015 Roller .....	49001003	
009 Bushing .....	E20A0010		016 Roller holding arm .....	E20A0004	

### SAW FRAME CYLINDER ASSEMBLY



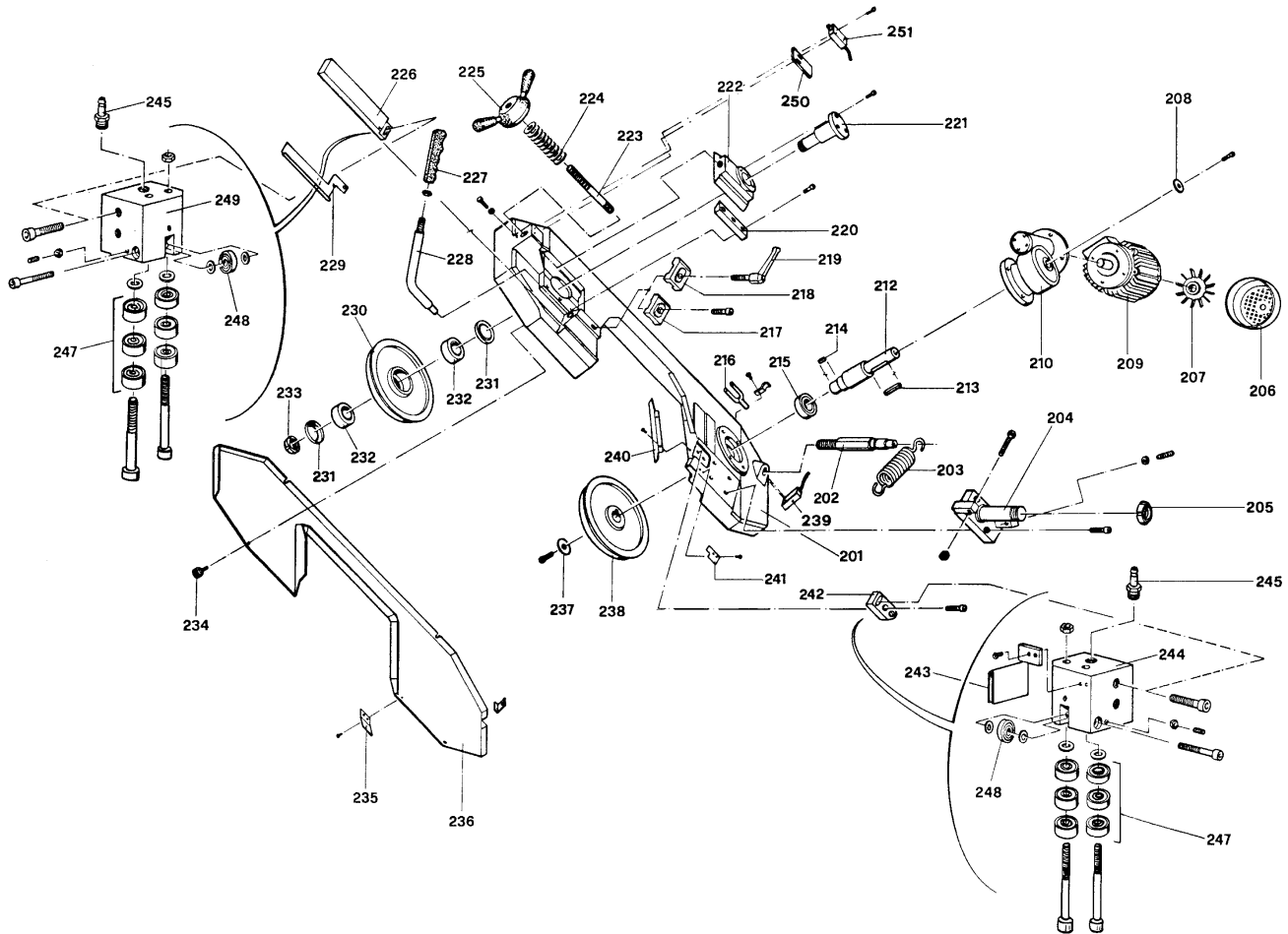
REF.NR.	DESCRIPTION	CODE
---------	-------------	------

300	Dowel .....	AGC80221
302	Pin on fork .....	AF880080
304	Lower adjustable stop..	AF88D085
305	Knob .....	44101213
307	Upper adjustable stop..	E50H0264
308	Microswitch.....	72212000
309	Stop bar .....	AFC80231
310	Cylinder attachment.....	AGC80220
312	Cylinder articulation .....	AFA70074
313	Screw TCCE M 10 .....	81110110

REF.NR.	DESCRIPTION	CODE
---------	-------------	------

314	Micros.holding plate ....	AF88C085
315	Saw frame cylinder coupling fork .....	AF880082
316	Saw frame cylinder .....	78100043
317	Upper plate .....	AF88E085
318	Cylinder guard .....	AFC80232
319	Cylinder thickness .....	AFC80233
320	Tank plug .....	88302002
321	Cylinder tank .....	53400209
322	Rod supporting block ...	AF880085

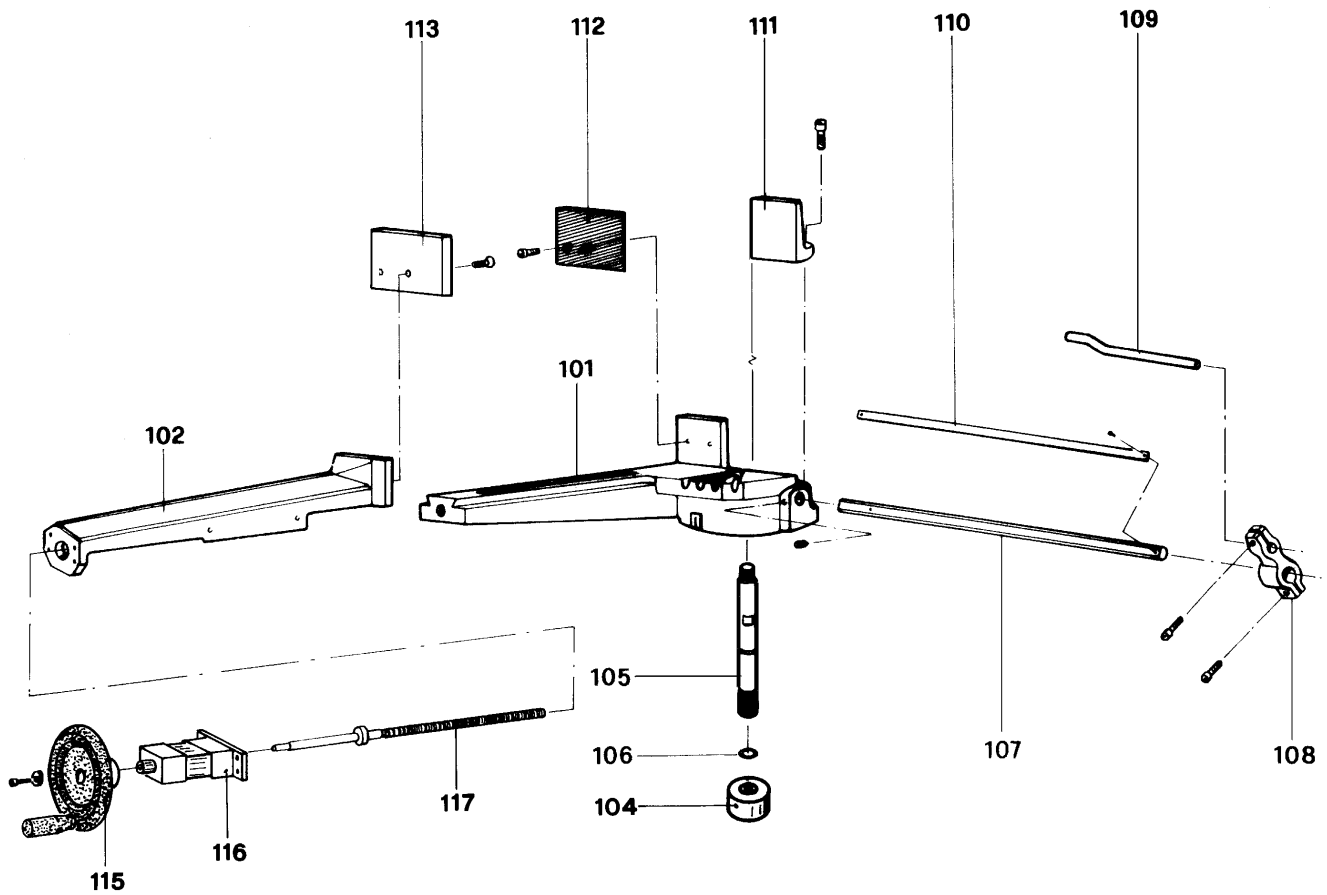
### SAW FRAME ASSEMBLY



REF.NR.	DESCRIPTION	CODE
201	Saw-frame	AHC40011
202	Spring attachment	AFC40131
203	Spring	E20C0068
204	Hinge pin	AFC40057
205	Ring nut GUK 35	81700035
206	Motor cover	53500112
207	Motor fan	53500128
208	Washer	D80C0083
209	Motor 3ph	74322050
210	Reduction unit 3ph	76200001
211		
212	Motor shaft	AFC40024
213	Key 8 x 7 x 50	82502082
214	Key 8 x 7 x 25	82502082
215	Bearing 6208-2RS	84113062
216	Two-way distributor	AFC40052
217	Mobile rod lock.dowel 60°	AFC40051
218	Mobile rod lock.dowel 45°	AFC40051
219	Handle M12 x 60	46112000
220	Blade tension slide gib	AFC40033
221	Return flywheel slide	AFC40035
222	Blade tension slide	AGC40032
223	Blade tension slide threaded-rod	AFC40034
224	Belleville washer	82505101

RIF.NR.	DESCRIPTION	CODE
225	Blade tens. handwheel	47200000
226	Bladeguide head mov.rod	E20C0064
227	Handgrip with STZ	44600001
228	Saw-frame mov.lever	AFA40127
229	Blade-guide rod guard	E20C0070
230	Return flywheel	AGC40031
231	Nilos ring 32006XAV	86005005
232	Bearing 32006 X	84320017
233	Ring nut GUK 30	81700030
234	Knob	44114512
235	Blade left-hand guard	E20C0069
236	Flywheel guard	AFC40013
237	Motor flywheel washer	D80C0083
238	Motor flywheel	AGC40021
239	Guard microswitch	72212000
240	Motor flywheel guard	AFC40017
241	Blade right-hand guard	AFC40047
242	Bl.-guide head fixed rod	E20C0063
243	Blade add.protection	AFA40048
244	Bl.-guide fixed head	E20C0065
245	Rubber holder coupling	69501000
247	Bearing 608-2RS	84113010
248	Bearing 626-2RS	84113005
249	Bl.-guide mobile head	E20C0066
250	Micro holding plate	E30E0202
251	Blade tension micro	72212000

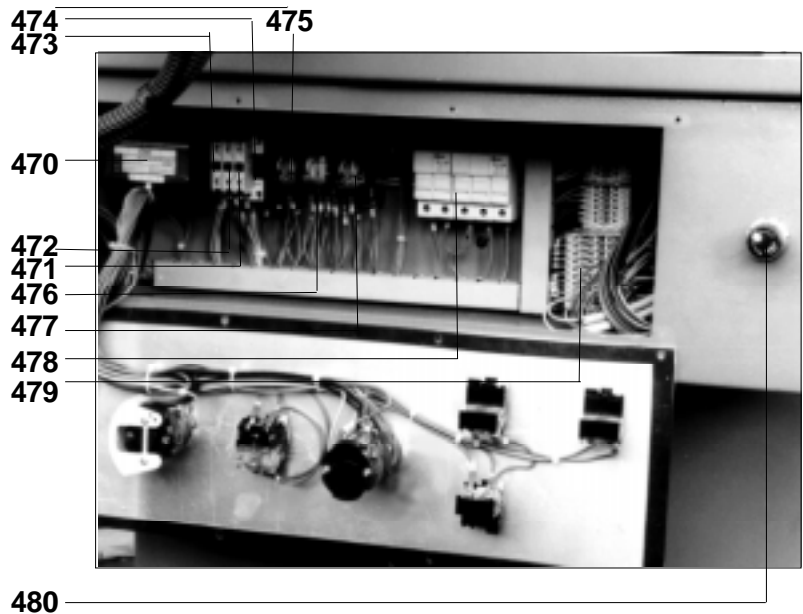
### STRAIGHT VICE ASSEMBLY



REF.NR.	DESCRIPTION	CODE	PRICE ITL.	REF.NR.	DESCRIPTION	CODE	PRICE ITL.
101	Straight countervice .....	AGC40066		109	Bar stop push rod .....	AFC40109	
102	Straight vice .....	AGC40076		110	Scale .....	AHB80026	
104	Locking bush .....	AFB80012		111	Anti-burr jaw .....	AGC40068	
105	Rotation pin .....	AFC40060		112	Countervice jaw .....	E 20B 0031	
106	O-Ring 3081 .....	86002004		113	Vice jaw .....	E 20B 0032	
107	Bar stop rod .....	AFB80024		114	Pneumatic vice cylinder	78100044	
108	Bar stop .....	AG660047		115	Vice handwheel .....	44116418	

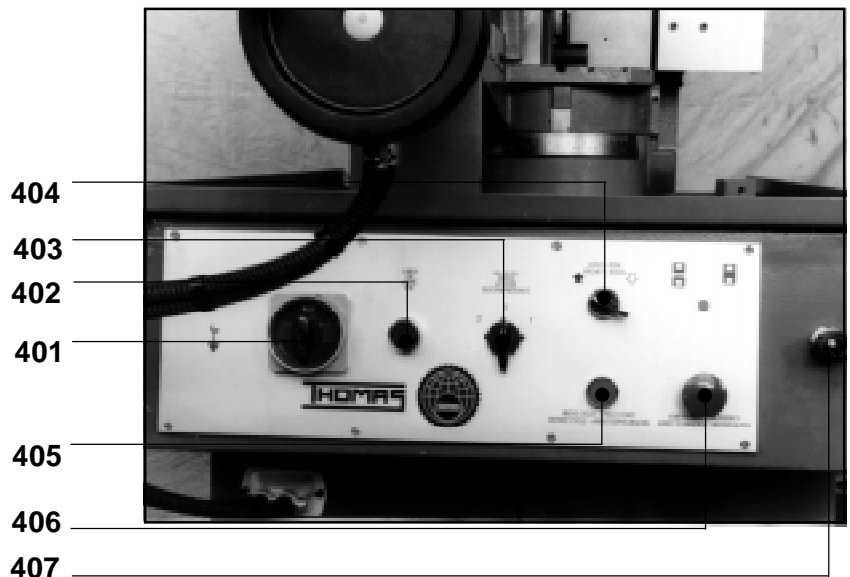
### ELECTRIC WIRING KEY

- 470 TC Transformer
- 471 Auxiliary contact
- 472 Auxiliary contact
- 473 Auxiliary contact
- 474 KM1 remote control switch
- 475 KA1 HC2 auxiliary relay
- 476 KA2 HC4 auxiliary relay
- 477 KA3 HC2 auxiliary relay
- 478 Fuse holder
- 479 Terminal board
- 480 Saw frame speed adjustment



### CONTROL PANEL KEY

- 401 Main switch
- 402 Start push button
- 403 Speed switch
- 404 Saw frame selector
- 405 Cycle start push-button
- 406 Emergency push-button
- 407 Saw frame lowering adjustment



### PNEUMATIC SYSTEM KEY

- 510 Filter-pressure regulator-lubrificator assembly
- 511 Pressure source connector
- 512 Saw frame cylinder valve coil
- 513 Saw frame cylinder valve
- 514 "YV3" coil for vice cylinder valve
- 515 Vice cylinder valve
- 516 "YV2" coil for vice cylinder valve
- 517 Pressure gauge

