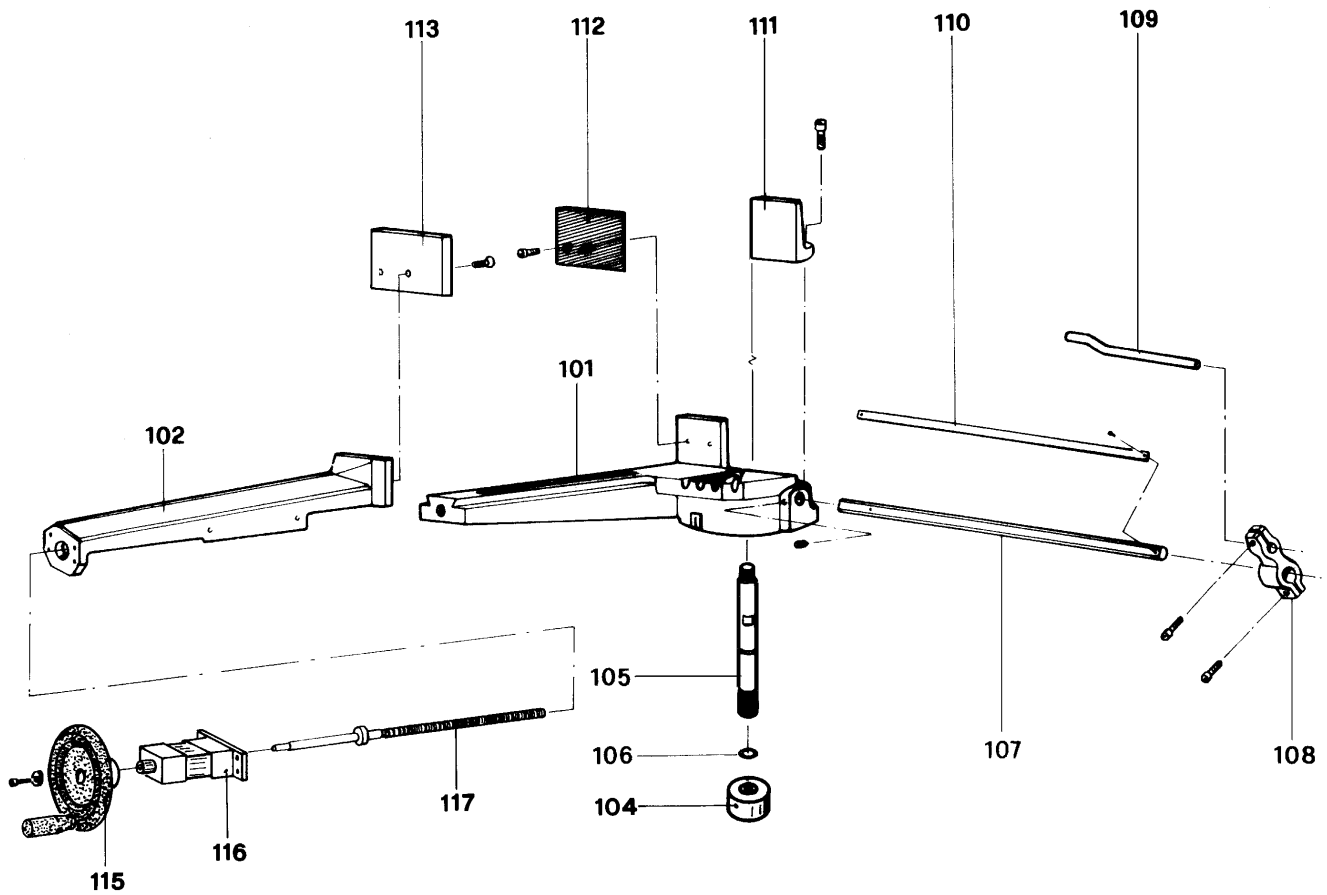


LIST OF SPARE PARTS ZIP 290 SO

BEDPLATE ASSEMBLY

| REF.NR.DESCRPTION | CODE | PRICE ITL. | REF.NR.DESCRPTION | CODE | PRICE ITL. |
|------------------------------|----------|------------|------------------------------|----------|------------|
| 002 Arm locking lever..... | AG280027 | | 010 Arm for 0° - 45° | AGC40056 | |
| 004 Bedplate | E30A0001 | | 011 Arm for 0° - 60° | AGC40120 | |
| 005 Spring attachment | AF750024 | | 012 Pump | 88140020 | |
| 006 Filter | AF750107 | | 013 Cooling liquid tap | 88600000 | |
| 007 Nilos ring 32007XAV | 86005005 | | 014 Rubber ring coupling ... | 69501000 | |
| 008 Bearing 32007 X | 84320025 | | 015 Roller | 49001003 | |
| 009 Bushing | E20A0010 | | 016 Roller holding arm | E20A0004 | |

STRAIGHT VICE ASSEMBLY



| REF.NR. | DESCRIPTION | CODE |
|---------|-------------|------|
|---------|-------------|------|

| | | |
|-----|----------------------------|----------|
| 101 | Straight countervise | AGC40066 |
| 102 | Straight vice | AGC40076 |
| 104 | Locking bush | AFB80012 |
| 105 | Rotation pin | AFC40060 |
| 106 | O-Ring 3081 | 86002004 |
| 107 | Bar stop rod | AFB80024 |
| 108 | Bar stop | AG660047 |

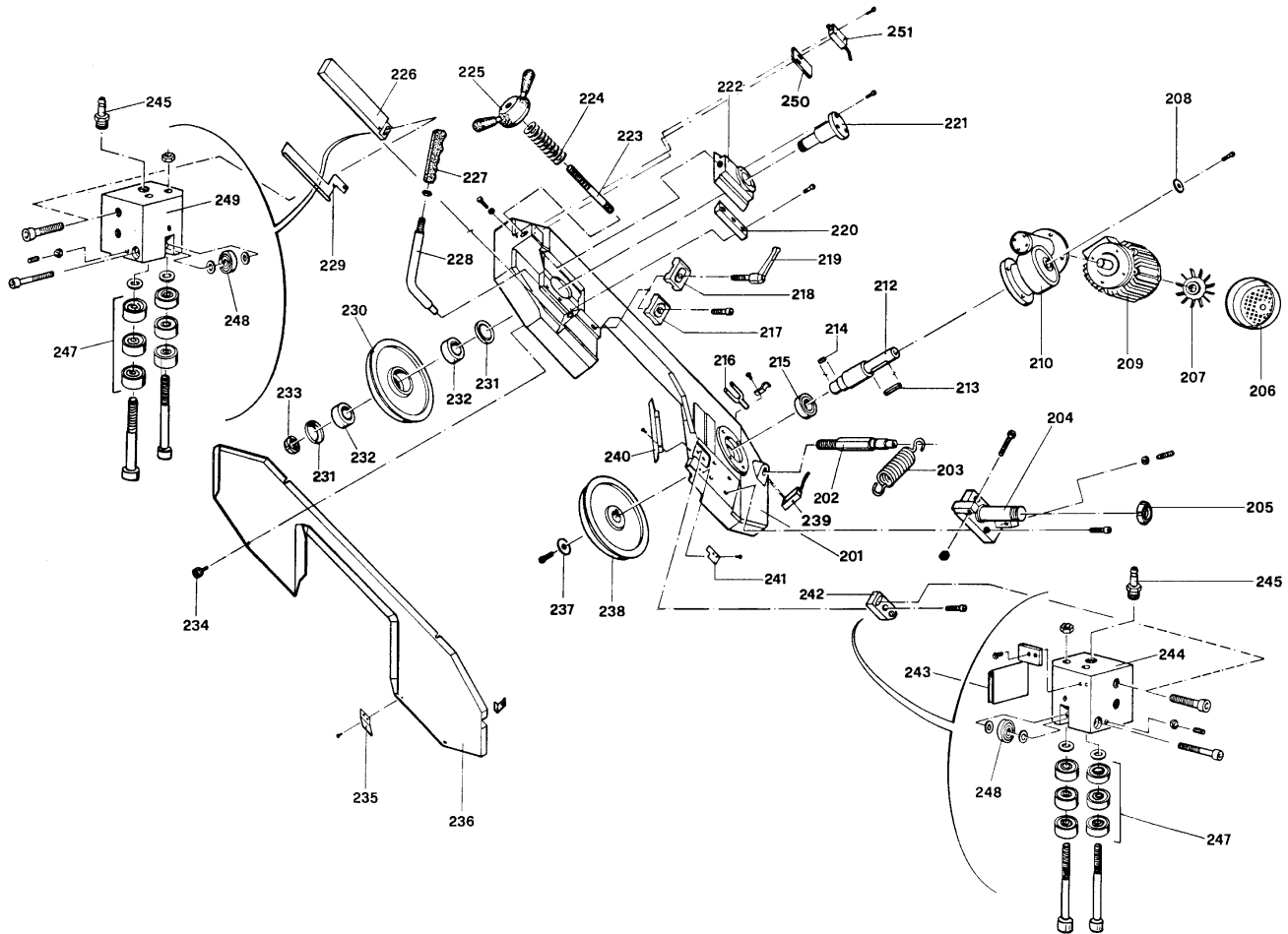
PRICE ITL.

| REF.NR. | DESCRIPTION | CODE |
|---------|-------------|------|
|---------|-------------|------|

| | | |
|-----|-------------------------------|----------|
| 109 | Bar stop push rod | AFC40109 |
| 110 | Scale | AHB80026 |
| 111 | Anti-burr jaw | AGC40068 |
| 112 | Countervise jaw | E20B0031 |
| 113 | Vice jaw | E20B0032 |
| 114 | Pneumatic vice cylinder | 78100044 |
| 115 | Vice handwheel | 44116418 |
| 116 | Vice cylinder | 78100057 |
| 117 | Vice screw | AFC90201 |

PRICE ITL.

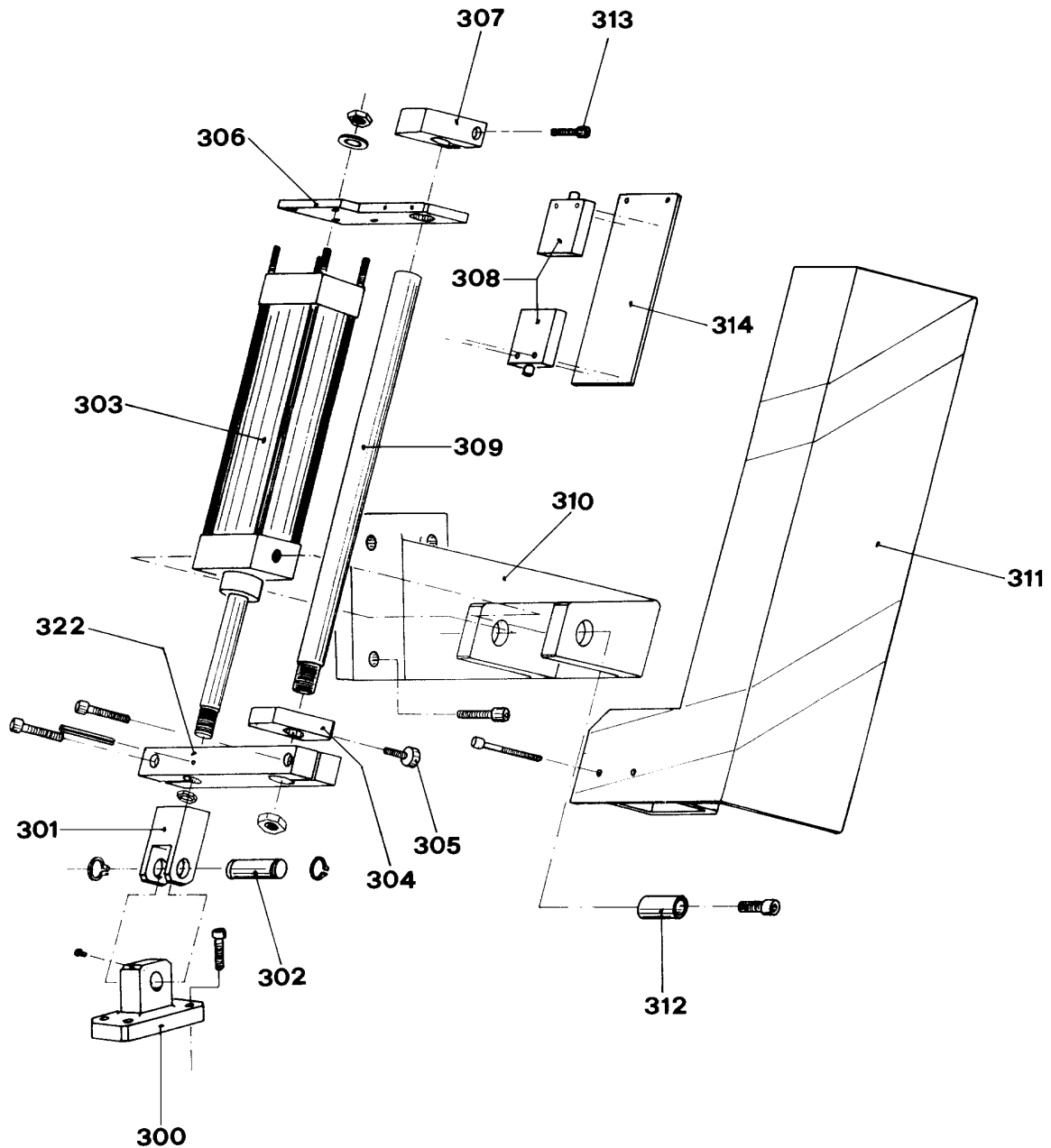
SAW FRAME ASSEMBLY



| REF.NR. | DESCRIPTION | CODE |
|---------|----------------------------------|----------|
| 201 | Saw-frame | AHC40011 |
| 202 | Spring attachment..... | AFC40131 |
| 203 | Spring | E20C0068 |
| 204 | Hinge pin | AFC40057 |
| 205 | Ring nut GUK 35 | 81700035 |
| 206 | Motor cover | 53500112 |
| 207 | Motor fan | 53500128 |
| 208 | Washer | D80C0083 |
| 209 | Motor 3ph..... | 74322050 |
| 210 | Reduction unit 3ph..... | 76200001 |
| 211 | | |
| 212 | Motor shaft | E20C1062 |
| 213 | Key 8 x 7 x 50 | 82502082 |
| 214 | Key 8 x 7 x 25 | 82502082 |
| 215 | Bearing 6208-2RS | 84113062 |
| 216 | Two-way distributor | AFC40052 |
| 217 | Mobile rod lock.dowel 60° | AFC40051 |
| 218 | Mobile rod lock.dowel 45° | AFC40051 |
| 219 | Handle M12 x 60 | 46112000 |
| 220 | Blade tension slide gib. | AFC40033 |
| 221 | Return flywheel slide.... | AFC40035 |
| 222 | Blade tension slide..... | AGC40032 |
| 223 | Blade tension threaded-rod | AFC40034 |
| 224 | Belleville washer | 82505101 |

| RIF.NR. | DESCRIPTION | CODE |
|---------|---------------------------|----------|
| 225 | Blade tens. handwheel. | 47200000 |
| 226 | Bladeguide head mov.rod | E20C0064 |
| 227 | Handgrip with STZ..... | 44600001 |
| 228 | Saw-frame mov.lever.... | AFA40127 |
| 229 | Blade-guide rod guard. | E20C0070 |
| 230 | Return flywheel | AGC40031 |
| 231 | Nilos ring 32006XAV | 86005005 |
| 232 | Bearing 32006 X | 84320017 |
| 233 | Ring nut GUK 30 | 81700030 |
| 234 | Knob..... | 44114512 |
| 235 | Blade left-hand guard .. | E20C0069 |
| 236 | Flywheel guard | AFC40013 |
| 237 | Motor flywheel washer . | D80C0083 |
| 238 | Motor flywheel | AGC40021 |
| 239 | Guard microswitch | 72212000 |
| 240 | Motor flywheel guard.... | AFC40017 |
| 241 | Blade right-hand guard | AFC40047 |
| 242 | Bl.-guide head fixed rod | E20C0063 |
| 243 | Blade add.protection | AFA40048 |
| 244 | Bl.-guide fixed head | E20C0065 |
| 245 | Rubber holder coupling | 69501000 |
| 247 | Bearing 608-2RS | 84113010 |
| 248 | Bearing 626-2RS | 84113005 |
| 249 | Bl.-guide mobile head.. | E20C0066 |
| 250 | Micro holding plate | E30E0202 |
| 251 | Blade tension micro | 72212000 |

SAW FRAME CYLINDER ASSEMBLY



| REF.NR. | DESCRIPTION | CODE |
|---------|-------------|------|
|---------|-------------|------|

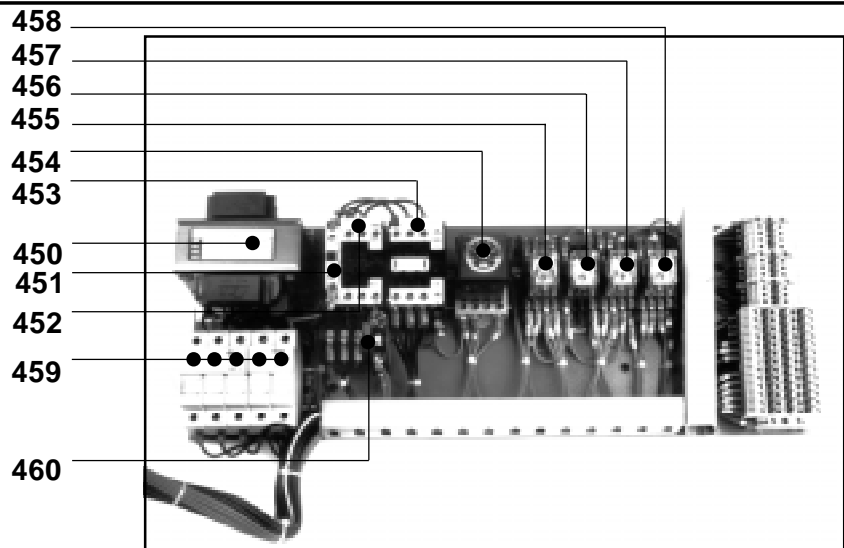
| | | |
|------|---|----------|
| 300 | Dowel | AGC80221 |
| 301 | Coupling fork | AF880082 |
| 302 | Pin on fork | AF880080 |
| 303 | Hydraulic cylinder for man/aut device | 78100066 |
| 303a | Hydraulic cylinder std. ... | 78100056 |
| 304 | Lower adjustable stop.... | AF88D085 |
| 305 | Knob..... | 44101213 |
| 306 | Upper plate | AFB40089 |

| REF.NR. | DESCRIPTION | CODE |
|---------|-------------|------|
|---------|-------------|------|

| | | |
|-----|-----------------------------|----------|
| 307 | Upper adjustable stop.. | AF88F085 |
| 308 | Microswitch..... | 72212000 |
| 309 | Stop bar | AFC90222 |
| 310 | Cylinder attachment | AGC80220 |
| 311 | Cylinder guard | AFC90225 |
| 312 | Cylinder articulation | AFC80176 |
| 313 | Screw TCEI M 10 | 81110110 |
| 314 | Micros.holding plate | AF88C085 |
| 322 | Rod supporting block ... | AFB40085 |

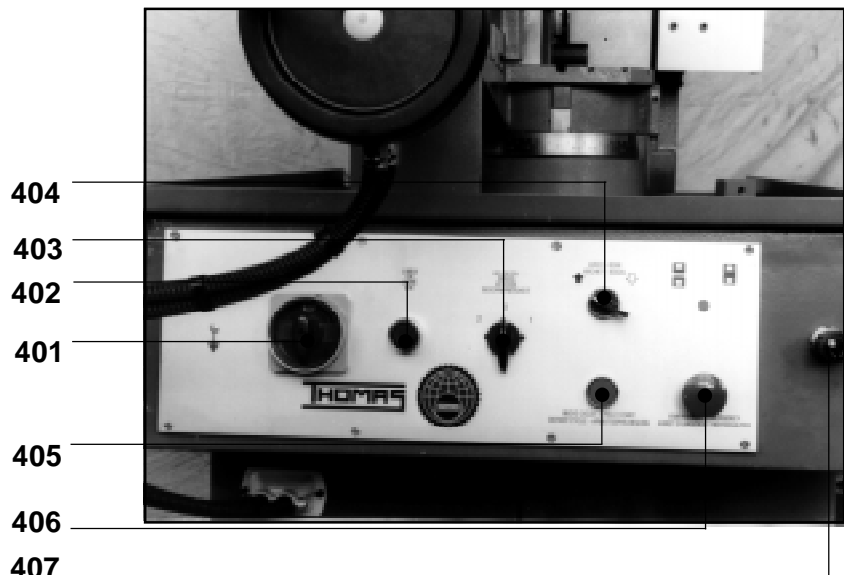
ELECTRIC WIRING KEY

- 450 TC transformer
- 451 Auxiliary contact
- 452 KM1 remote control switch
- 453 KM2 remote control switch
- 454 KT Timer
- 455 KA1 auxiliary relay
- 456 KA2 auxiliary relay
- 457 KA3 auxiliary relay
- 458 KA4 auxiliary relay
- 459 Fuse holder
- 460 FRI temperature relay



CONTROL PANEL KEY

- 401 Main switch
- 402 Start push button
- 403 Speed switch
- 404 Saw frame selector
- 405 Cycle start push-button
- 406 Emergency push-button
- 407 Saw frame lowering adjustment



HYDRAULIC UNIT KEY

- 501 Vice hydraulic solenoid valve
- 502 Saw frame hydraulic solenoid valve
- 503 Hydraulic unit oil level
- 504 Pressure switch
- 505 Hydraulic unit motor
- 506 Oil filler cap

