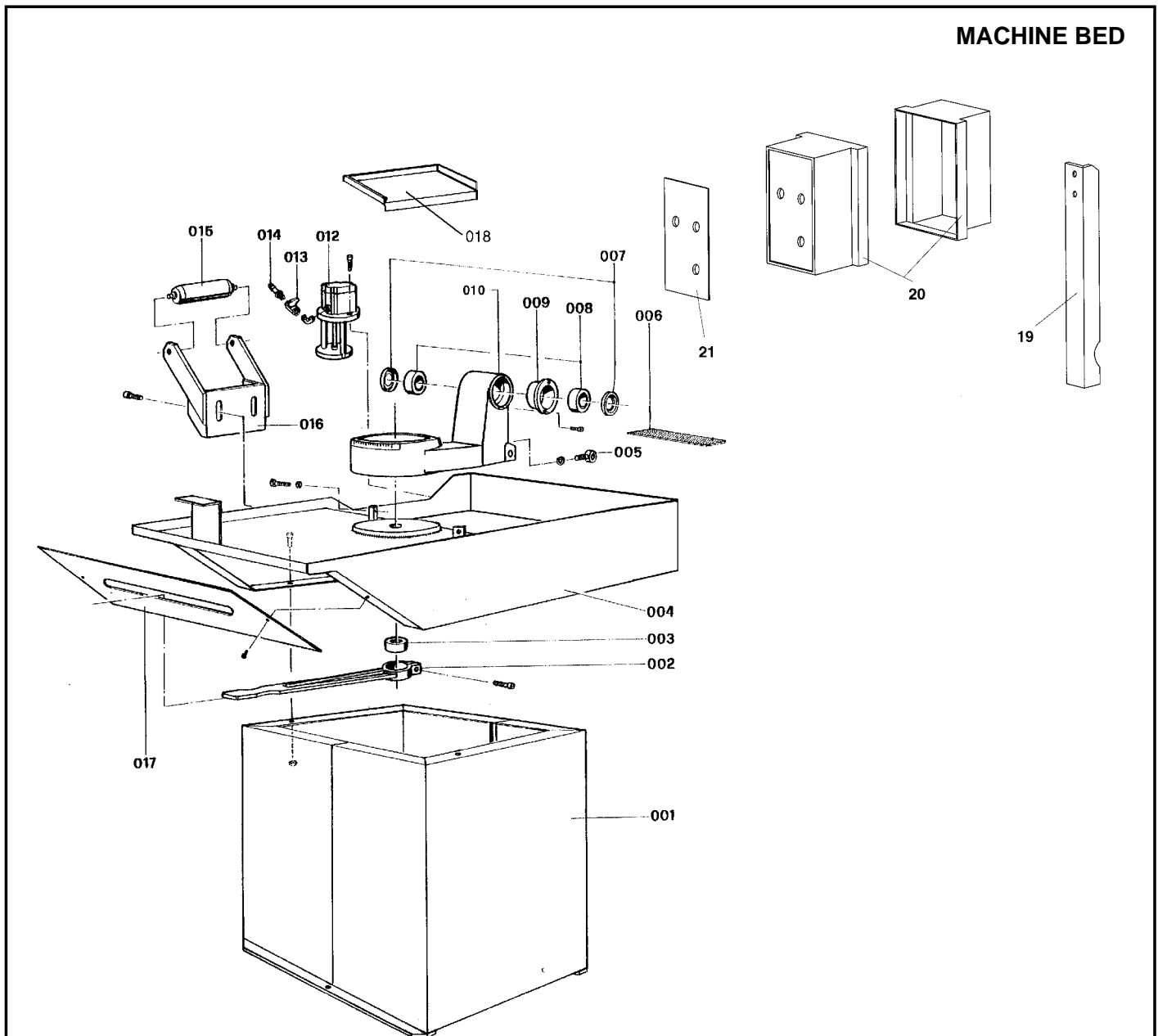


10 MACHINE COMPONENTS

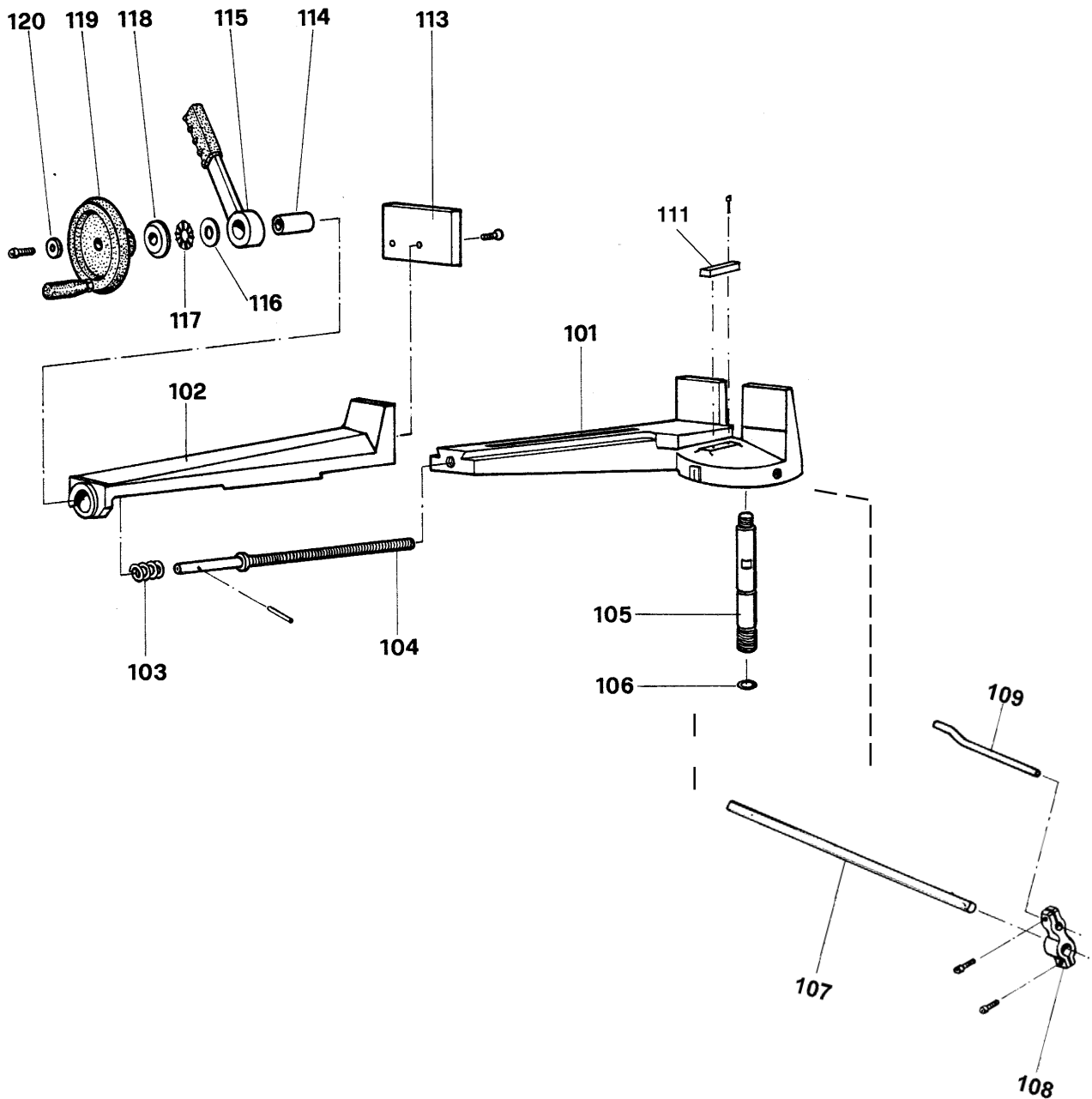
10.1 - List of spare parts



MACHINE BED

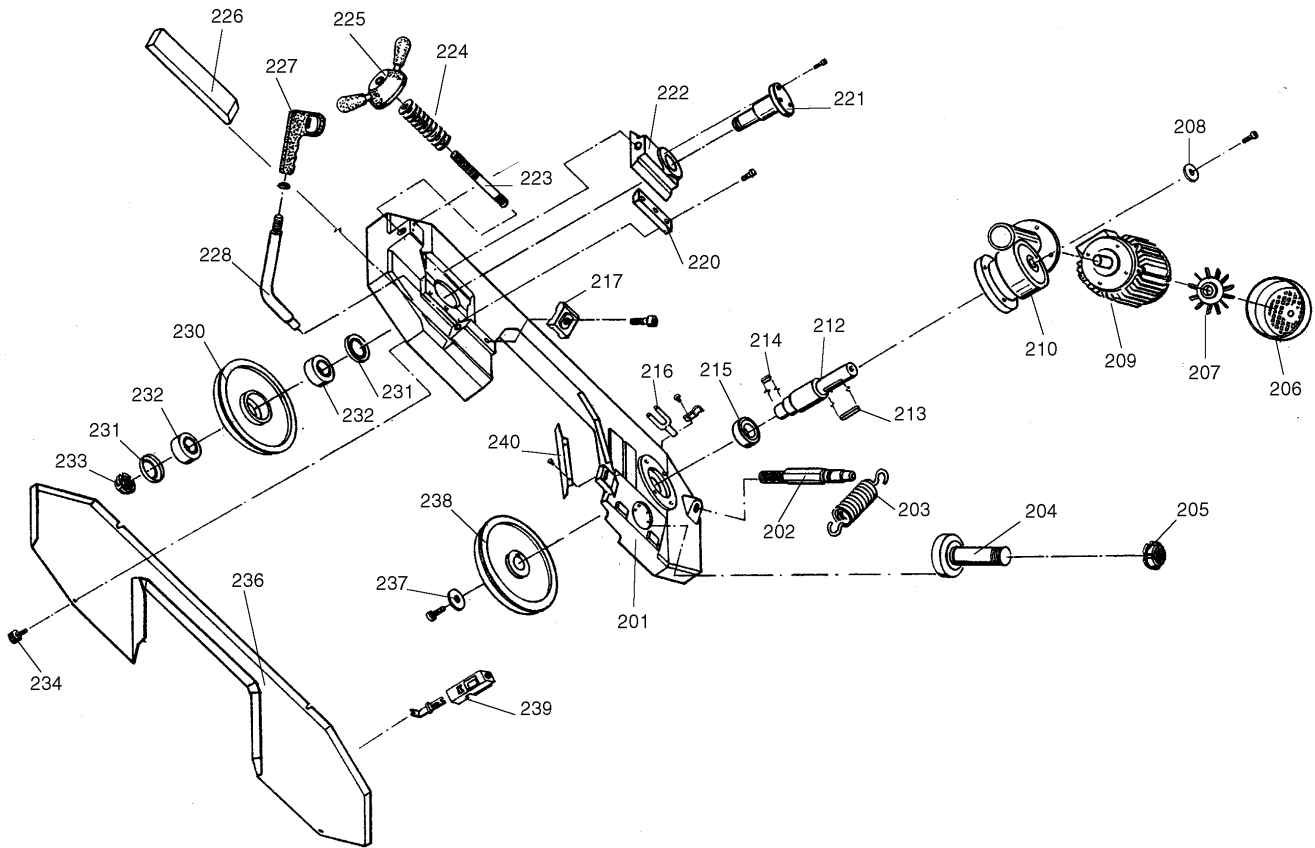
REFERENCE N°	DESCRIPTION	REFERENCE N°	DESCRIPTION
001	Pedestal	010	Swivel arm
002	Swivel arm locking lever	012	Coolant pump
003	Swivel arm locking bush	013	Cooling liquid tap
004	Bedplate	014	Rubber ring coupling
005		015	Roller
006	Filter	016	Roller holding arm
007	Nilos ring 32006 XAV	017	Carter
008	Bearing 32006 X	018	Liquid holder
009	Hinge cam bushing	019	Electric box support
		020	Electric box
		021	Control panel

LINEAR VICE ASSEMBLY



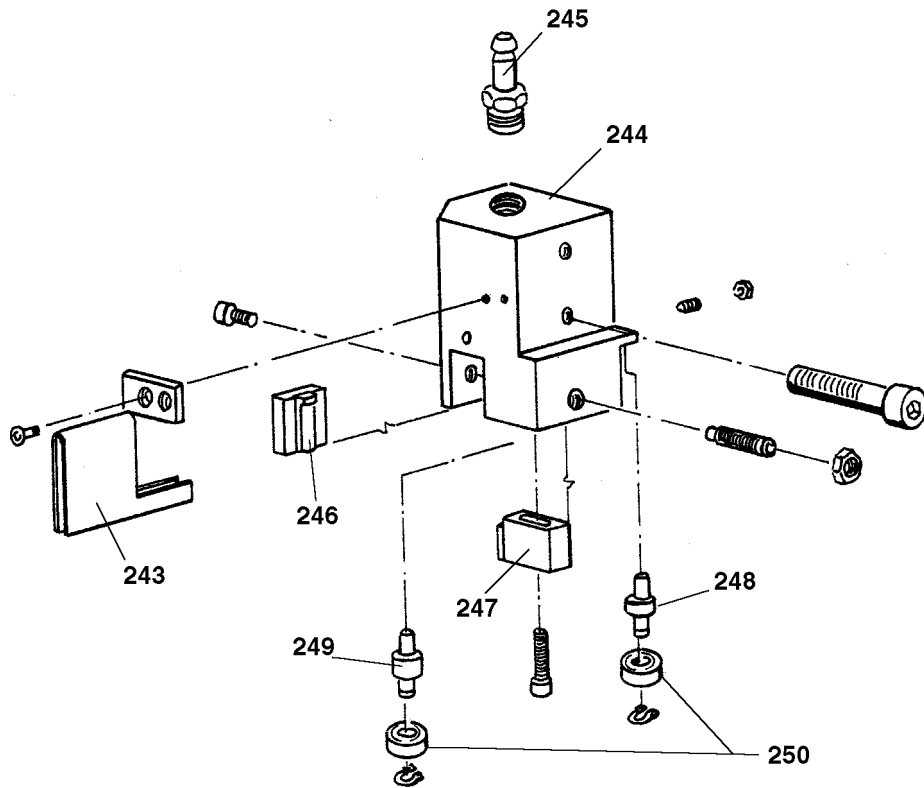
REFERENCE N°	DESCRIPTION	REFERENCE N°	DESCRIPTION
101	Linear countervise	111	Plate
102	Linear vice	112	Vice jaw
103	Rapid locking spring	113	Vice lever
104	Straight vice screw	114	Vice lever bushing
105	Saw frame arm rotation pin	115	Rapid locking vice lever
106	Bar-stop rod	116	51106 bearing
107	Bar-stop rod	117	Rapid locking lever washer
108	Bar-stop	118	Vice handwheel
109	Bar-stop push rod	119	Handwheel washer
		120	Handwheel

SAW FRAME UNIT

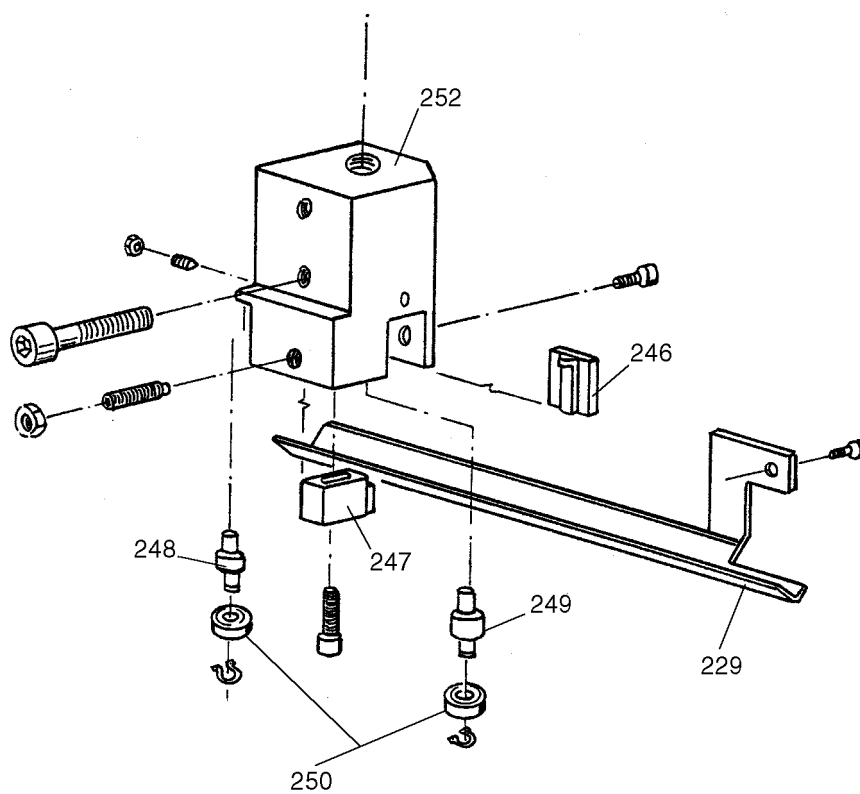


REFERENCE N°	DESCRIPTION	REFERENCE N°	DESCRIPTION
201	Saw frame	228	Saw frame movement lever
202	Brake cylinder spring coupling rod	229	Blade guide rod guard
204	Hinge pin	230	Transmission flywheel
205	Ring nut GUK 35	231	Nilos ring 30205 XAV
206	Motor cover	232	Bearing 30205 X
207	Motor fan	233	Ring nut GUK 25
208	Washer	234	Flywheel guard fastening knob
209	Motor	235	Blade left-hand guard
210	Reduction unit	236	Flywheel guard
212	Motor/reduction unit flywheel shaft	237	Motor flywheel washer
213	Key 8 x 7 x 50	238	Motor flywheel
214	Key 8 x 7 x 25	239	Guard airtight microswitch
215	Radial bearing 6206-Z	240	Motor flywheel guard
216	Two-way distributor	241	Blade right-hand guard
217	Mobile rod locking dowel	242	Blade guide head fixed rod
218		243	Blade additional protection
219		244	Blade guide fixed block
220	Band tightening slide gib	245	1/8" rubber holder coupling
221	Transmission flywheel pin	246	Blade guide fixed pad
222	Blade tightening slide	247	Blade guide adjustable pad
223	Blade tightening slide threaded rod	248	Short eccentric pin
224	Belleville washer Ø 16,3/31,5x1,75	249	Long eccentric pin
225	Blade tightening handwheel	250	Bearing 608 2RS
226	Blade guide head movable rod	251	
227	Handgrip	252	Adjustment blade guide block

BLADE GUIDE FIXED BLOCK

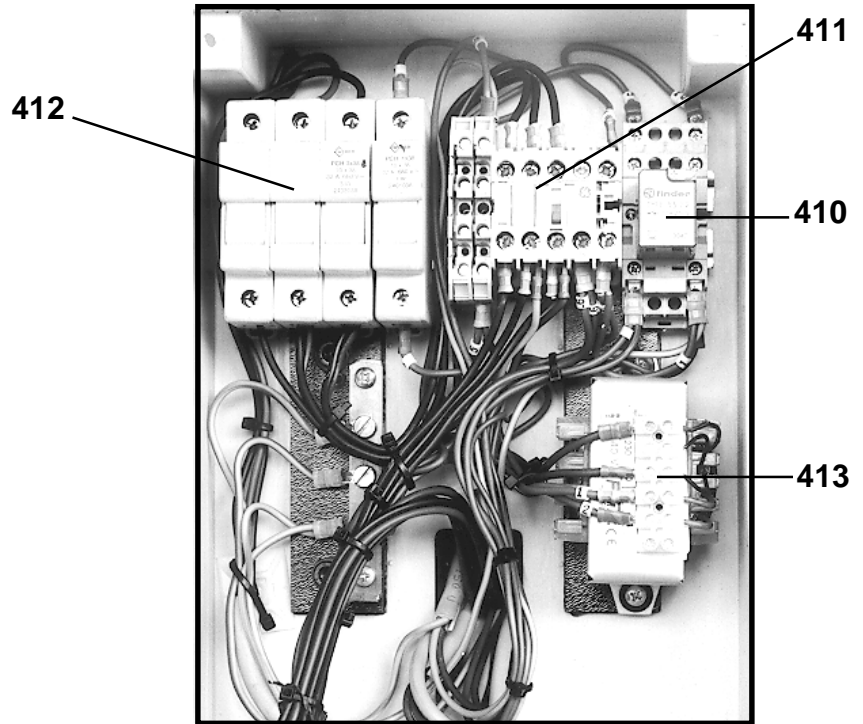


ADJUSTMENT BLADE GUIDE BLOCK



KEY

- 410 Auxiliary relay
- 411 Remote-control switch
- 412 Fuse cartridge
- 413 Transformer



KEY

- 418 Reset push-button
- 419 Main switch
- 420 Emergency push-button

