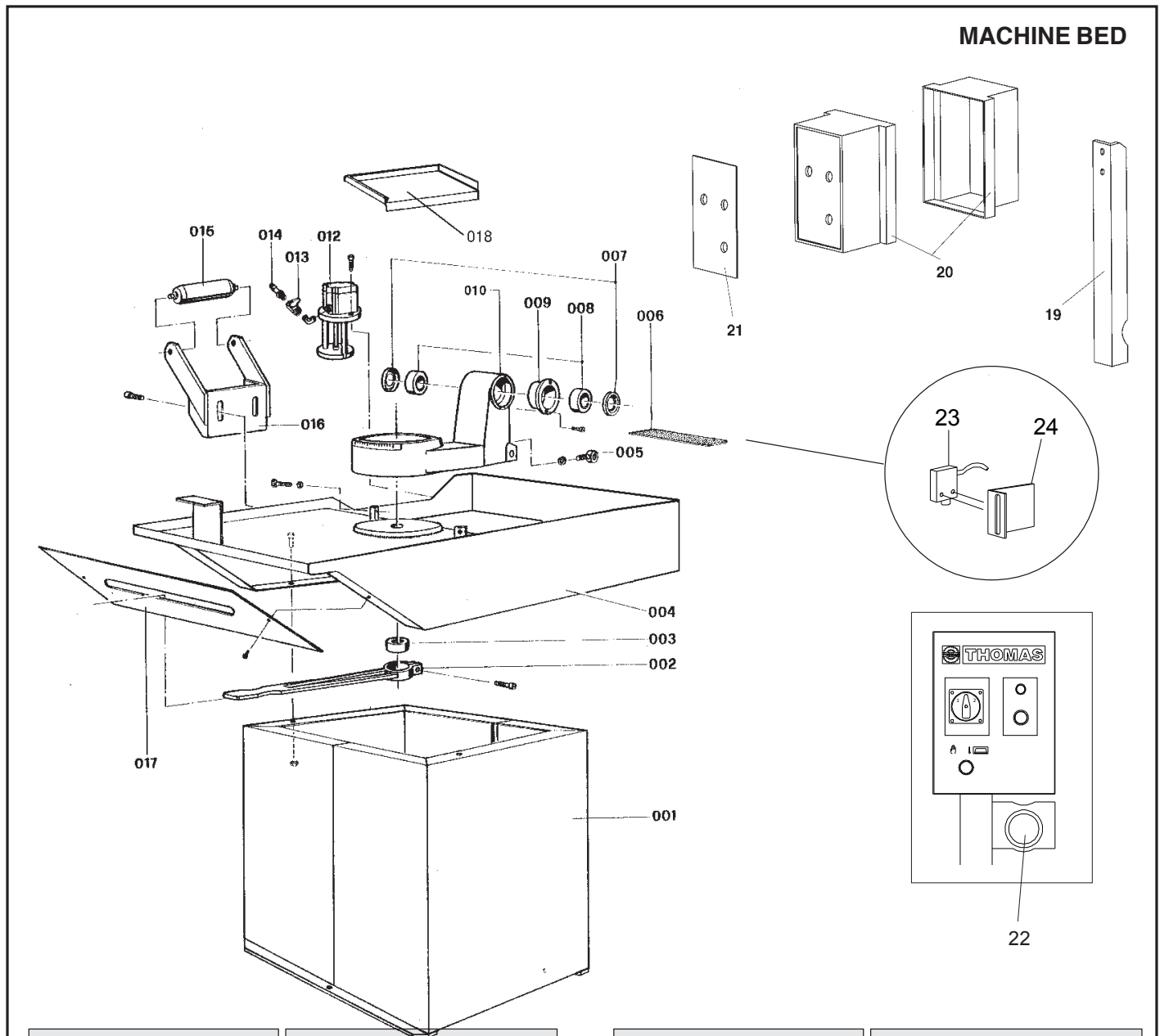


10 MACHINE COMPONENTS

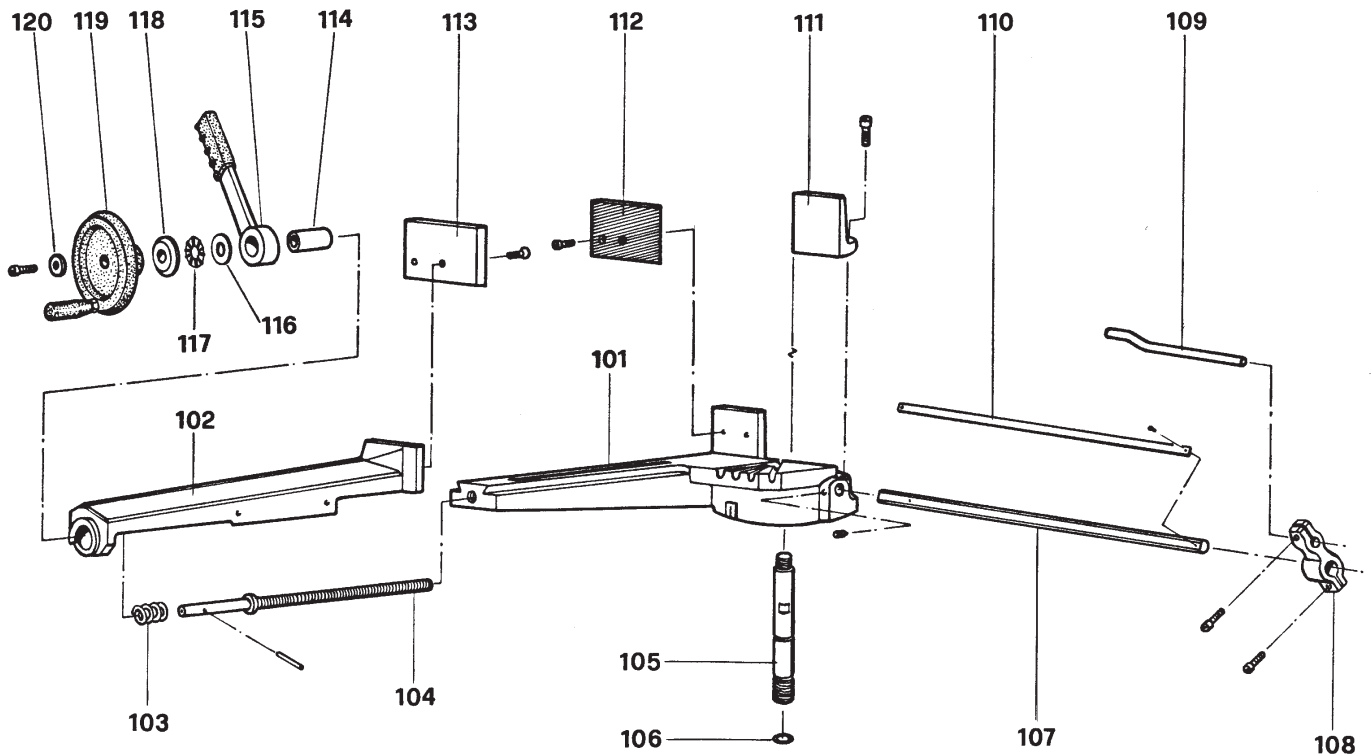
10.1 - List of spare parts



MACHINE BED

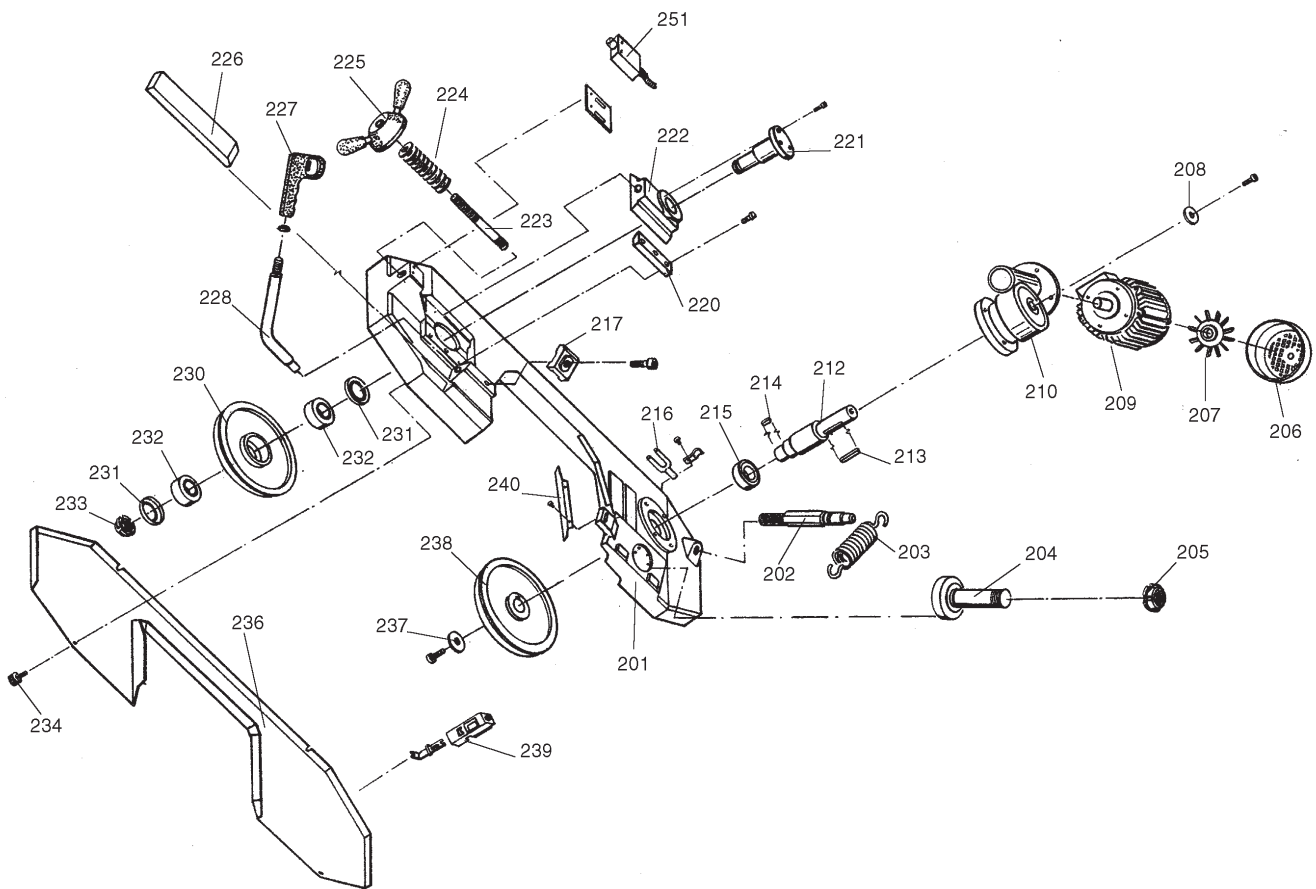
REFERENCE N°	DESCRIPTION	REFERENCE N°	DESCRIPTION
001	Pedestal	013	Cooling liquid tap
002	Swivel arm locking lever	014	Rubber ring coupling
003	Swivel arm locking bush	015	Roller
004	Bedplate	016	Roller holding arm
005	Spring coupling tie-rod	017	Carter
006	Filter	018	Liquid holder
007	Nilos ring 32006 XAV	019	Support
008	Bearing 32006 X	020	Electric box
009	Hinge cam bushing	021	Control panel
010	Swivel arm	022	Saw frame regulator
012	Coolant pump	023	Microswitch support
		024	Microswitch

LINEAR VICE ASSEMBLY



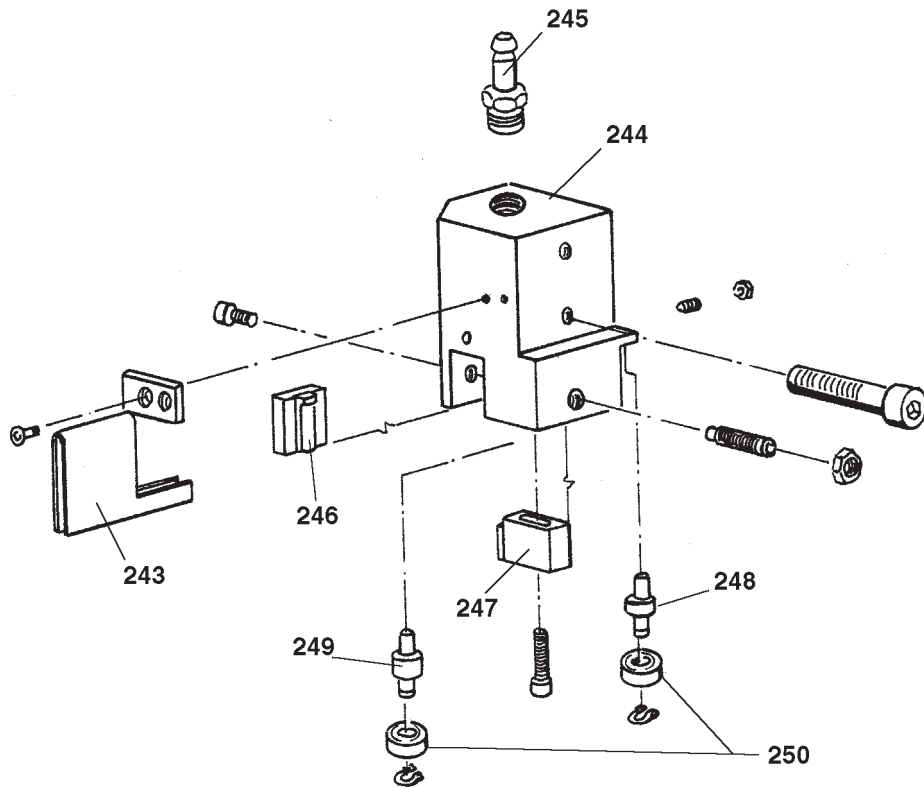
REFERENCE N°	DESCRIPTION	REFERENCE N°	DESCRIPTION
101	Linear countervise	111	No-burr jaw
102	Linear vice	112	Counter vice jaw
103	Rapid locking spring	113	Vice jaw
104	Straight vice screw	114	Vice lever bushing
105	Saw frame arm rotation pin	115	Rapid locking vice lever
106	O-Ring 3081	116	Bearing 51108
107	Bar-stop rod	117	Rapid locking lever washer
108	Bar-stop	118	Vice handwheel
109	Bar-stop push rod	119	Handwheel washer
110	Millimetre ruler	120	Handwheel washer

SAW FRAME UNIT

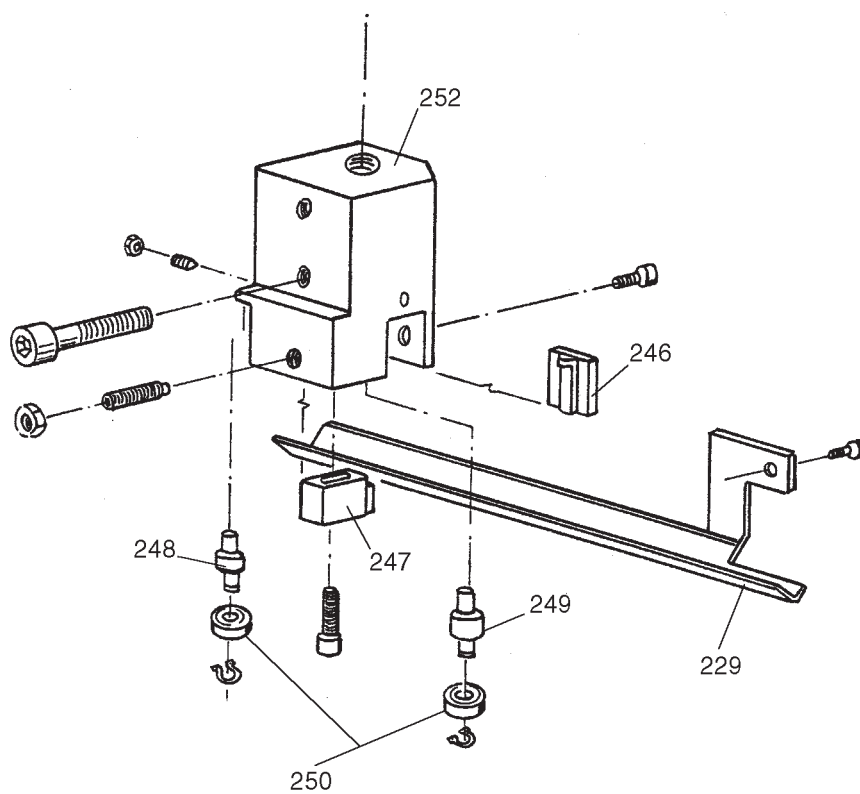


REFERENCE N°	DESCRIPTION	REFERENCE N°	DESCRIPTION
201	Saw frame	228	Saw frame movement lever
202	Brake cylinder spring coupling rod	229	Blade guide rod guard
204	Hinge pin	230	Transmission flywheel
205	Ring nut GUK 35	231	Nilos ring 30205 XAV
206	Motor cover	232	Bearing 30205 X
207	Motor fan	233	Ring nut GUK 25
208	Washer	234	Flywheel guard fastening knob
209	Electric motor	235	Blade left-hand guard
210	Reduction unit	236	Flywheel guard
212	Motor/reduction unit flywheel shaft	237	Motor flywheel washer
213	Key 8 x 7 x 50	238	Motor flywheel
214	Key 8 x 7 x 25	239	Guard airtight microswitch
215	Radial bearing 6206-2RS	240	Motor flywheel guard
216	Two-way distributor	241	Blade right-hand guard
217	Mobile rod locking dowel	242	Blade guide head fixed rod
218		243	Blade additional protection
219		244	Blade guide fixed block
220	Band tightening slide gib	245	1/8" rubber holder coupling
221	Transmission flywheel pin	246	Blade guide fixed pad
222	Blade tightening slide	247	Blade guide adjustable pad
223	Blade tightening slide threaded rod	248	Short eccentric pin
224	Belleville washer Ø 16,3/31,5x1,75	249	Long eccentric pin
225	Blade tightening handwheel	250	Bearing 608 2RS
226	Blade guide head movable rod	251	Microswitch
227	Handgrip	252	Adjustment blade guide block

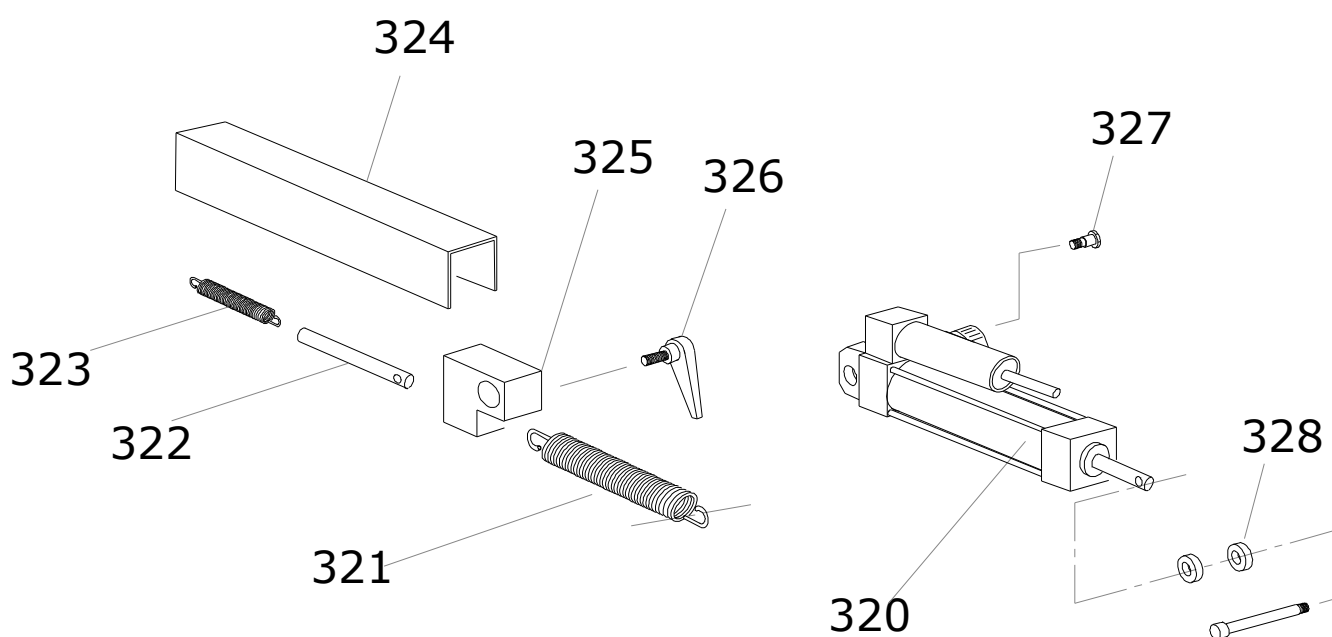
BLADE GUIDE FIXED BLOCK



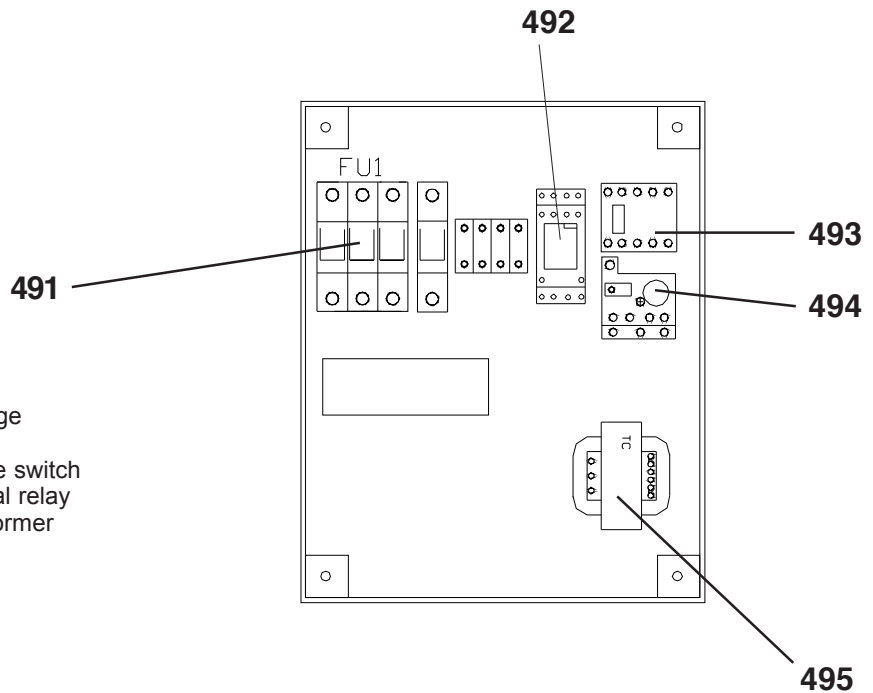
ADJUSTMENT BLADE GUIDE BLOCK



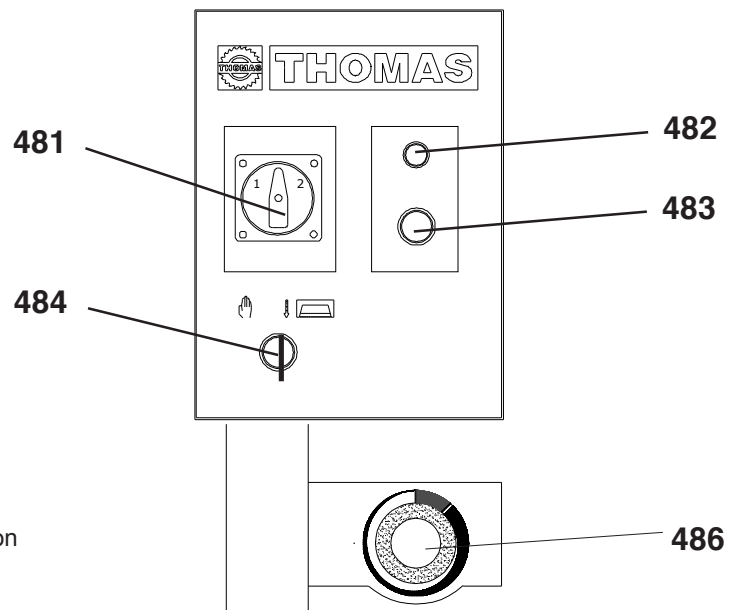
BRAKE UNIT



NR. RIFERIMENTO	DENOMINAZIONE
320	Bracke cylinder
321	Saw frame spring
322	Rod
323	spring
324	Protection spring
325	Support
326	Handle
327	Cylinder articulation
328	Ring



- 491 Cartridge
- 492 Relay
- 493 Remote switch
- 494 Thermal relay
- 495 Transformer



- 481 Main switch
- 482 Light
- 483 Reset push button
- 484 Cicle selector
- 485 Emergency push button
- 486 Saw frame regulator

