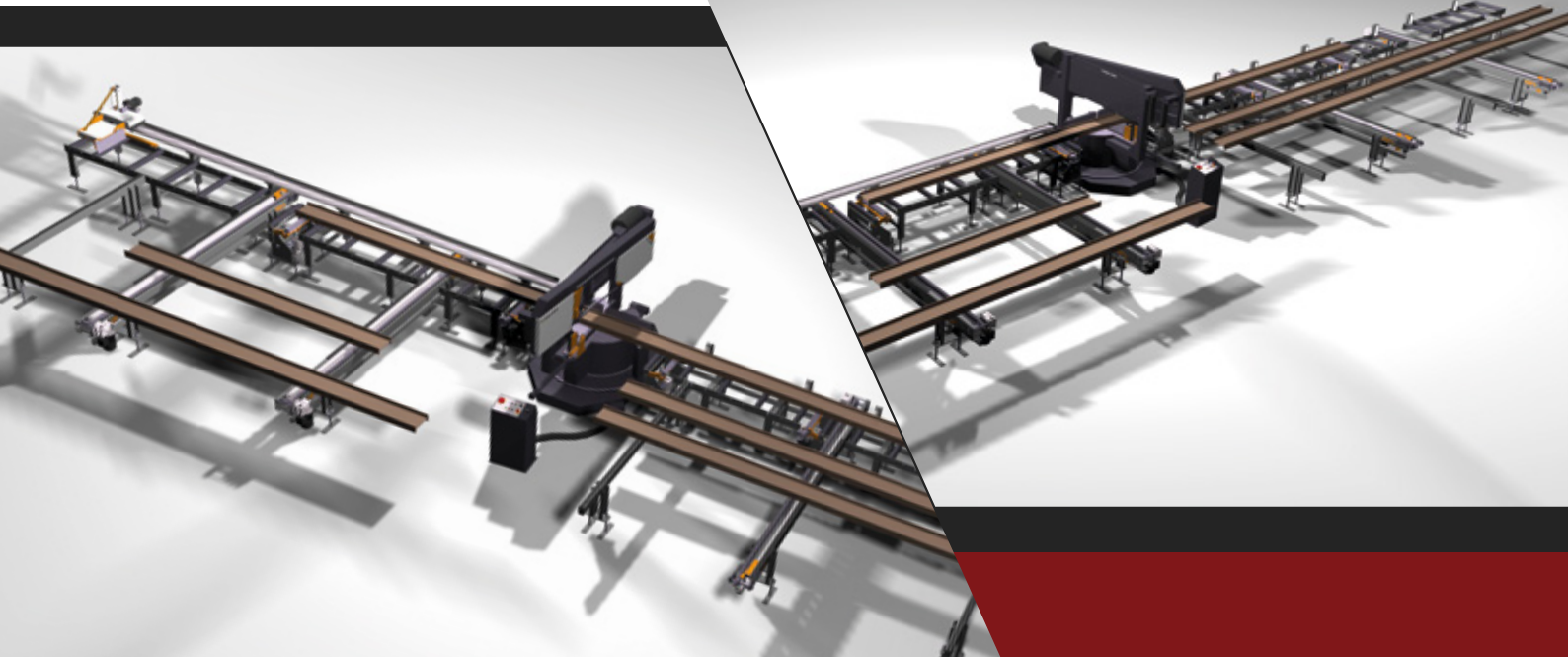




Positioning systems and Rollerways



Rollerways

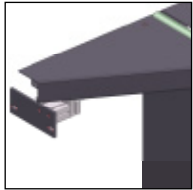
MPS 2000 - Closed Conveyor

The MPS 2000 and MPS 5000 rollerways are optically closed and universally applicable. The rollerways are available in sections of 1.5 meters and 2 meter, with these lengths the desired total length can be compiled.

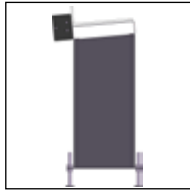


Type	2000-1	2000-2	2000-3
Version	Closed	Closed	Closed
Rolls	PVC	Galvanized Steel	Steel
Roll size	Ø 50 x 2,5 mm	Ø 50 x 1,5 mm	Ø 50 x 3 mm
Roll width	350 mm	350 mm	350 mm
Roll pitch	250 mm	250 mm	250 mm
Load capacity	± 75 kg/mtr	± 150 kg/mtr	± 300 kg/mtr
Height adjustable ± 50 mm	1.000 mm 900 mm 750 mm	1.000 mm 900 mm 750 mm	1.000 mm 900 mm 750 mm
Color: Silver gray Anthracite	Ral7001 Ral7011	Ral7001 Ral7011	Ral7001 Ral7011
Minimum length:	2 mtr	2 mtr	2 mtr
Increasing with:	1 mtr	1 mtr	1 mtr

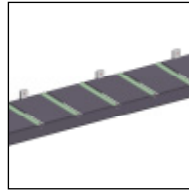
Highlighted options:



60° Connection piece



Inclined rollertable



Rear guide

Other options:

- Extra support
- Standard connection piece
- Roller width 500 mm (= MPS 5000)
- Compatible with MPS measurement systems

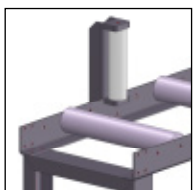
MPS 5090 and MPS 7090 - Open Conveyor

The MPS 5090 and MPS 7090 rollerways are open and universally applicable. The rollerways are available in sections of 2 meter and 3 meter, with these lengths the desired total length can be compiled.



Type	5090	7090
Version	Open	Open
Rolls	Steel	Steel
Roll size	Ø 89 x 3 mm	Ø 89 x 3 mm
Roll width	500 mm	700 mm
Roll pitch	500 mm	500 mm
Load capacity	± 600 kg/mtr	± 600 kg/mtr
Height adjustable ± 100 mm	900 mm 750 mm	900 mm 700 mm
Color: Silver gray Anthracite	Ral7001 Ral7011	Ral7001 Ral7011
Minimum length:	2 mtr	2 mtr
Increasing with:	2 and 3 mtr	2 and 3 mtr

Highlighted options:



Rear guiding rollers



Material support beams



Heavy duty rolls
(Ø 89 x 6,3 mm)

Other options:

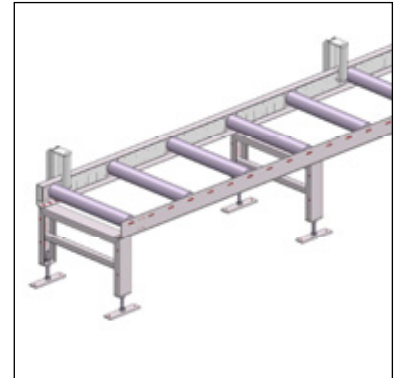
- Standard connection piece
- 60° connection piece
- Extra support
- Extra rollers
- Material support beams
- Conveyor roll covers
- Driven lifted roller block
- Refrigerant drip tray
- Compatible with MPS measurement systems

Rollerways

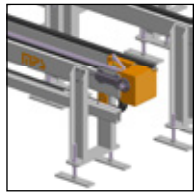
MPS 5090 and MPS 7090 Driven Infeed

The MPS 5090 and MPS 7090 Driven Infeed rollerways are open and universally applicable. The rollerways are available in sections of 2 and 3 meter, with these lengths the desired total length can be compiled.

Type	5090 Driven Infeed	7090 Driven Infeed
Version	Open	Open
Rolls	Steel	Steel
Roll size	Ø 89 x 6,3 mm	Ø 89 x 6,3 mm
Roll width (effective)	600 mm	700 mm
Roll pitch	600 mm	600 mm
Load capacity	± 1400 kg/mtr	± 1400 kg/mtr
Height adjustable ± 100 mm	900 mm 700 mm	900 mm 700 mm
Color: Silver gray Anthracite	Ral7001 Ral7011	Ral7001 Ral7011
Minimum length: Increasing with:	2 mtr 2 and 3 mtr	2 mtr 2 and 3 mtr



Highlighted options:



Automatic
transverse transport



Conveyor roll
covers



60° Connection
piece

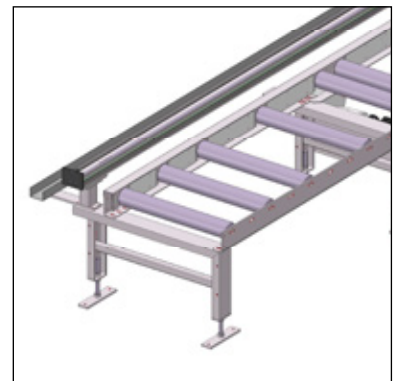
Other options:

- Material support beams
- Refrigerant drip tray
- Compatible with MPS measurement systems

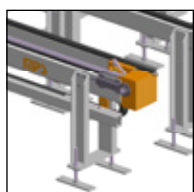
MPS 5090 and MPS 7090 Driven Outfeed

The MPS 5090 and MPS 7090 Driven Outfeed rollerways are open and universally applicable. The rollerways are available in sections of 1.5 and 3 meter, with these lengths the desired total length can be compiled.

Type	5090 Driven Outfeed	7090 Driven Outfeed
Version	Open	Open
Rolls	Steel	Steel
Roll size	Ø 89 x 6,3 mm	Ø 89 x 6,3 mm
Roll width (effective)	600 mm	700 mm
Roll pitch	600 mm	600 mm
Load capacity	± 1400 kg/mtr	± 1400 kg/mtr
Height adjustable ± 100 mm	900 mm 700 mm	900 mm 700 mm
Color: Silver gray Anthracite	Ral7001 Ral7011	Ral7001 Ral7011
Minimum length: Increasing with:	3 mtr 1,5 mtr	3 mtr 1,5 mtr



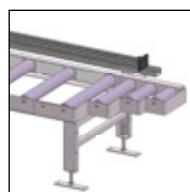
Highlighted options:



Automatic
transverse transport



Conveyor roll
covers



60° Connection
piece

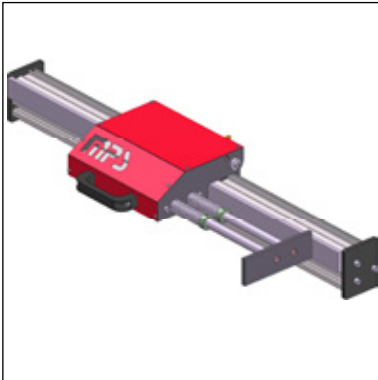
Other options:

- Material support beams
- Refrigerant drip tray
- Compatible with MPS Powerstop HD

Positioning Systems

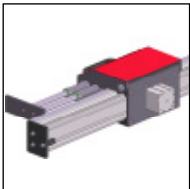
MPS 70 and MPS 90 - Manual

The MPS 70 and MPS 90 universal manual displaceable stop systems are equipped with an accurate measuring system. The stop is manually moved over an anodized aluminium rail.



Type	MPS 70	MPS 90
Measure readout	1 mm	1 mm
Accuracy ±	0,5 mm	0,5 mm
Max. load	± 700 N.	± 1.500 N.
Block	Handle	Pneumatic
Positioning width	180 mm	300 mm
Positioning system	Foldable Springbuffered	Foldable Springbuffered
Available lengths	2 ~ 12 mtr	2 ~ 18 mtr
Application	Profile, strip, bar	Profile, strip, bar and Constructions

Options:



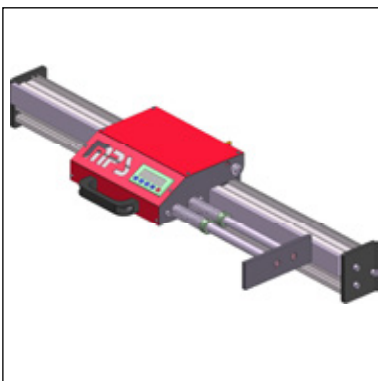
Pneumatic blocking system (only on MPS 70)

Notes:

- The MPS 70 is suited for light to medium sized machines
- The MPS 90 is suited for heavy machines
- Easy to mount on a MPS roller conveyor
- Can be placed on the left and right side of the machine

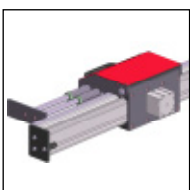
MPS 75 and MPS 95 - Manual

The MPS 75 and MPS 95 universal manual displaceable stop systems are equipped with an accurate measuring system. The stop is manually moved over an anodized aluminium guide rail.



Type	MPS 75	MPS 95
Measure readout	0,1 mm	0,1 mm
Accuracy ±	0,1 mm	0,1 mm
Max. load	± 700 N.	± 1.500 N.
Block	Handle	Pneumatic
Positioning width	180 mm	300 mm
Positioning system	Foldable Springbuffered	Foldable Springbuffered
Available lengths	2 ~ 12 mtr	2 ~ 18 mtr
Application	Profile, strip, staf	Profile, strip, staf, and construction

Options



Pneumatic blocking system (only on MPS 75)

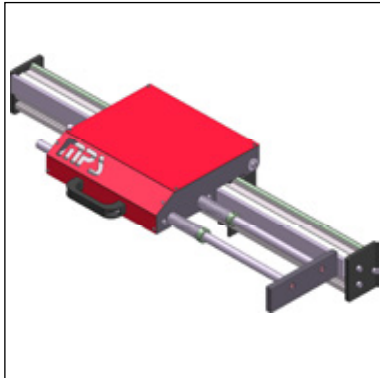
Notes:

- The MPS 75 is suited for light to medium sized machines
- The MPS 95 is suited for heavy machines
- Easy to mount on a MPS roller conveyor
- Can be placed on the left and right side of the machine

Positioning Systems

MPS Powerstop

The MPS automatic Powerstop positioning systems are available with an accuracy of $\pm 0,25$ and $\pm 0,1$ mm. The systems feature a powerful servo motor and moves through 4 adjustable running rollers over an aluminium rail with hardened steel axis.



Type	Powerstop	Powerstop 200M
Measure readout	0,1 mm	0,1 mm
Accuracy \pm	0,25 mm	0,1 mm
Max. load	± 2000 N.	± 2000 N.
Block	Electric hold	Electric hold
Positioning speed	40 mtr/min	40 mtr/min
Positioning width	200 mm	200 mm
Positioning system	Foldable Springbuffered	Foldable Springbuffered
Available lengths	2 ~ 14 mtr	2 ~ 14 mtr
Application	Light and medium metal-, aluminium and wood processing	Light and medium metal-, aluminium and wood processing

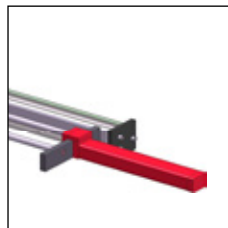
Key-features

- Clear digital measurement on LED display
- Input through large membrane keypad, input and readout in 0,1 mm
- Fixation of material by two electromagnetic brakes with a holding power of ± 2000 N.
- Back guidance carried out in steel or trespä
- Positioning speed up to 40 mtr/min
- Can be placed on left or right side of the machine
- Easy to mount on MPS roller conveyor
- Powerful servo motor
- External release module moves a fixed value forward when saw is started
- Size correction when nosepiece is applied

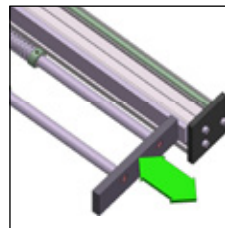
Options



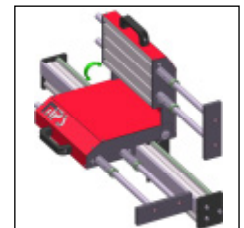
Support control panel



Nose piece



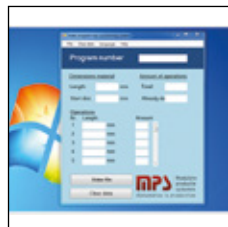
External release module



Pneumatic foldable trolley



Memory storage module



USB Interface



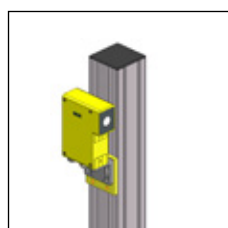
Barcode reader



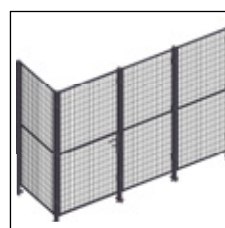
Machine Interface (MPS Control)



Safety pullcord



Safety light curtain



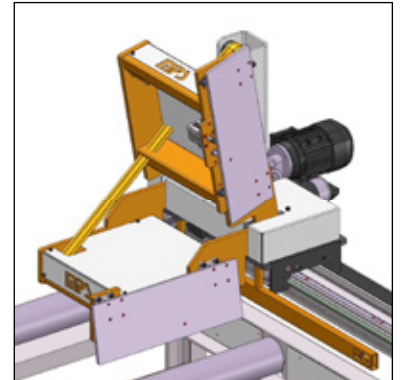
Safety fencing

Positioning Systems

MPS Powerstop HD

The MPS automatic Powerstop HD system is developed for heavy duty work. The system features a powerful servo motor and moves through 6 adjustable running rollers over an aluminium rail with hardened steel axis.

Type	MPS Powerstop HD
Measure readout	0,1 mm
Accuracy \pm	0,25 mm
Max. load	\pm 5000 N.
Block	Electric hold
Positioning speed	30 mtr/min
Positioning width	480 mm
Positioning system	Foldable
Available lengths	2 ~ 18 mtr
Application	Heavy Duty



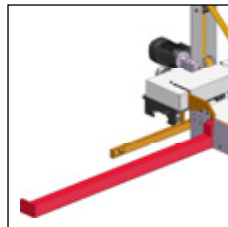
Key-features

- Clear digital measurement on LED display
- Input through large membrane keypad, input and readout in 0,1 mm
- Fixation of material by two electromagnetic brakes with a holding power of \pm 5000 N.
- Back guidance carried out in steel or trespä
- Positioning speed up to 30 mtr/min
- Can be placed on left or right side of the machine
- Easy to mount on MPS roller conveyor
- Powerful servo motor
- External release module moves a fixed value forward when saw is started
- Size correction when nosepiece is applied

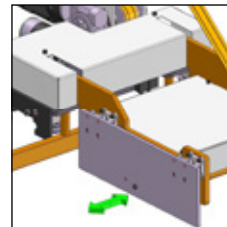
Options



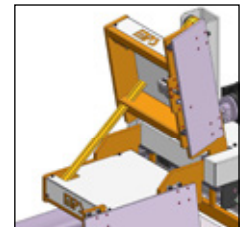
Support control



Nose piece



External release module



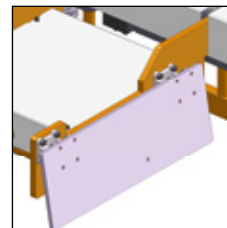
Electric foldable trolley



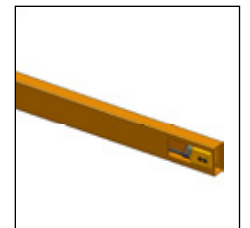
Memory storage module



USB Interface



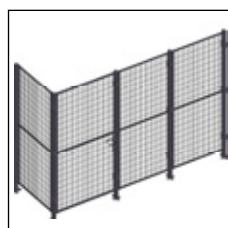
Material detection sensor in stopping plate



Detection sensor



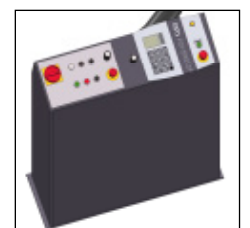
Safety pullcord



Safety light curtain and/or fencing



Machine Interface (MPS Control)

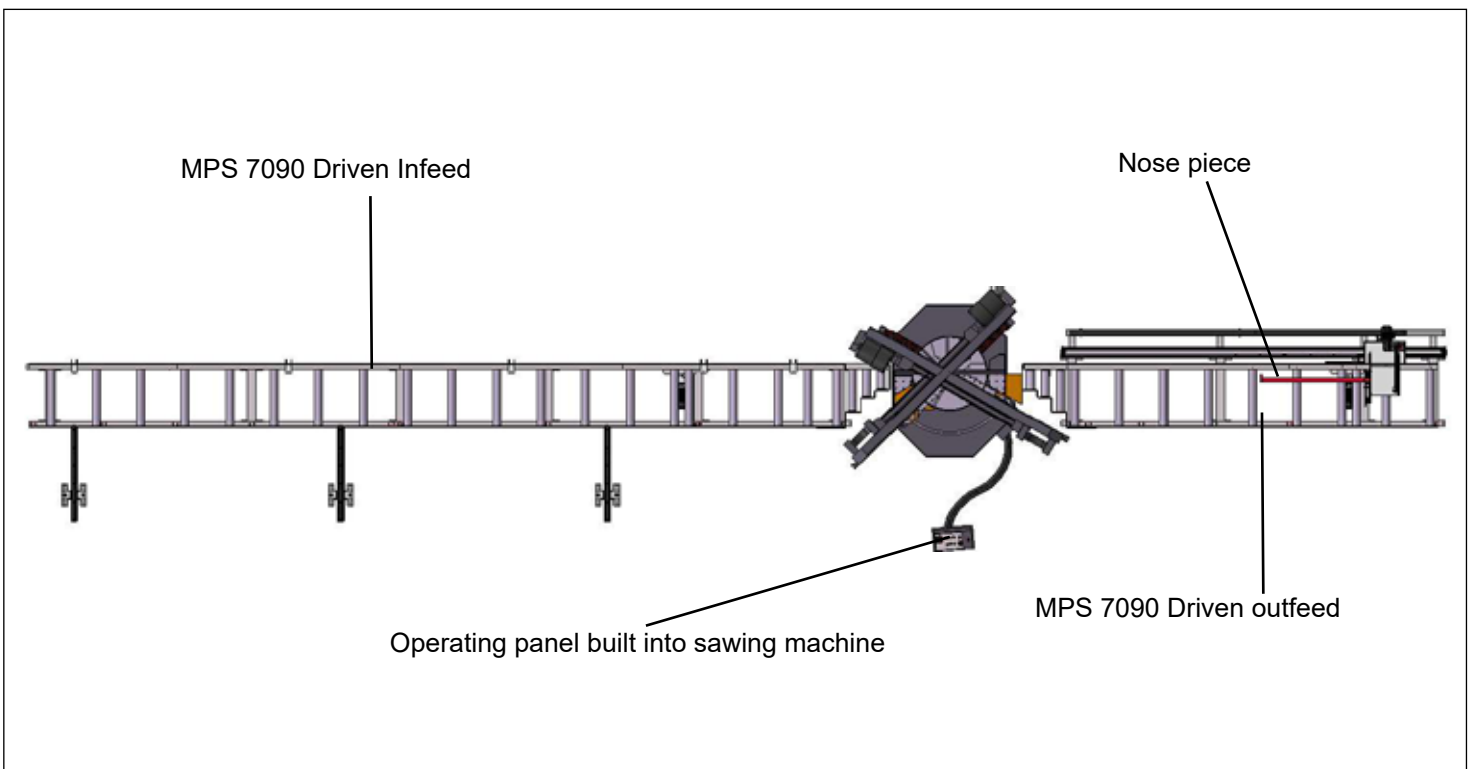
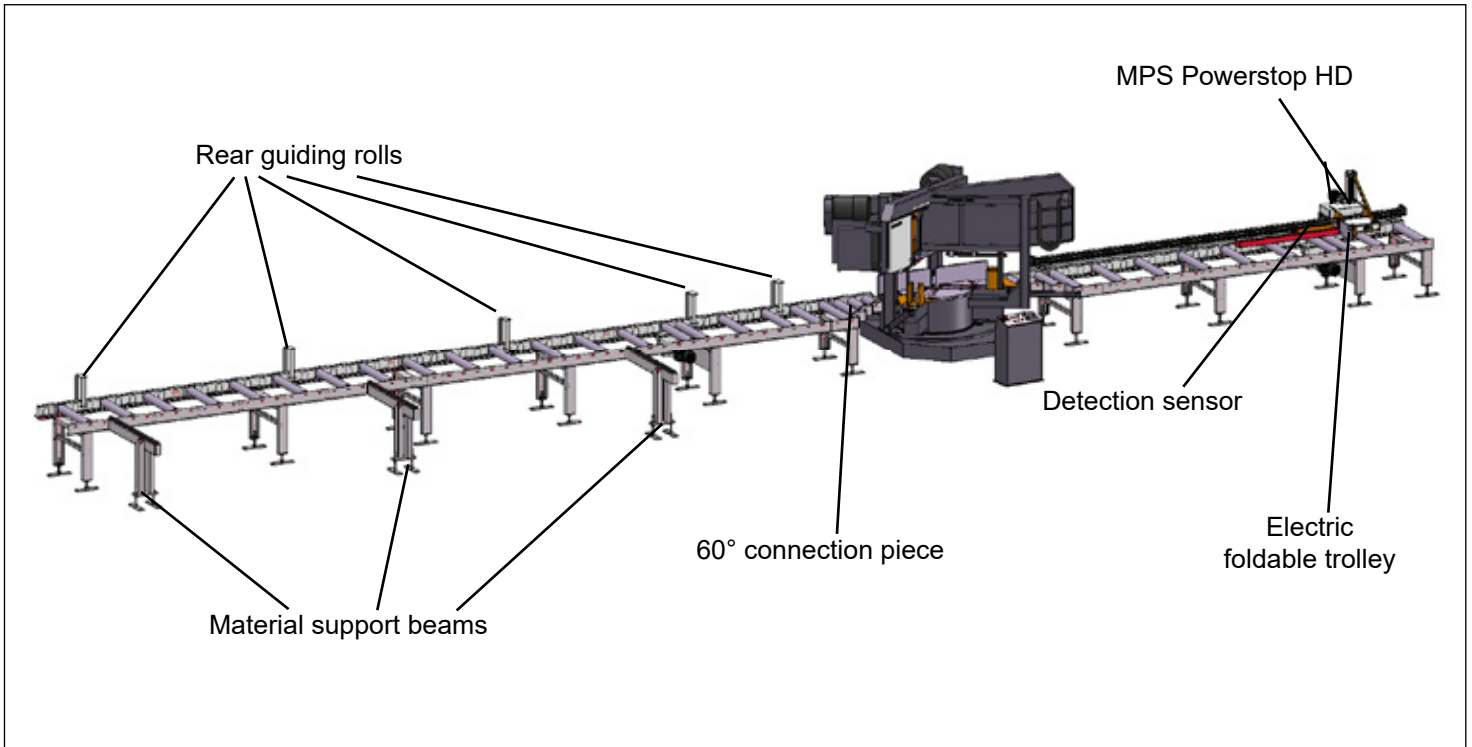


Operating panel built into the saw machine

Positioning Systems

Modular production system

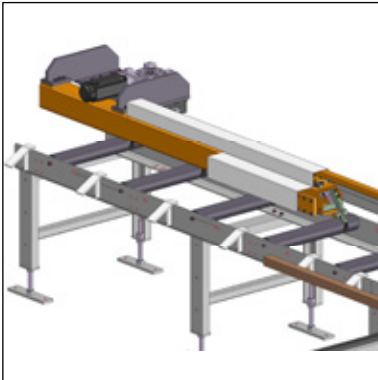
Example of sawing machine in combination with MPS 7090 Driven infeed, MPS 7090 Driven outfeed, and automatic MPS Powerstop HD positioning system. Other options include a 60° connection piece, detection sensor, electric foldable trolley, operating panel, nose piece, rear guiding rolls and material support beams.



Positioning Systems

MPS Automatic Pushing System

The universal horizontal MPS Powerpushing system is available with an accuracy of $\pm 0,25$ and $\pm 0,1$ mm, suitable for light to heavy duty work. Material is clamped in the gripper jaws and fully automatically pushed.

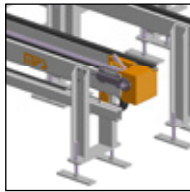


Type	Powerpusher	Powerpusher 200M	Powerpusher HD
Measure readout	0,1 mm	0,1 mm	0,1 mm
Accuracy	$\pm 0,25$ mm	$\pm 0,1$ mm	$\pm 0,25$ mm
Max. load	± 2000 N.	± 2000 N.	± 5000 N.
Block	Electric hold	Electric hold	Electric hold
Positioning speed	40 mtr/min	40 mtr/min	30 mtr/min
Available lengths	2 ~ 14 mtr	2 ~ 14 mtr	2 ~ 18 mtr
Application	Light and medium metal- and aluminium	Light and medium metal- and aluminium	Heavy duty

Highlighted options:



Support control panel



Transverse transport infeed or outfeed



Machine interface (MPS control)

Other options:

- Safety fencing
- USB interface
- Many versions available for different materials

Electrotool B.V.

Van Utrechtweg 18
2921 LN Krimpen aan den IJssel
The Netherlands

+31 (0)180 519 255
info@electrotool.nl

www.electrotool.nl