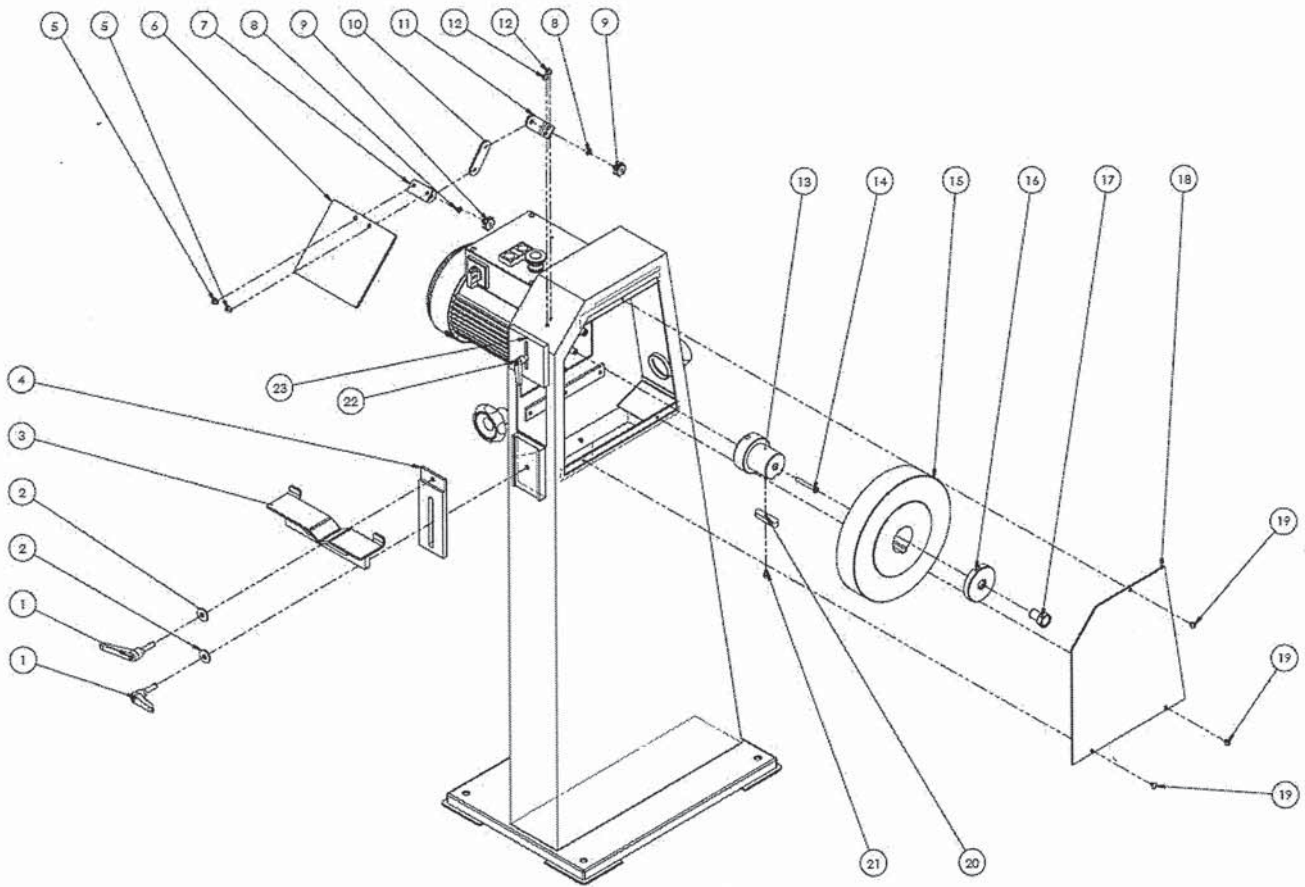
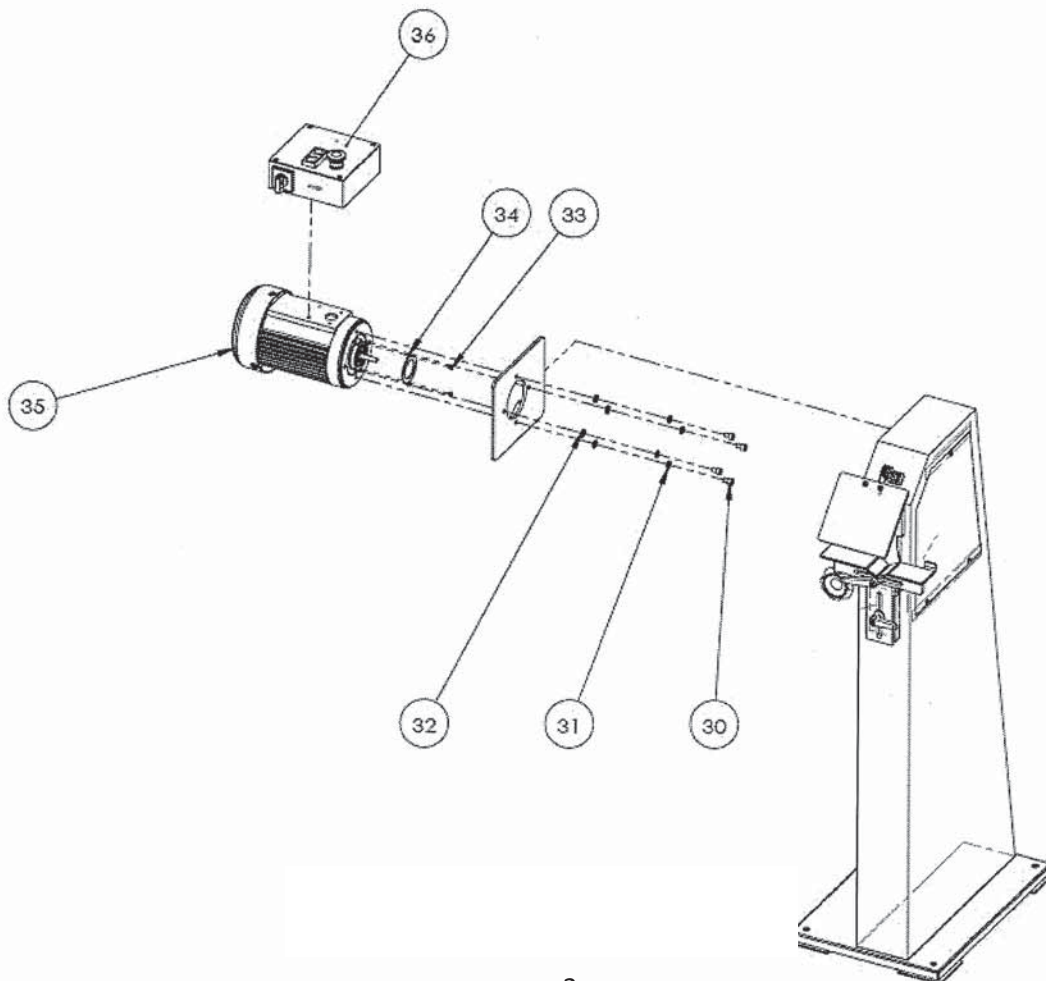
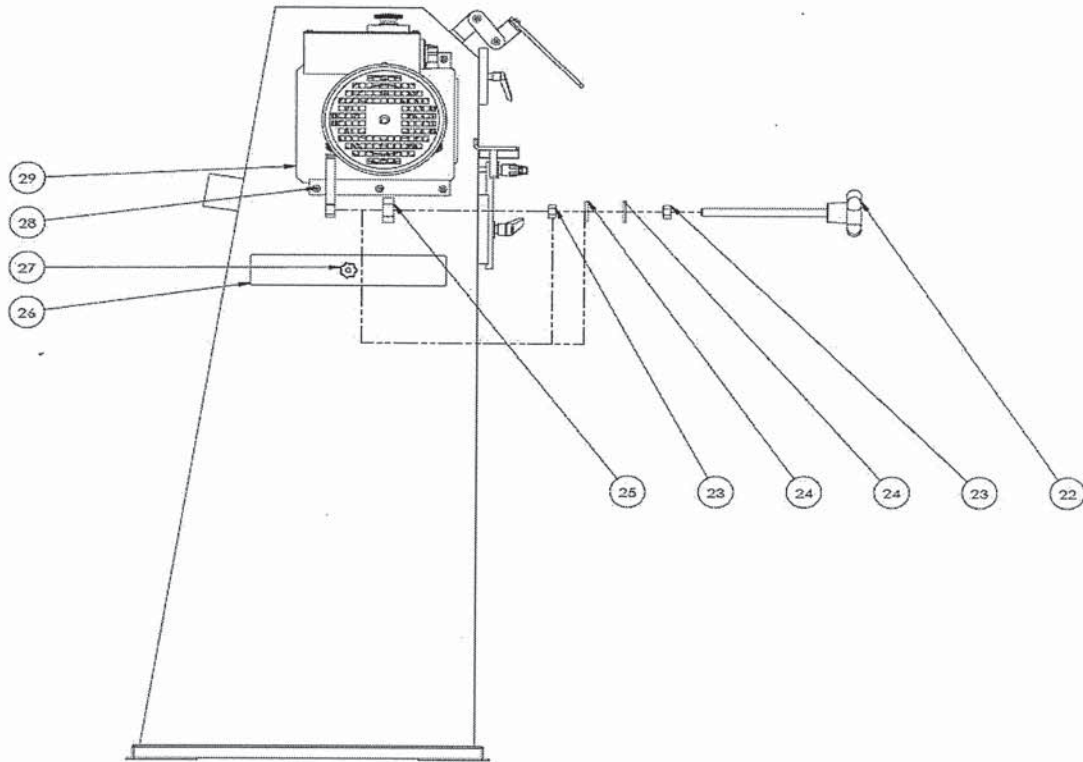


## Onderdeeltelingen OM250S



## Onderdeeltekeningen OM250S

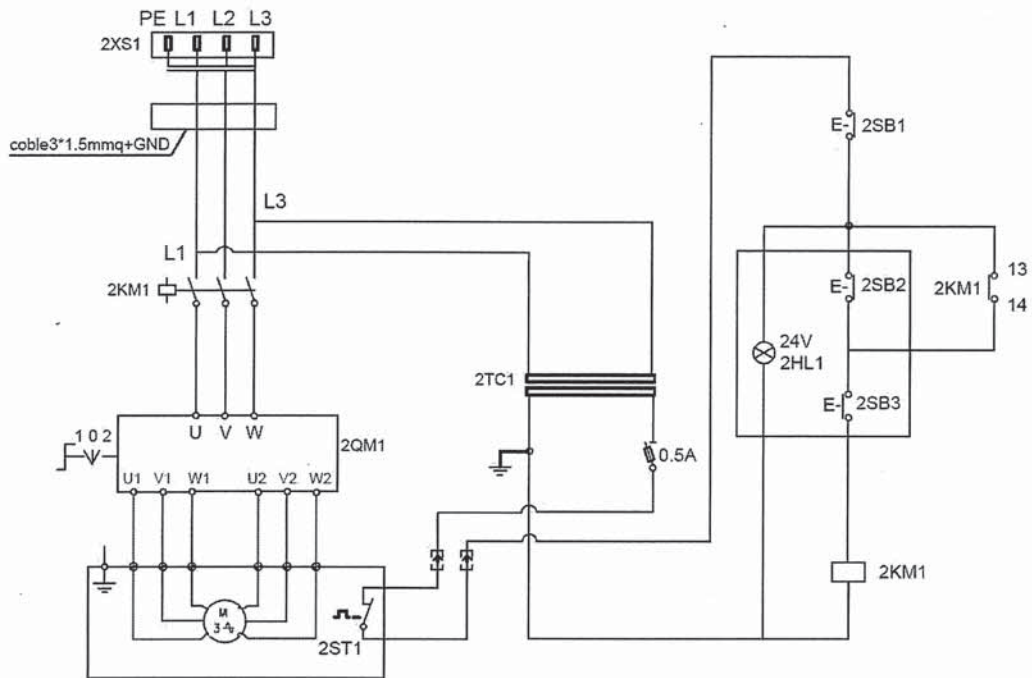


**Onderdeellijst OM250S**

DC-250 PART LIST			
No	Description	No	Description
1	Screws Handle M8*30	19	Screws M6*10
2	Washer M8*18*2	20	key
3	Adjust the seat-01	21	Screws M4*10
4	Adjust the seat-02	22	Screws Handle M12*140
5	Screws M6*10	23	Nut M12
6	Acrylic Blinkers	24	Washer M12*28*3
7	Blinkers support-1	25	support plate
8	Washer M6	26	chips tray
9	Screws Handle M6*10	27	Screws Handle M5*10
10	Blinkers support-2	28	Screws M6*20
11	Blinkers support-3	29	motor support plate
12	Screws M6*10	30	Screws M8*25
13	brush connect shaft	31	Spring Washer M8
14	Screws M6*16	32	Washer M8*18*2
15	Ø250 brush	33	Screws M5*12
16	shaft cover	34	Bearing bracket
17	Screws M16*30	35	Motor
18	Steel brush cover	36	Electronic box set

## Onderdeeltkening Elektrisch OM250S

### Wiring Diagram and Parts



Reference	MODEL NO	DESCRIPTION
2KM1	S-P09-S/AC24V	electromagnetic switch for motor AC-600V AZ1=1TH=20A CE
2QM1	KEDU ZH-HC-4	speed control switch 25/16A 250V-7.5HP 400V-3HP CE
2HL1	RENY R9PDNVO	light for motor start BA9S 2W MAX 24V MAX CE
2TC1	Transformer	400V/24V/10AV
2SB1	AP AUSPICIOUS	ITH10A-Ui600V 120V/6A/240V/3A CE
2SB2	RENY R9C01VN	Motor stop switch AC15-DC13 ITH10A-Ui600V CE
2SB3	RENY R9C10VN	motor start switch AC15-DC13 ITH10A-Ui600V CE