

10 MACHINE COMPONENTS

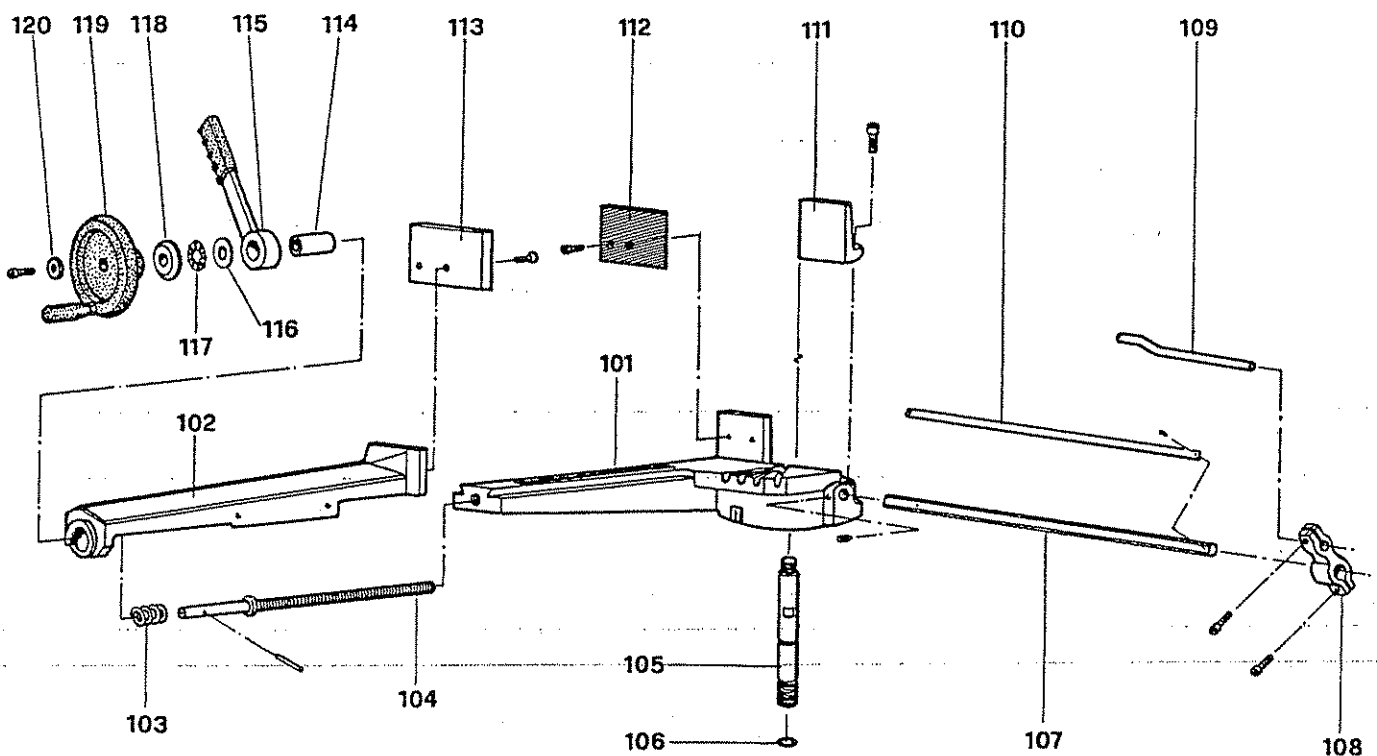
10.1 - List of spare parts

MACHINE BED

REFERENCE N°	DESCRIPTION	REFERENCE N°	DESCRIPTION
002	Swivel arm locking lever	010	Swivel arm for 0 to 45° cut
004	Bedplate	011	Swivel arm for 0 to 60° cut
005	Spring coupling tie-rod	012	0.1 kW pump
006	Filter	013	Cooling liquid tap
007	Nilos ring 32007 XAV	014	Rubber ring coupling
008	Bearing 32007 X	015	Roller
009	Hinge cam bushing	016	Roller holding arm



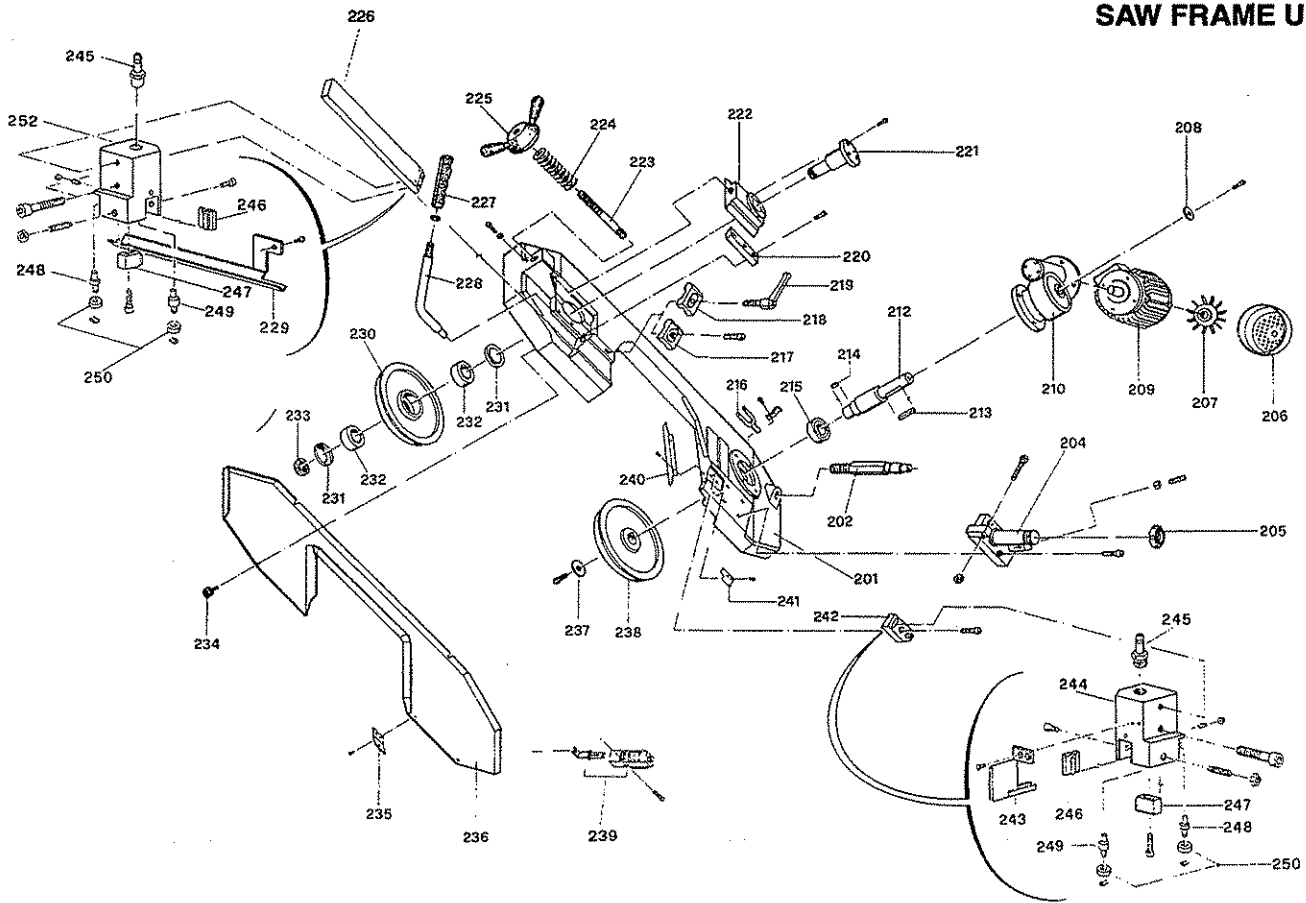
LINEAR VICE ASSEMBLY



REFERENCE N°	DESCRIPTION	REFERENCE N°	DESCRIPTION
101	Linear countervise	111	No-burr jaw
102	Linear vice	112	Counter vice jaw
103	Rapid locking spring	113	Vice jaw
104	Straight vice screw	114	Vice lever bushing
105	Saw frame arm rotation pin	115	Rapid locking vice lever
106	O-Ring 3081	116	Fifth wheel AX 3047
107	Bar-stop rod	117	CP 3047 bearing
108	Bar-stop	118	Rapid locking lever washer
109	Bar-stop push rod	119	Vice handwheel
110	Millimetre ruler	120	Handwheel washer



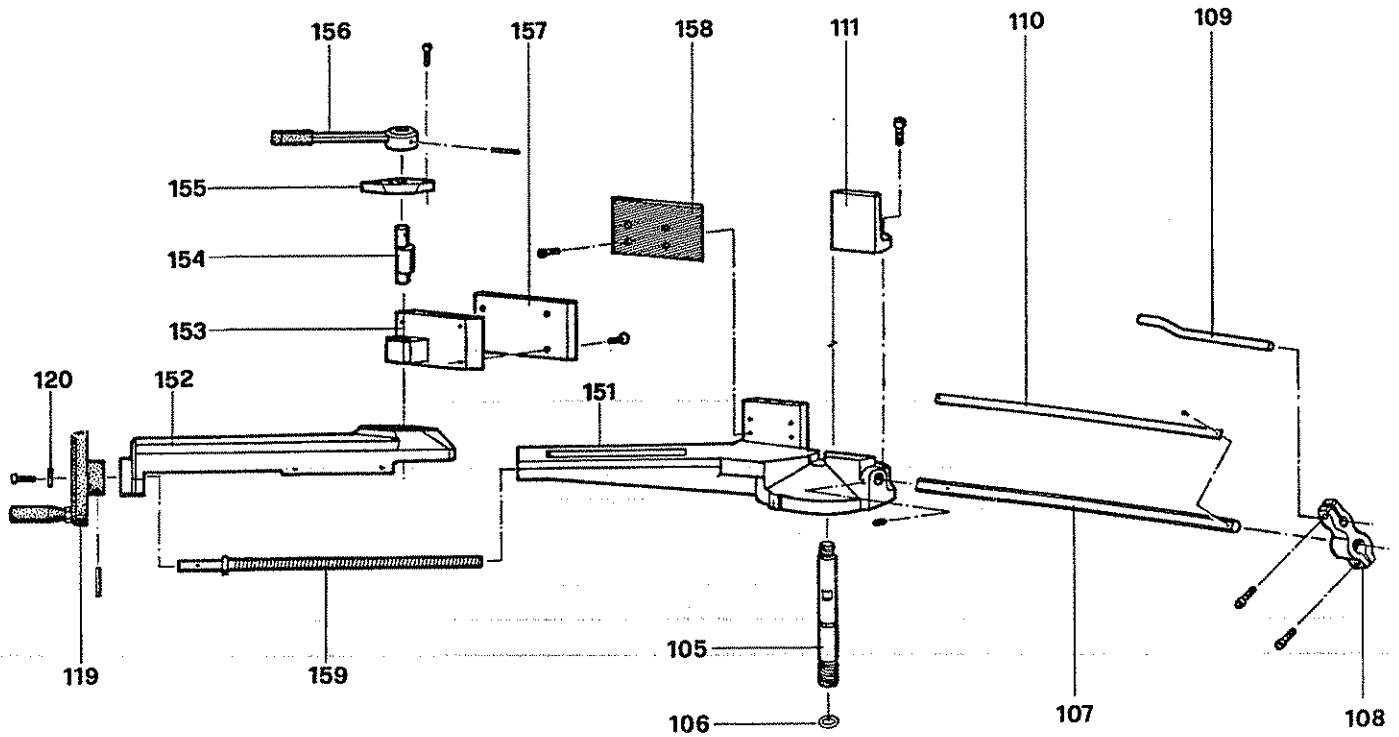
SAW FRAME UNIT



REFERENCE N°	DESCRIPTION	REFERENCE N°	DESCRIPTION
201	Saw frame	228	Saw frame movement lever
202	Brake cylinder spring coupling rod	229	Blade guide rod guard
204	Hinge pin	230	Transmission flywheel
205	Ring nut GUK 35	231	Nilos ring 32006 XAV
206	Motor cover	232	Tapered roller bearing 32006 X
207	Motor fan	233	Ring nut GUK 30
208	Washer	234	Flywheel guard fastening knob
209	Motor M90 kW 0,75 - 1,1	235	Blade left-hand guard
210	Reduction unit R = 1 : 20	236	Flywheel guard
212	Motor/reduction unit flywheel shaft	237	Motor flywheel washer
213	Key 8 x 7 x 50	238	Motor flywheel
214	Key 8 x 7 x 25	239	Guard airtight microswitch
215	Radial bearing 6208-2RS	240	Motor flywheel guard
216	Two-way distributor	241	Blade right-hand guard
217	Mobile rod locking dowel (60° cut)	242	Blade guide head fixed rod
218	Mobile rod locking dowel (45° cut)	243	Blade additional protection
219	Handle M12 x 60	244	Blade guide fixed block
220	Band tightening slide gib	245	1/8" rubber holder coupling
221	Transmission flywheel slide	246	Blade guide fixed pad
222	Blade tightening slide	247	Blade guide adjustable pad
223	Blade tightening slide threaded rod	248	Short eccentric pin
224	Belleville washer Ø 16,3/31,5x1,75	249	Long eccentric pin
225	Blade tightening handwheel	250	Bearing 608 2RS
226	Blade guide head movable rod	252	Adjustment blade guide block
227	Saw frame lever handgrip		



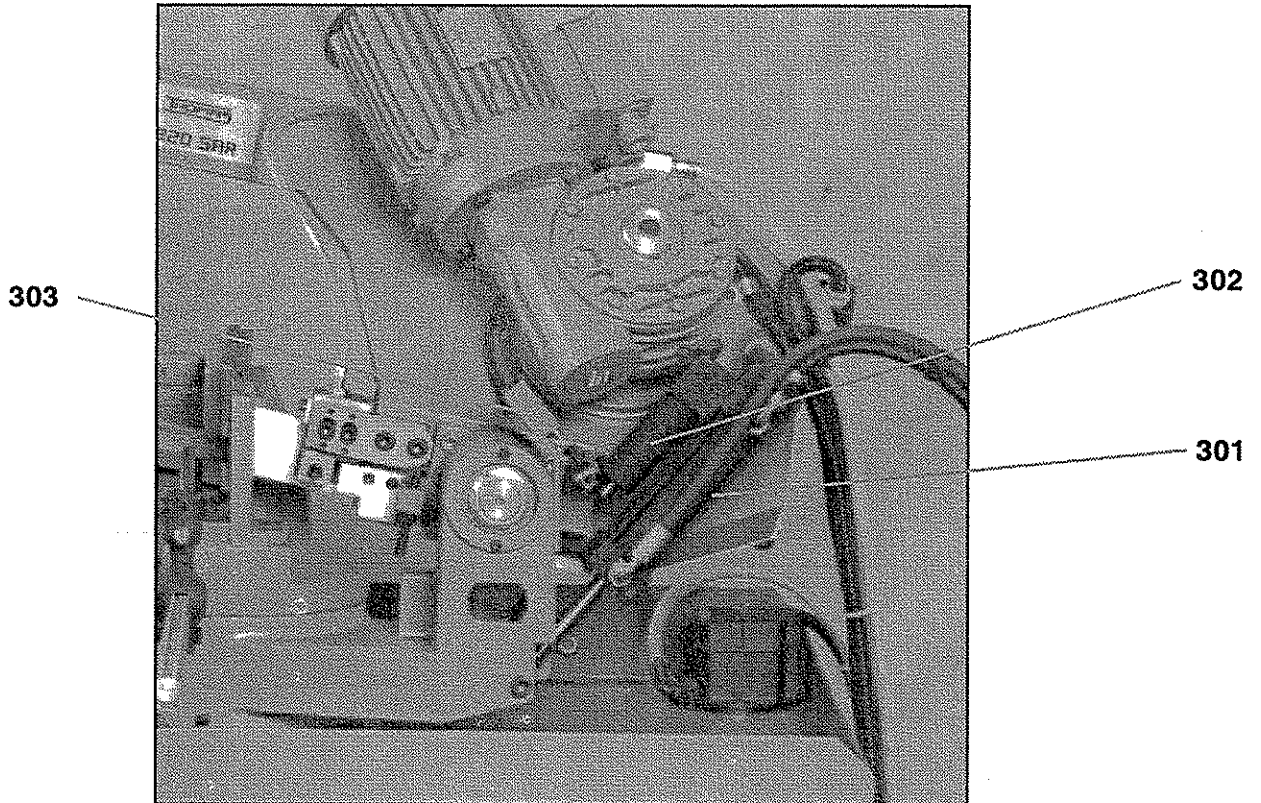
INCLINED VICE ASSEMBLY



REFERENCE N°	DESCRIPTION
151	Inclined counter vice
152	Inclined vice
153	Rapid locking support
154	Eccentric pin
155	Vice closing plate
156	Locking lever
157	Inclined vice jaw
158	Inclined counter vice jaw
159	Inclined vice screw



HYDRAULIC BRAKE ASSEMBLY



REFERENCE N°	DESCRIPTION
301	Brake cylinder
302	Brake cylinder tank
303	Limit switch microswitch



411

410

KEY

- 410 Transformer
- 411 Fuse cartridge
- 412 Fuse cartridge
- 413 Remote control switch
- 414 Terminal board



412

413

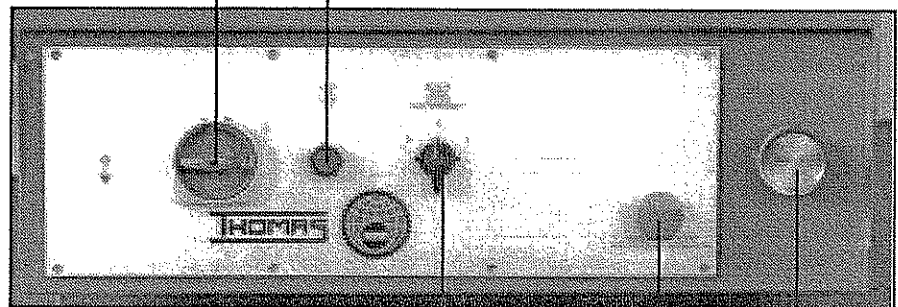
414

416

415

KEY

- 415 Main disconnect switch
- 416 Reset push-button
- 417 Speed switch
- 418 Emergency push-button
- 419 Saw frame lowering regulator



417

418

419