



## 10 MACHINE COMPONENTS

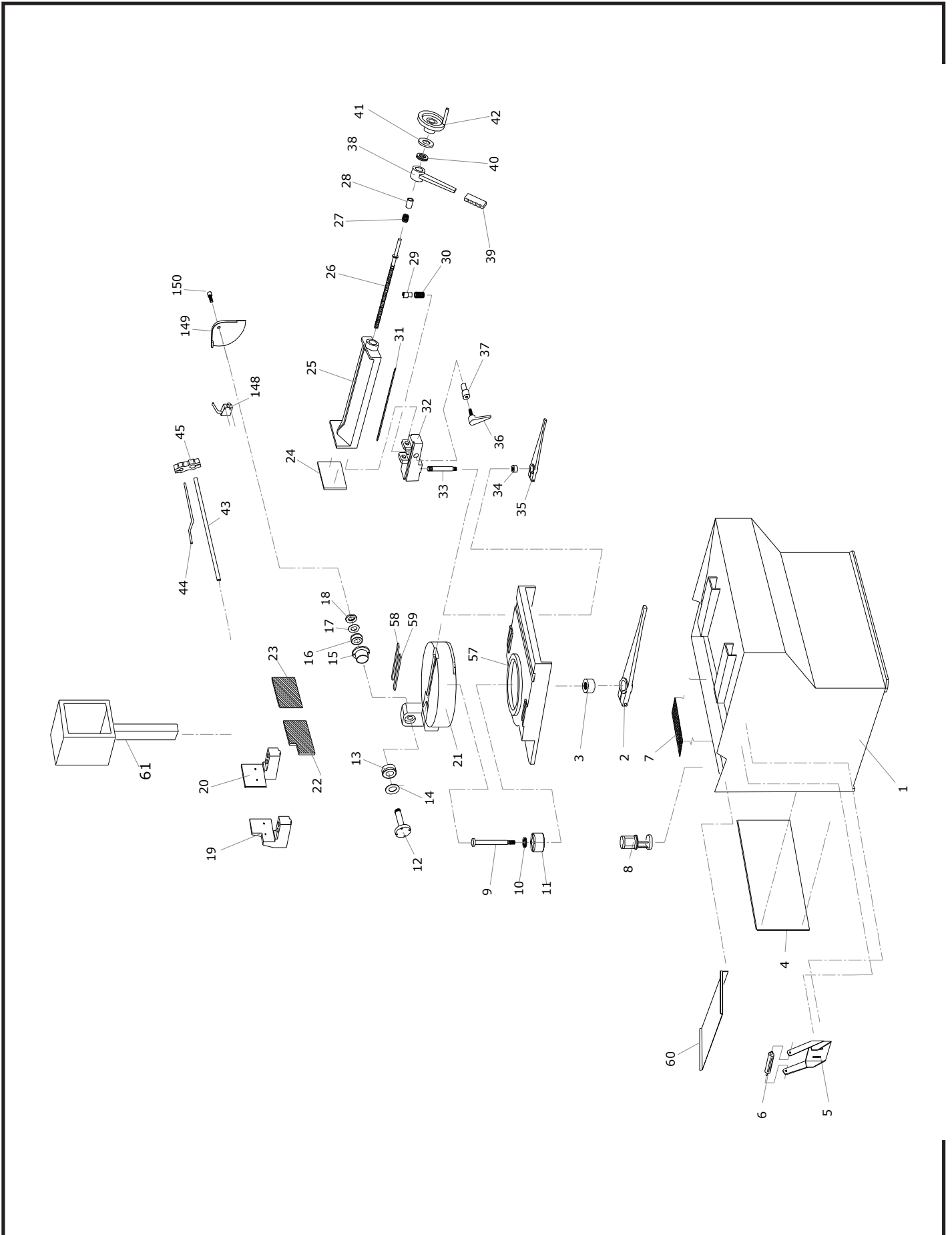
### 10.1 - List of spare parts

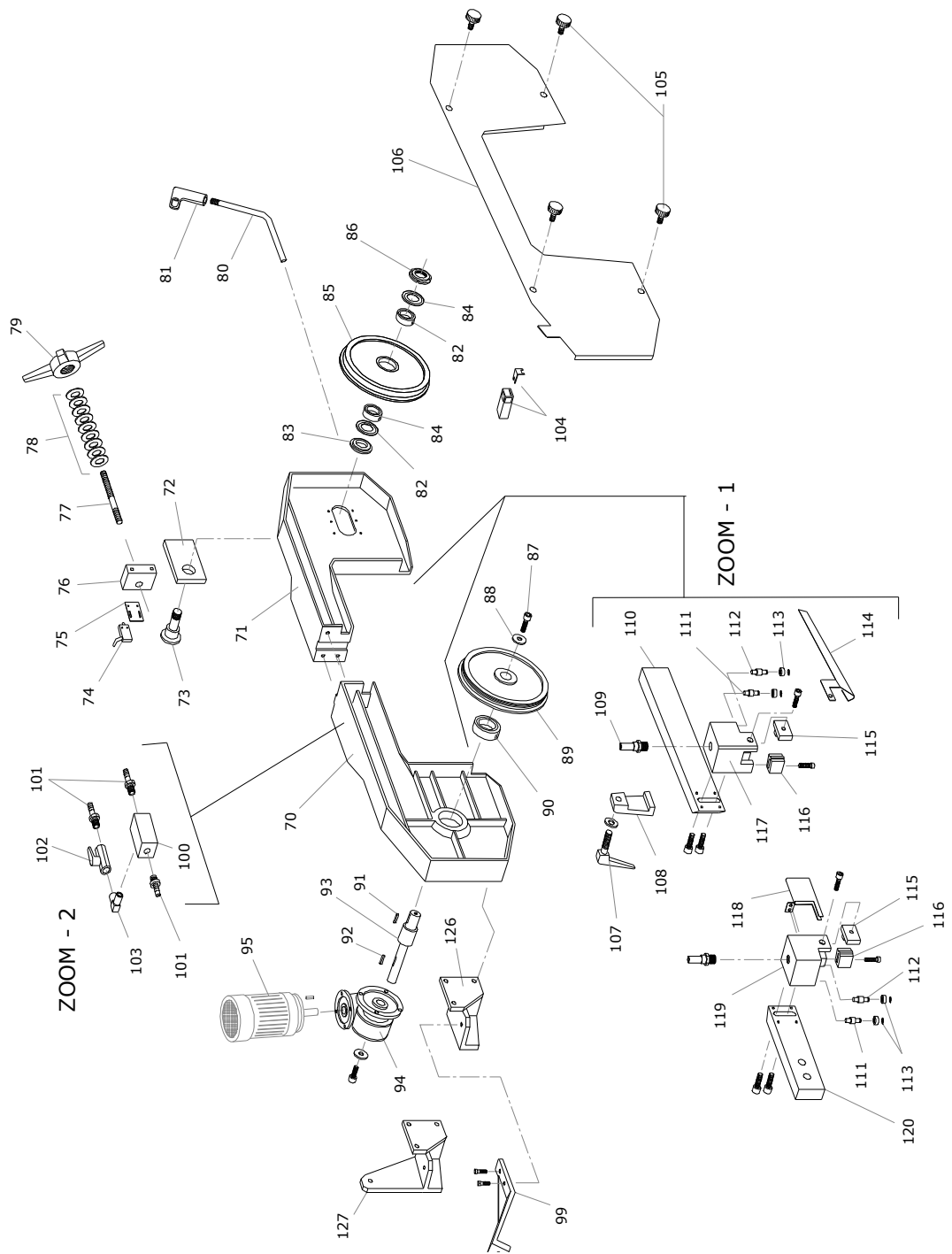
REFERENCE N°	DESCRIPTION
1 .....	Base
2 .....	Arm locking lever
3 .....	Bush
4 .....	Rear protection
5 .....	Roller support
6 .....	Roller
7 .....	Crucible
8 .....	Electropump
9 .....	Pivot
10 .....	Bearing 51105
11 .....	Bush
12 .....	Hinge pivot
13 .....	Bearing 32007 X
14 .....	Ring Nilos 32007 XAV
15 .....	Eccentric bush
16 .....	Bearing 32007 XAV
17 .....	Ring Nilos 32007 XAV
18 .....	Ring nut Guk M 35
19 .....	Left jaw support
20 .....	Right jaw support
21 .....	Rotation plate
22 .....	Left countervice jaw
23 .....	Right countervice jaw
24 .....	Vice jaw
25 .....	Vice
26 .....	Vice screw
27 .....	Spring
28 .....	Bush
29 .....	Leadnut
30 .....	Spring
31 .....	Vice gib
32 .....	Vice support
33 .....	Pin
34 .....	Bush
35 .....	Vice lever
36 .....	Handle
37 .....	Pin
38 .....	Rapid locking vice lever
39 .....	Handle
40 .....	Bearing AX 3047+CP
41 .....	Bush
42 .....	Vice handle
43 .....	Bar stop rod
44 .....	Bar stop pointer
45 .....	Bar stop body
46 .....	Bracket
47 .....	Spring bush
48 .....	Fork
49 .....	Pin
50 .....	Sawframe return spring

REFERENCE N°	DESCRIPTION
51 .....	Brake cylinder
52 .....	Cylinder articulation
57 .....	Base
58 .....	Right plate
59 .....	Left plate
60 .....	Splash protection
61 .....	Electric box
70 .....	Rear part of the sawframe
71 .....	Front part of the sawframe
72 .....	Blade tension plate
73 .....	Pivot
74 .....	Blade tension Microswitch
75 .....	Microswitch supporting plate
76 .....	Blade tension guide
77 .....	Blade tension pin
78 .....	Springs
79 .....	Blade tension handwheel
80 .....	Lever
81 .....	Handle
82 .....	Ring Nilos 32006 XAV
83 .....	Spacer ring
84 .....	Bearing 32006 X
85 .....	Return flywheel
86 .....	Ring nut Guk M 35
87 .....	Screw TE M 12
88 .....	Washer
89 .....	Motor flywheel
90 .....	Bearing 6208 2RS
91 .....	Wrench
92 .....	Wrench
93 .....	Motor flywheel shaft
94 .....	Reduction unit
95 .....	Electric motor
99 .....	Bracket
100 .....	Coolant distributor
101 .....	Connection
102 .....	Coolant tap
103 .....	Connection
104 .....	Microswitch
105 .....	Knob
106 .....	Cover
107 .....	Handle
108 .....	Plate
109 .....	Connection

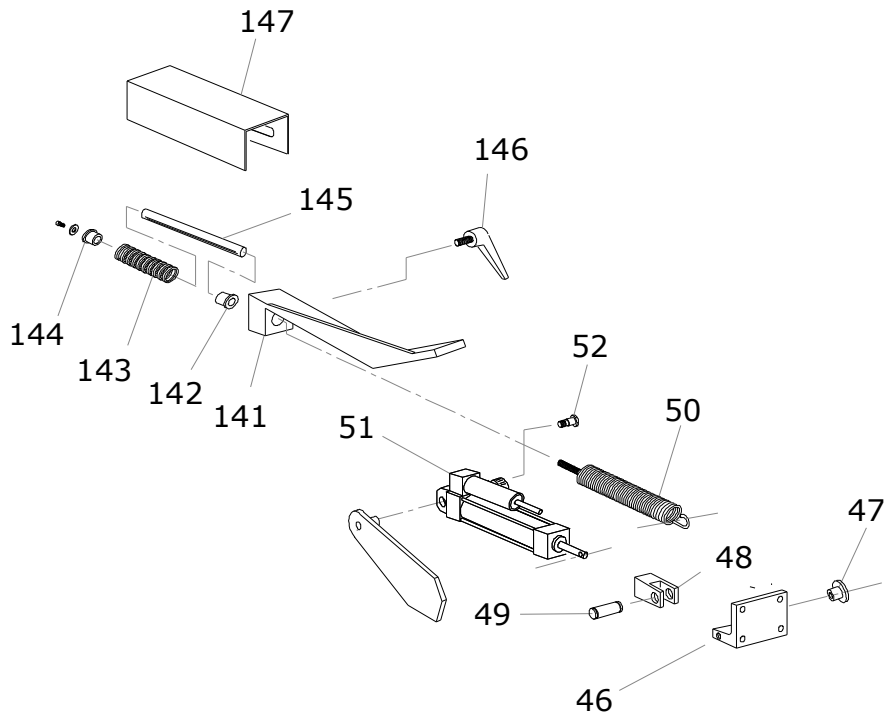


PART NUMBER	DESCRIPTION
110 .....	Blade-guide rod
111 .....	Short eccentric pin
112 .....	Long eccentric pin
113 .....	Bearing 608 2RS
114 .....	Blade-guide protection
115 .....	Fixed blade-guide pad
116 .....	Mobile blade-guide pad
117 .....	Mobile blade-guide block
118 .....	Blade protection
119 .....	Fixed blade-guide block
120 .....	Blade-guide rod
126 .....	Spring support
148 .....	Microswitch
149 .....	Plate
150 .....	Screw M 10

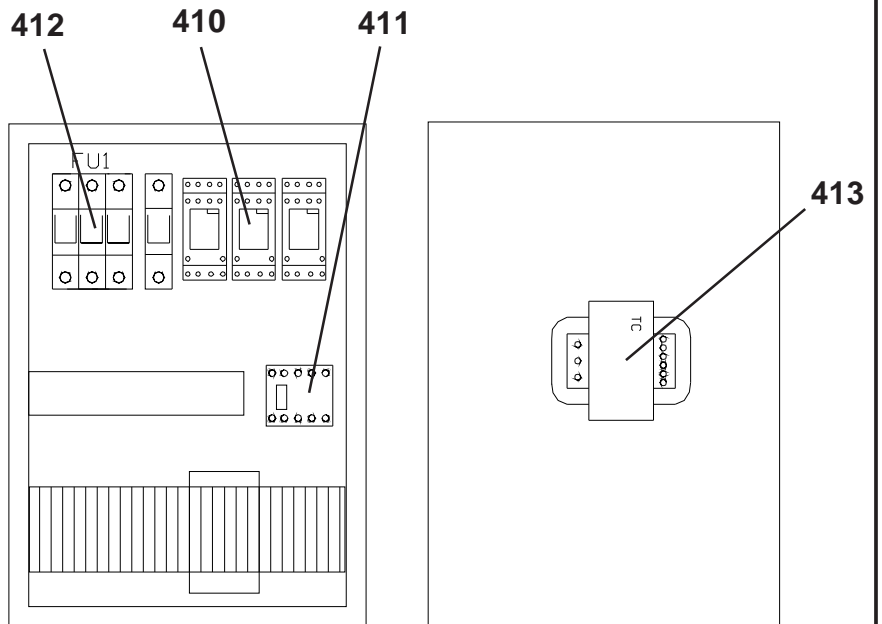




### BRAKE UNIT

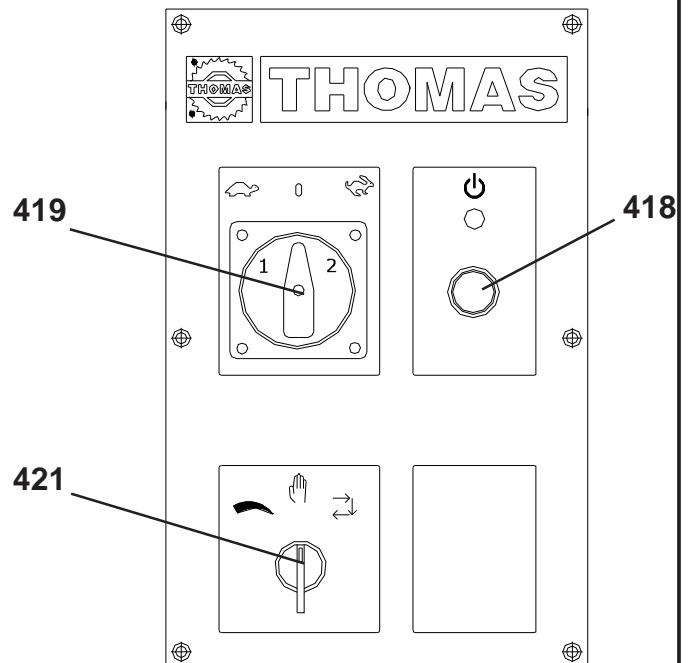
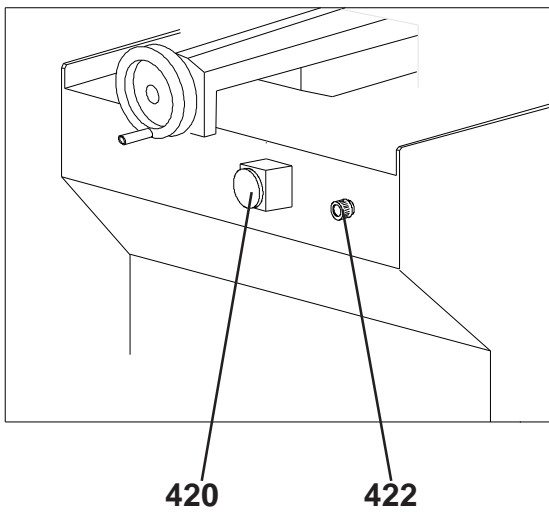


NR. RIFERIMENTO	DENOMINAZIONE
47 .....	Bush
48 .....	Forck
49 .....	Pin
50 .....	Spring
51 .....	Brake cylinder
52 .....	Cylinder articulation
141 .....	Bracket
142 .....	Bush
143 .....	spring
144 .....	Bush
145 .....	Rod
146 .....	Handle
147 .....	Protection



**KEY**

- 410 Auxiliary relay
- 411 Remote-control switch
- 412 Fuse cartridge
- 413 Transformer



**KEY**

- 418 Reset push-button
- 419 Main switch
- 420 Emergency push-button
- 421 Cycle selector
- 422 Hydraulic regulator