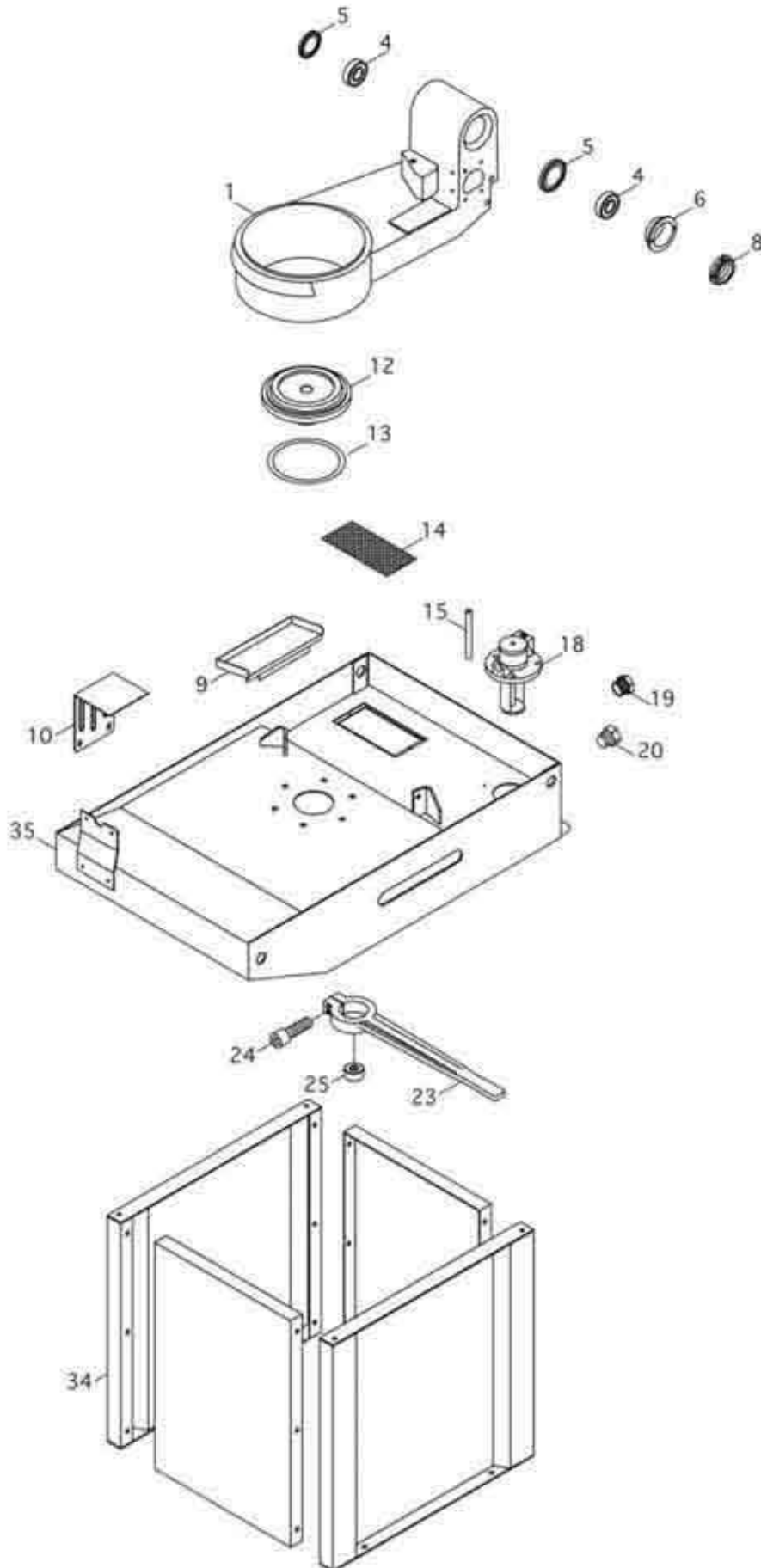
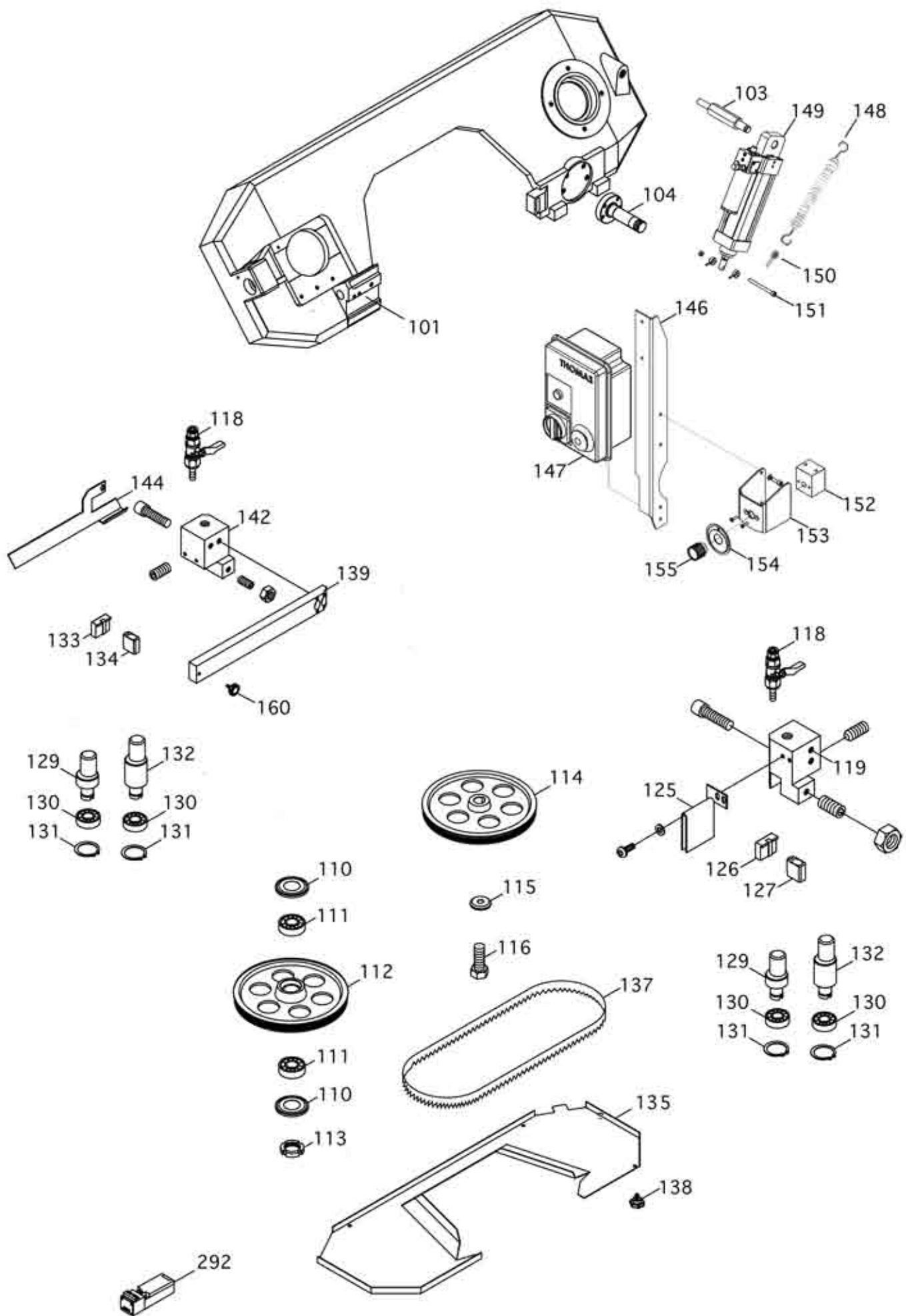


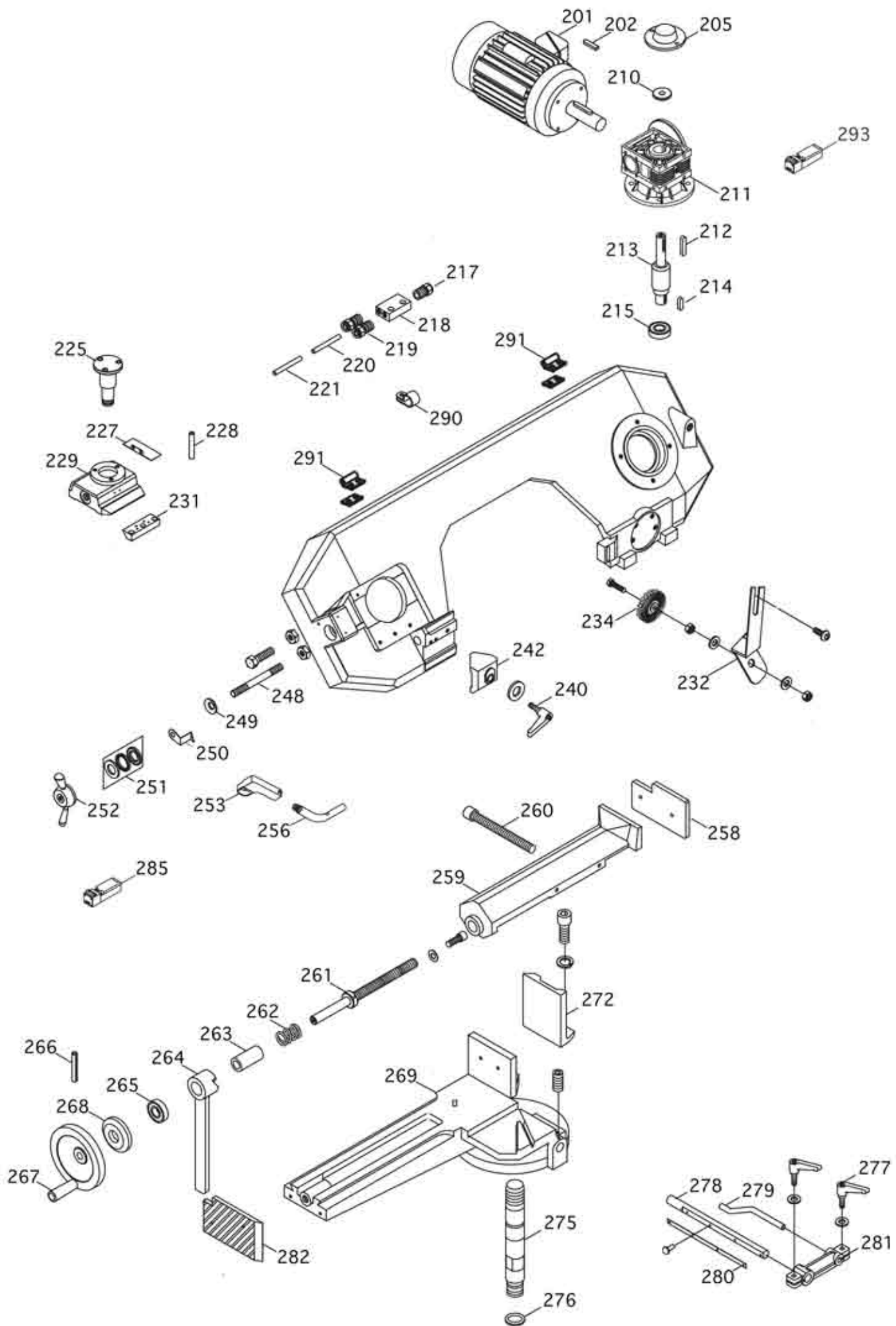


THOMAS

ZIP29DA ONDERDEELTEKENING







ZIP 29 DA	1	Revolving arm	99SM198002TH
ZIP 29 DA	4	Bearing 32007 X	84320025
ZIP 29 DA	5	Ring NILOS 32007 XAV	86005008
ZIP 29 DA	6	Eccentric bush	99M198029
ZIP 29 DA	8	Ring nut GUK M35	81700035
ZIP 29 DA	9	Splash guard	99M198073T
ZIP 29 DA	10	Material support	99SM198054M
ZIP 29 DA	12	Base swivel arm	99M198001PM
ZIP 29 DA	13	O-ring 19,5x5,7	99MHO043
ZIP 29 DA	14	Crucible	99M121031
ZIP 29 DA	15	Tube mm5x8	99T01100
ZIP 29 DA	18	Electropump	88140020
ZIP 29 DA	19	Coolant lever indicator	99M121067M
ZIP 29 DA	20	Coolant tank plug	99MHB605
ZIP 29 DA	23	Revolving arm locking lever	99SM198010T
ZIP 29 DA	24	Hex socket head screw	81150825
ZIP 29 DA	25	Busch	AFB80012
ZIP 29 DA	34	Pedestal	99SM198001FM
ZIP 29 DA	35	Bench	99SM198001M
ZIP 29 DA	101	Bow	99SM198005
ZIP 29 DA	103	Brake cylinder attachment pin	060H0024
ZIP 29 DA	104	Hinge pin	99M198028
ZIP 29 DA	110	Ring NILOS 32006 XAV	86005007
ZIP 29 DA	111	Bearing 32006 X	84320017
ZIP 29 DA	112	Return flywheel	99M198007
ZIP 29 DA	113	Ring nut GUK M30	81700030
ZIP 29 DA	114	Motor flywheel	99M198006
ZIP 29 DA	115	Washer	99M198036
ZIP 29 DA	116	Hexagonal head screw	81100194
ZIP 29 DA	118	Coolant tap 1/8'	99MHD803
ZIP 29 DA	119	Fixed blade guide block	99SM198014A
ZIP 29 DA	125	Fixed b/guide guard	99SM198032AT
ZIP 29 DA	126	Mobile blade guide pad	AF750146
ZIP 29 DA	127	Fixed blade guide pad	AF750147
ZIP 29 DA	129	Short eccentric pin	AF75B148
ZIP 29 DA	130	Bearing 608 2RS	84113010
ZIP 29 DA	131	Ring SEEGER Ø8	92003102
ZIP 29 DA	132	Long eccentric pin	AF750148
ZIP 29 DA	133	Mobile blade guide pad	AF750146
ZIP 29 DA	134	Fixed blade guide pad	AF750147
ZIP 29 DA	135	Carter	99SM198030TH
ZIP 29 DA	137	Bandsaw blade	LAM245027WZ
ZIP 29 DA	138	Knob M6	44114514
ZIP 29 DA	139	Mobile blade guide rod	99SM198016
ZIP 29 DA	142	Fixed blade guide block	99SM198015A
ZIP 29 DA	144	Mobile blade protection	99SM198034
ZIP 29 DA	146	Electric box support	1,70E+32
ZIP 29 DA	147	Electric box	2,30E+12
ZIP 29 DA	147	Cover electric box	2,30E+11
ZIP 29 DA	148	Bow return spring	E20C0068
ZIP 29 DA	149	Cylinder	200H0022
ZIP 29 DA	152	Downfeed regulator valve	88900001
ZIP 29 DA	153	Regulator support bracket r	110H0089
ZIP 29 DA	155	Knob downfeed regulator	44116423
ZIP 29 DA	168	Knob mobile blade guide rod	
ZIP 29 DA	201	Motor 3PH 0,55 - 1,1 kW	74322080
ZIP 29 DA	202	Key 6x6x40	82502202
ZIP 29 DA	205	Garbox cover	99M198108M
ZIP 29 DA	210	Washer	99M198037
ZIP 29 DA	211	Gearbox	99M198201MA
ZIP 29 DA	212	Key 8x7x50	82502212
ZIP 29 DA	213	Motor flywheel shaft	E20C1062

ZIP 29 DA	214	Key 8x7x50	82502212
ZIP 29 DA	215	Bearing 6208 2RS	84113062
ZIP 29 DA	217	Coolant connection RL 8 1/4	69001060
ZIP 29 DA	218	3 ways valve	99198067
ZIP 29 DA	219	Coolant connection RL 6 1/8	69001066
ZIP 29 DA	220	Tube PU	69102002
ZIP 29 DA	221	Tube PU	69102002
ZIP 29 DA	225	Return flywheel pin	99M198024
ZIP 29 DA	227	Blade tension slide protection	99M198151
ZIP 29 DA	228	Pin Ø 5x38	99950201
ZIP 29 DA	229	Blade tension slide protection	99SM198008
ZIP 29 DA	231	Block	99M198013
ZIP 29 DA	232	Brusch support	M198032B
ZIP 29 DA	234	Blade clean brush	48599001
ZIP 29 DA	240	Jaccard M10x50	46110002
ZIP 29 DA	242	Mobile rod locking support	99SM198012M
ZIP 29 DA	248	Tension blade pin M16	99M198026
ZIP 29 DA	249	Spring washers (14)	96500202
ZIP 29 DA	251	Bearing 51203	84310008
ZIP 29 DA	252	Blade tension handweel M12	99M198051A
ZIP 29 DA	253	Handgrip STZ	44600001
ZIP 29 DA	256	Bow lever	AFA41127
ZIP 29 DA	258	Vice jaw	99SM198022M
ZIP 29 DA	259	Vice	99SM198004M
ZIP 29 DA	260	Hexagon socket head	81156110
ZIP 29 DA	261	Vice screw	99M198025
ZIP 29 DA	262	Quick lock vice spring	99M198040
ZIP 29 DA	263	Lever bush (q.l.v.)	99M198049
ZIP 29 DA	264	Quick lock vice lever	AGB80031
ZIP 29 DA	265	Bearing 3047 AX CP	84500001
ZIP 29 DA	266	Pin Ø 5x35	82504189
ZIP 29 DA	267	Vice handwheel	99M198052
ZIP 29 DA	268	Quick lock vice washer	99M198039
ZIP 29 DA	269	Countervice	99SM198003
ZIP 29 DA	272	Countervice jaw	99M198011
ZIP 29 DA	275	Rotation pin	99M198043
ZIP 29 DA	277	Jaccard M8x30	46110003
ZIP 29 DA	278	Bar stop rod	99M198059
ZIP 29 DA	279	Pointer, bar-stop	99M198058
ZIP 29 DA	280	Scale bar stop rod	99M198087
ZIP 29 DA	281	Plate bar stop rod	99SM198057
ZIP 29 DA	282	Right jaw	99SM198021
ZIP 29 DA	290	Carter locker	47901000
ZIP 29 DA	291	Hinge	47901002
ZIP 29 DA	312	Scale	220X0286
ZIP 29 DA	292	Microswitch	72212014
ZIP 29 DA	293	Microswitch	72212005/S
ZIP 29 DA	285	Microswitch	72212008/S
ZIP 29 DA	ELECTR.	Transformer 30VA	1
ZIP 29 DA	ELECTR.	Auxiliary relay	2
ZIP 29 DA	ELECTR.	Remote control switch	3
ZIP 29 DA	ELECTR.	Fuse holder	4
ZIP 29 DA	ELECTR.	Fuse holder	5
ZIP 29 DA	ELECTR.	Speed switch	6
ZIP 29 DA	ELECTR.	Start button	7
ZIP 29 DA	ELECTR.	Emergency button	8
ZIP 29 DA	ELECTR.	Thermal relay	9
ZIP 29 DA	KIT	KIT MOBILE B/GUIDE ASSEMBLED	KIT00001
ZIP 29 DA	KIT	KIT FIXED B/GUIDE ASSEMBLED	KIT00002
ZIP 29 DA	KIT	KIT BLADE CLEAN BRUSH	KIT00003