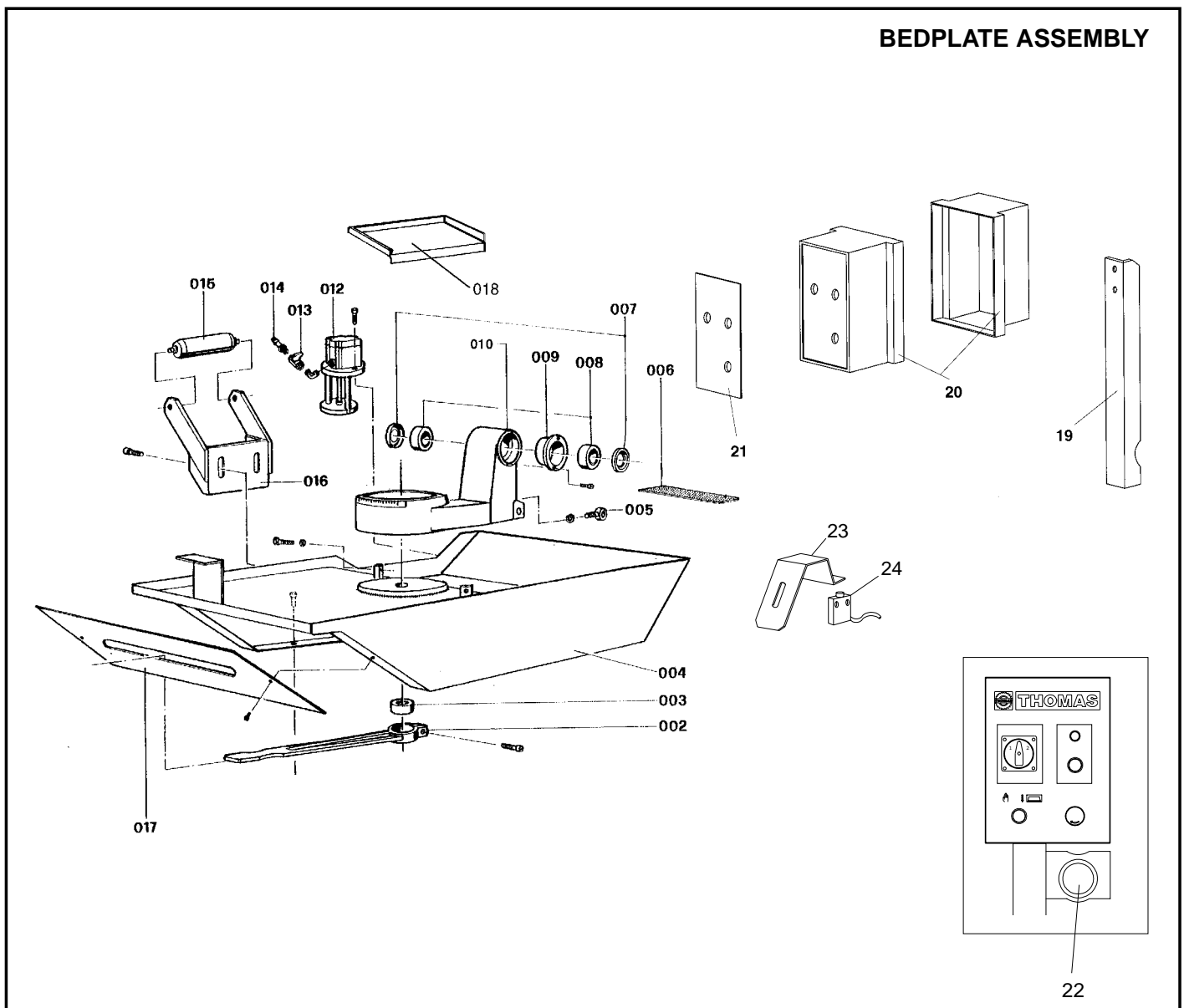


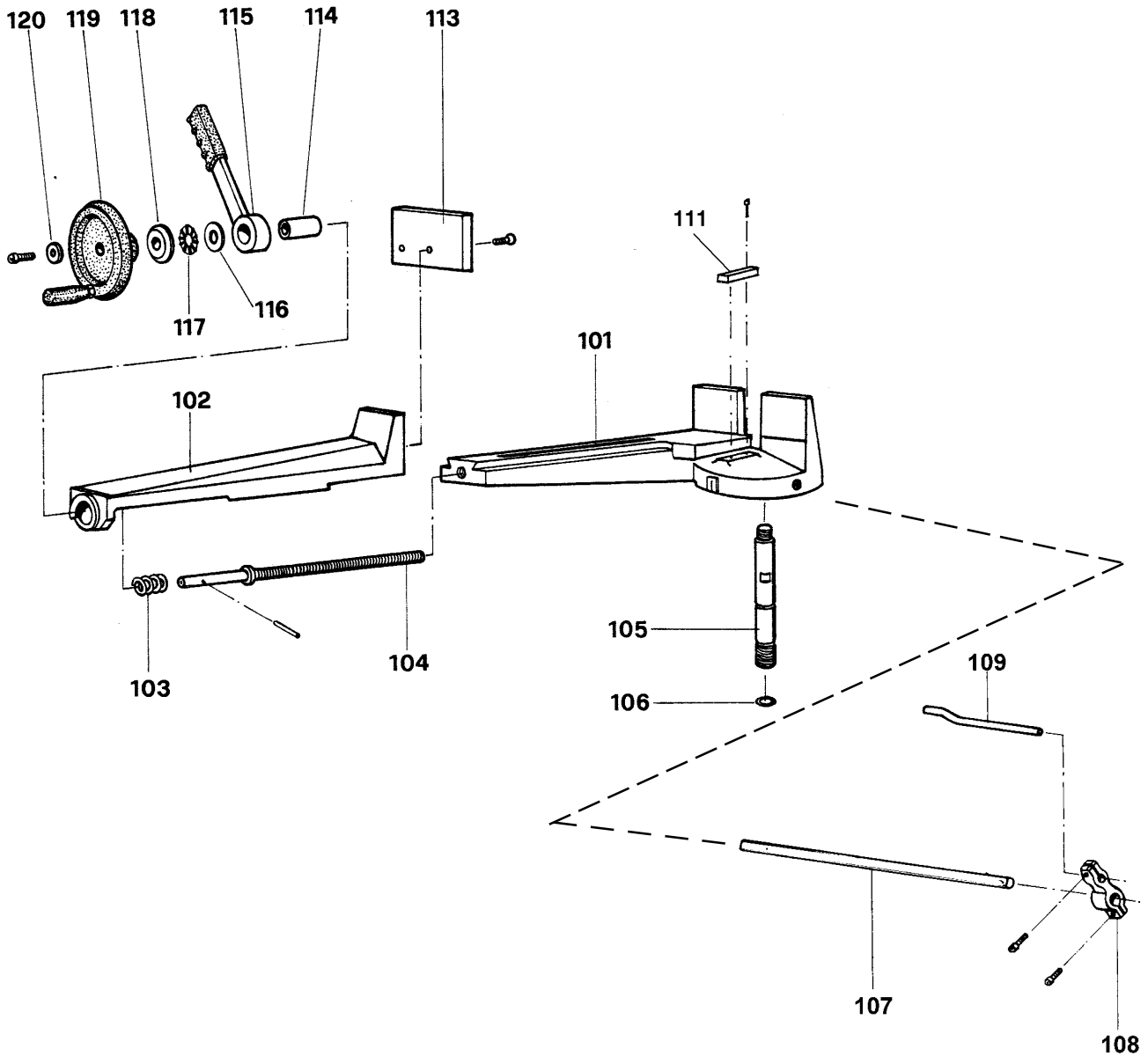
10 MACHINE COMPONENTS

10.1 - List of spare parts



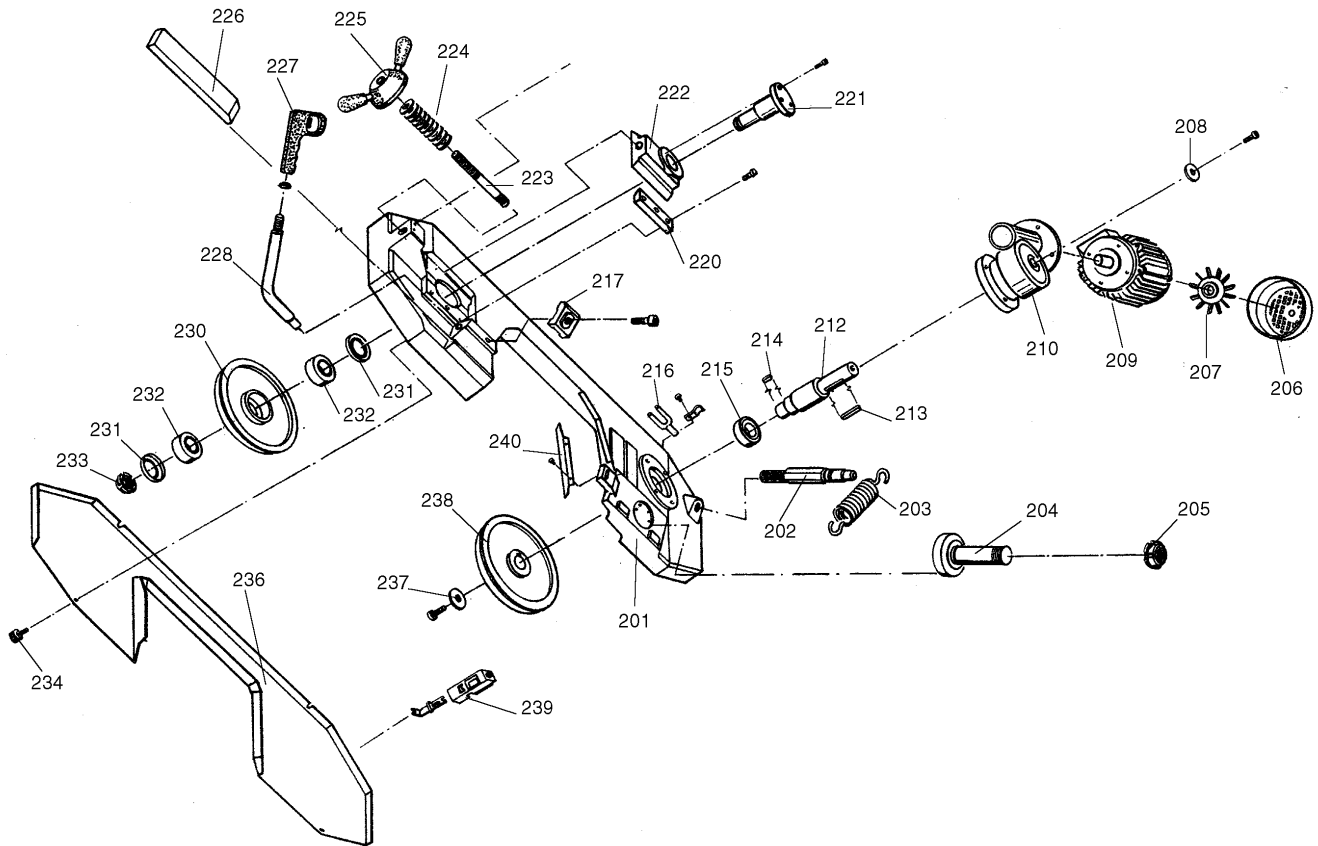
REFERENCE N°	DESCRIPTION	REFERENCE N°	DESCRIPTION
001	Cabinet stand	014	Rubber ring coupling
002	Swivel arm locking lever	015	Roller
003	Locking bush	016	Roller holding arm
004	Bedplate	017	Locking lever guard
005	Spring coupling tie-rod	018	Coolant liquid holder
006	Filter	019	Box support
007	Nilos ring 32006 XAV	020	Electric components box
008	Bearing 32006 X	021	Control board
009	Hinge cam bushing	022	Regulator
010	Swivel arm 010 Swivel arm	023	Plate
012	Pump	024	Microswitch
013	Cooling liquid tap		

LINEAR VICE ASSEMBLY



REFERENCE N°	DESCRIPTION	REFERENCE N°	DESCRIPTION
101	Linear countervise	111	Plate
102	Linear vice	112	
103	Rapid locking spring	113	Vice jaw
104	Vice screw	114	Vice lever bushing
105	Saw frame arm rotation pin	115	Rapid locking vice lever
106		116	Bearing 51106
107	Bar-stop rod	118	Rapid locking lever washer
108	Bar-stop	119	Vice handwheel
109	Bar-stop push rod	120	Handwheel washer
110			

SAW FRAME ASSEMBLY



REFERENCE N°

DESCRIPTION

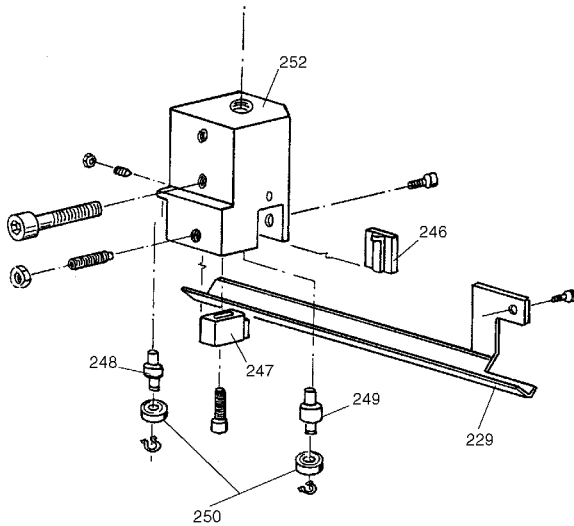
201	Saw frame
202	Brake cylinder spring coupling rod
204	Hinge pin
205	Ring nut GUK 35
206	Motor cover
207	Motor fan
208	Washer
209	Motor M90 kW 0,75 - 1,1
210	Reduction unit R = 1 : 20
212	Motor/reduction unit flywheel shaft
213	Key 8 x 7 x 50
214	Key 8 x 7 x 25
215	Radial bearing 6208-2RS
216	Two-way distributor
217	Mobile rod locking dowel
218	
219	
220	Band tightening slide gib
221	Transmission flywheel pin
222	Blade tightening slide
223	Blade tightening slide threaded rod
224	Belleville washer Ø 16,3/31,5x1,75
225	Blade tightening handwheel
226	Blade guide head movable rod
227	Handgrip

REFERENCE N°

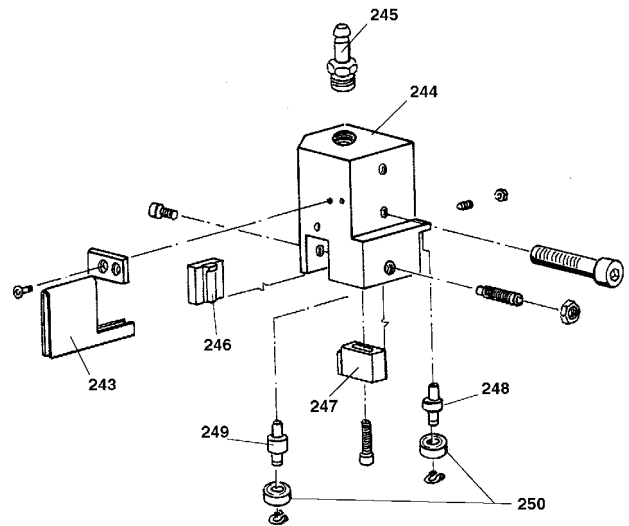
DESCRIPTION

228	Saw frame movement lever
229	Blade guide rod guard
230	Transmission flywheel
231	Nilos ring 32006 XAV
232	Bearing 32006 X
233	Ring nut GUK 30
234	Flywheel guard fastening knob
235	Blade left-hand guard
236	Flywheel guard
237	Motor flywheel washer
238	Motor flywheel
239	
240	Motor flywheel guard
241	Blade right-hand guard
242	Blade guide head fixed rod
243	Blade additional protection
244	Blade guide fixed block
245	1/8" rubber holder coupling
246	Blade guide fixed pad
247	Blade guide adjustable pad
248	Short eccentric pin
249	Long eccentric pin
250	Bearing 608 2RS
251	Blade tightening microswitch
252	Adjustment blade guide block

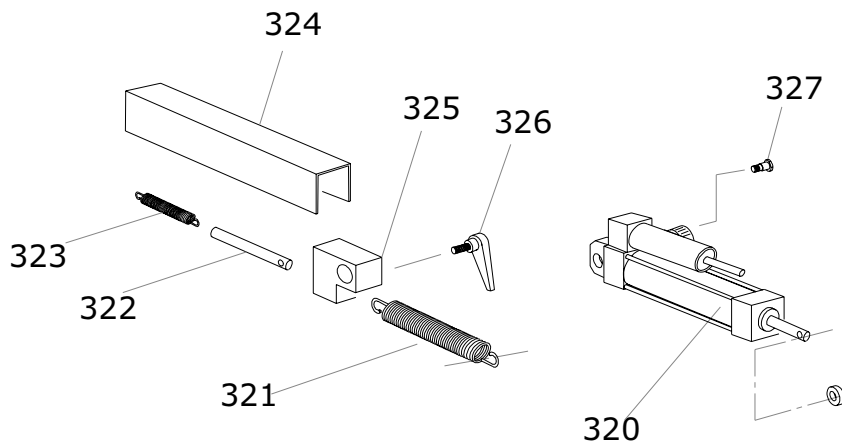
ADJUSTMENT BLADE GUIDE BLOCK



BLADE GUIDE FIXED BLOCK



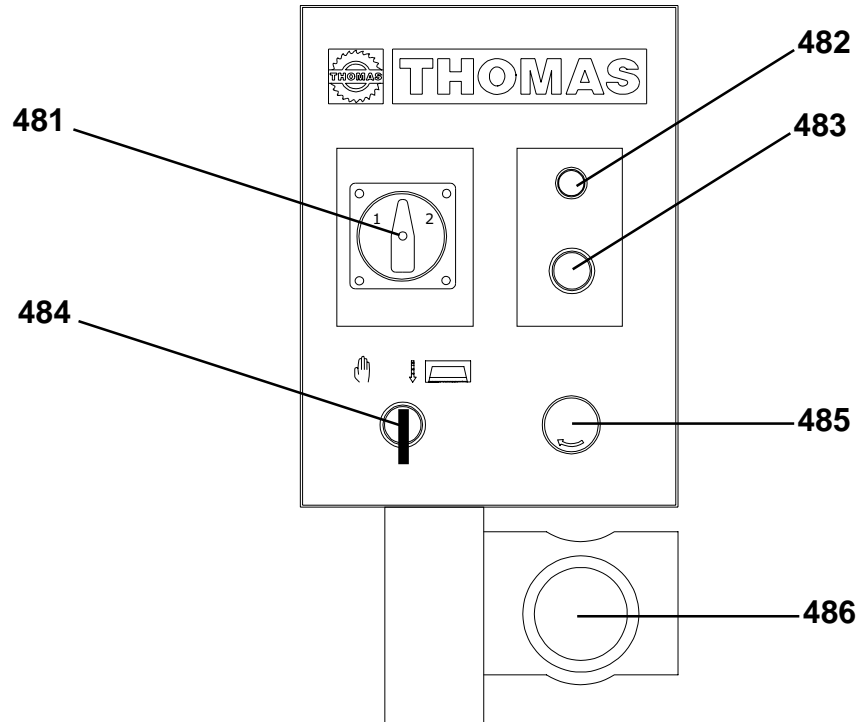
BRAKE UNIT



NR. RIFERIMENTO	DENOMINAZIONE
320	Bracke cylinder
321	Saw frame spring
322	Rod
323	spring
324	Protection spring
325	Support
326	Handle
327	Cylinder articulation

KEY

- 481 Speed switch
- 482 Light
- 483 Reset push button
- 484 Cycle selector
- 485 Emergency push-button
- 486 Regulator



KEY

- 491 Fuse cartridge
- 492 Relay
- 493 Remote control switch
- 494 Thermal relay
- 495 Transformer

