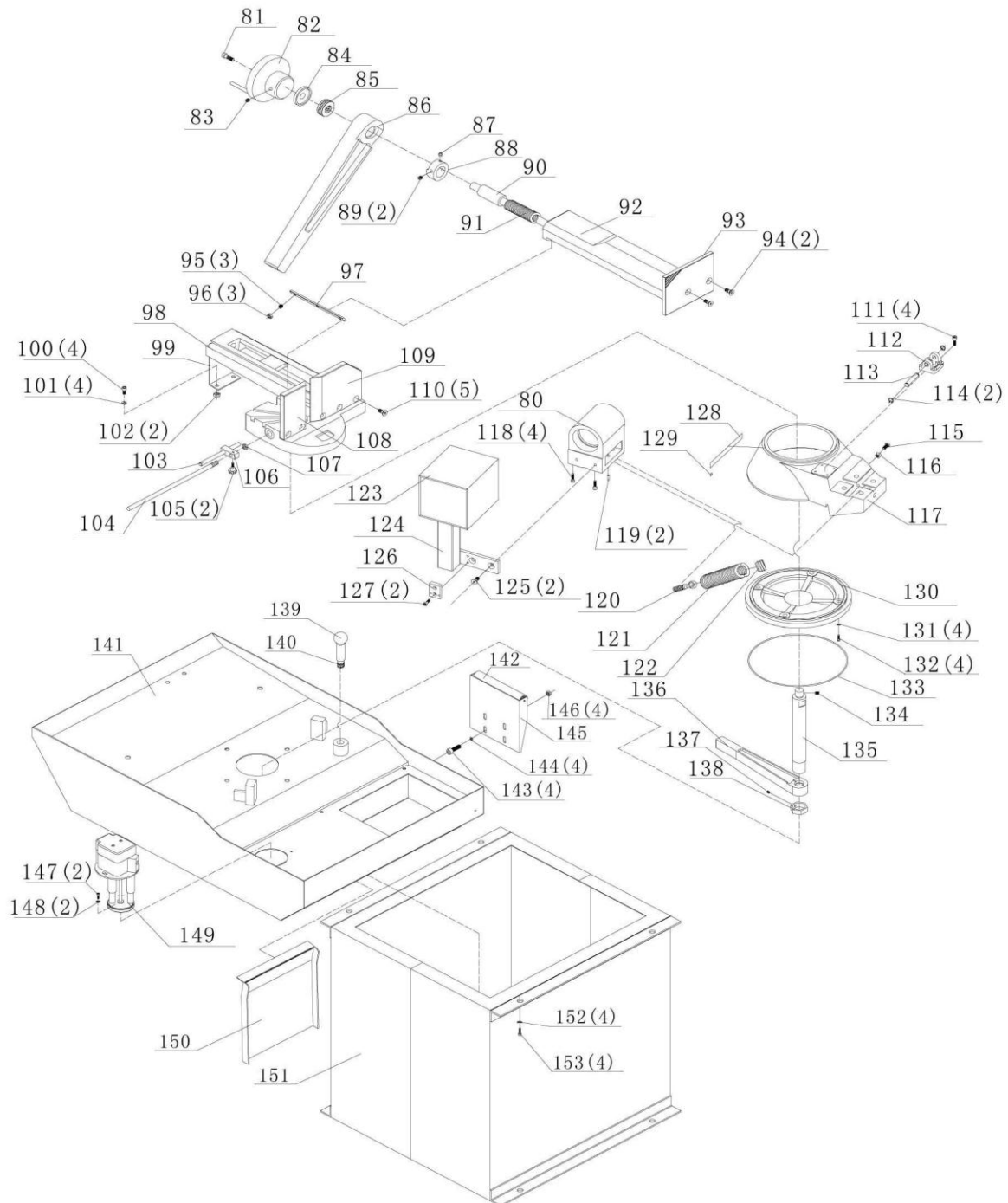
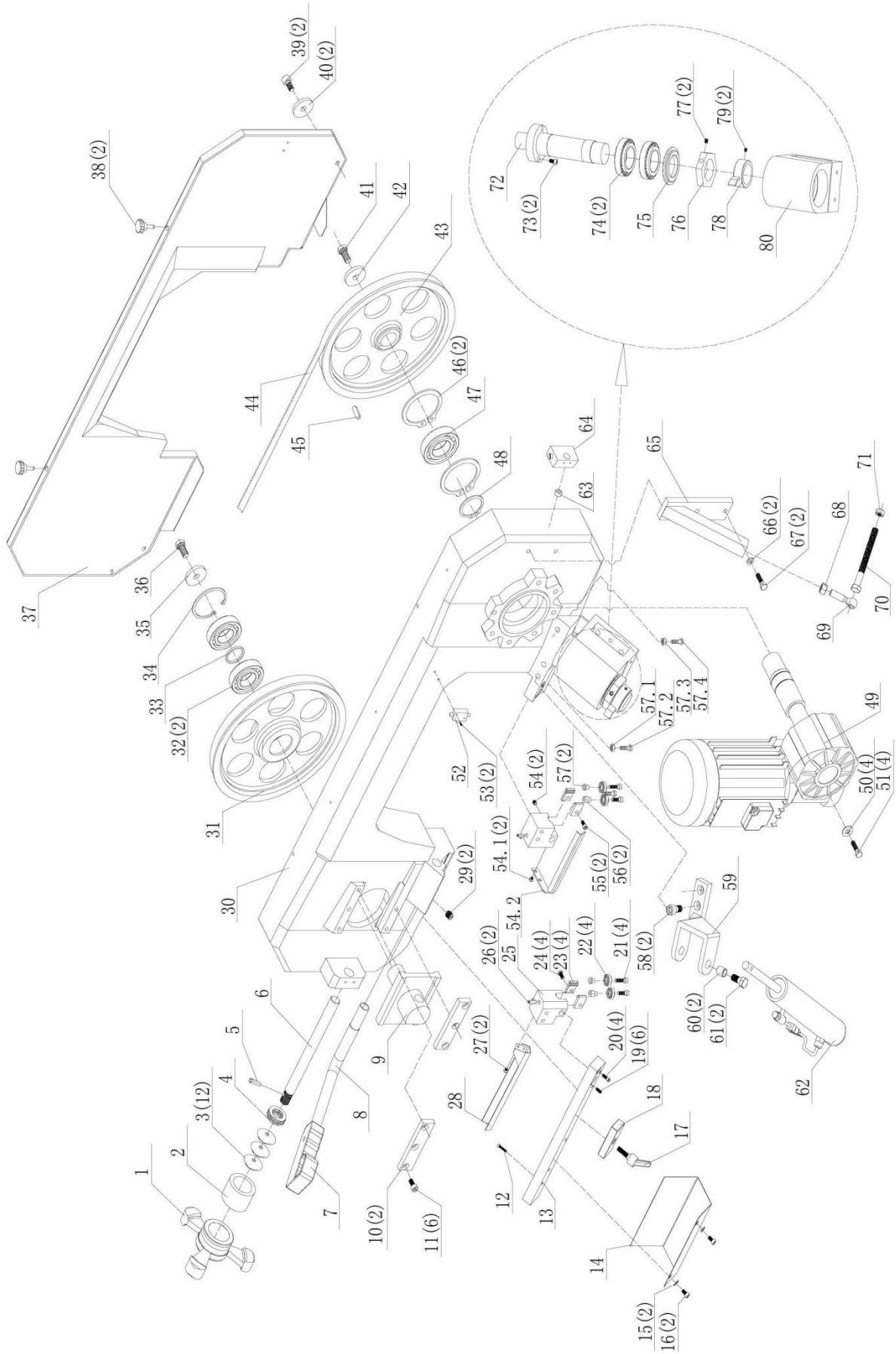


ONDERDEEL TEKENING

LZ280S



LZ280S



LZ280S

Nr.	Omschrijving	Aantal	Nr.	Omschrijving	Aantal
1	Vice handwheel	1	42	Washer	1
2	Bush	1	43	Drive flywheel	1
3	Spring 40x20.5x2	12	44	Blade	1
4	Lead screw AXK2035	1	45	Pin 10x20	1
5	Pin 8x35	1	46	Coolar 40	2
6	Tension shaft	1	47	Bearing 68-2Z	1
7	Microswitch	1	48	Coolar 25	1
8	Knob rod	1	49	Motor and gear box	1
9	Slide	1	50	Washer 10	4
10	Gib	2	51	Bolt M10x25	4
11	Bolt M8x16	6	52	Pipe fitting seat	2
12	Bolt M6x10	1	53	Bolt M4x25	2
13	Blade guide arm	1	54	Hex. Cap bolt M8x10	2
14	Blade guard	1	54.1	Head screw M6x10	2
15	Washer 6	2	54.2	Back blade-guide guard	1
16	Bolt M6x10	2	55	Bolt M8x10	2
17	Clamping lever	1	56	Blade guide eccentric bush	2
18	Press block	1	57	Blade guide eccentric bush	2
19	Hex. Cap bolt M6x30	2	57.1	Nut M8	1
20	Bolt M8x25	4	57.2	Bolt M8x30	1
21	Bolt M6x30	4	57.3	Nut M8	1
22	Bearing 608-2Z	4	57.4	Bolt M8x25	1
23	Blade guide block	4	58	Bolt M10x20	2
24	Bolt M8x14	4	59	Hydraulic cylinder fix seat (1)	1
25	Back adjust seat	1	60	Bush	2
26	Pipe fitting	2	61	Bolt M12x25	2
27	Hex. Socket cap screw M5x8	2	62	Hydraulic cylinder	1
28	Front blade-guide guard	1	63	Washer	1
29	Bolt M10x10	2	64	Magnetic switch	1
30	Bow	1	65	Fix seat for spring	1
31	Idle wheel	1	66	Washer 8	2
32	Bearing 627-2Z	2	67	Bolt	2
33	Bearing bushing	1	68	Nut M10	1
34	Coolar 72	1	69	Eyebolt M12x50	1
35	Washer	1	70	Bolt M10x120	1
36	Bolt M12x25	1	71	Nut M12	1
37	Blade cover	1	72	Rotor	1
38	Knob bolt M6x12	2	73	Bolt M6x20	2
39	Bolt M6x10	2	74	Bearing 32008	2
40	Washer 6	2	75	Dustproof cover	1
41	Bolt M10x25	1	76	Nut	1

LZ280S

Nr.	Omschrijving	Aantal	Nr.	Omschrijving	Aantal
77	Bolt M8x10	2	120	Eyebolt M12x50	1
78	Stop block	1	121	Spring	1
79	Bolt M6x8	2	122	Leptospira	1
80	Fix seat for rotor	1	123	Control box	1
81	Bolt M8x25	1	124	Control box support bracket	1
82	Hand wheel 150x18	1	125	Bolt M8x20	2
83	Tighten bolt M6x10	1	126	Pillow block	1
84	End housing	1	127	Bolt M5x16	2
85	Lead screw AXK3047	1	128	Vice scale	1
86	Vice lever	1	129	Pointer	1
87	Grease cup 6	1	130	Fix seat	1
88	Tighten block	1	131	Washer	4
89	Bolt M8x10	2	132	Bolt M10x25	4
90	Lead screw	1	133	Ring 3.55 x 288	1
91	Spring	1	134	Bolt M6x10	1
92	Upper vice	1	135	Link axis	1
93	Vice plat	1	136	Bench lever	1
94	Bolt M8x20	2	137	Nut	1
95	Bolt M8x25	3	138	Grub screw	1
96	Nut 8	3	139	Handle glob M10x32	1
97	Wedge plate	1	140	Shaft	1
98	Below vice	1	141	Coolant and chip tray	1
99	Support plate	1	142	Roll arm assembly	1
100	Bolt M8x16	4	143	Bolt M58x20	4
101	Washer	4	144	Washer 8	4
102	Nut M8	2	145	Feed support	1
103	Shaft stop	1	146	Nut	4
104	Bar stop	1	147	Bolt M6x12	2
105	Knob M8x16	2	148	Washer 6	2
106	Stop block	1	149	Pump	1
107	Nut M16	1	150	Plate	1
108	Vice plate	1	151	Base	1
109	Vice plate	1	152	Washer 10	4
110	Bolt M8x20	5	153	Bolt M10x20	4
111	Bolt M6x20	4	160	Hi / low speed switch SA1	1
112	Hydraulic cylinder fix seat (2)	1	161	Start push button SA2	1
113	Fixing rod	1	162	Selector switch SA3	1
114	Washer 10	2	163	Lamp HL	1
115	Bolt M8x40	1	164	Emergency stop TA	1
116	Nut M8	1	166	Voedingsregelaar met electr.klep	1
117	Rotating arm	1	170	Transformer TC	1
118	Bolt M10x30	4	171	Overload relay FR	1
119	Column pin 8x30	2	172	Motor relay KM1	1